

**TOP-Kart®**



**DREAMER RT20 KZ**



# DREAMER RT20 KZ

## INDICE - INDEX

NOTE - NOTES	PAG. 2
CARATTERISTICHE TECNICHE - TECHNICAL FEATURES	PAG. 3 - 4
RICAMBI - SPARE PARTS : SCOCCA, GRUPPO LEVA CAMBIO, GRUPPO PIANTONE STERZO E LEVA FRIZIONE (DISEGNO 1) - CHASSIS, GEAR LEVER GROUP, STEERING COLUMN GROUP AND CLUTCH LEVER (DRAWING 1)	PAG. 5 - 8
RICAMBI - SPARE PARTS : GRUPPO STERZO, PEDALI, GRUPPO TENDICATENA (DISEGNO 2) - STEERING GROUP, PEDALS, CHAIN TIGHTENER GROUP (DRAWING 2)	PAG. 9 - 12
RICAMBI - SPARE PARTS : GRUPPO FRENANTE ANTERIORE, MOZZI ANTERIORI (DISEGNO 3) - FRONT BRAKE SYSTEM, FRONT WHEEL HUBS (DRAWING 3)	PAG. 13 - 14
RICAMBI - SPARE PARTS : PINZA FRENO ANTERIORE DESTRA (DISEGNO 3A) - FRONT RIGHT BRAKE CALIPER (DRAWING 3A)	PAG. 15 - 16
RICAMBI - SPARE PARTS : PINZA FRENO ANTERIORE SINISTRA (DISEGNO 3B) - FRONT LEFT BRAKE SYSTEM (DRAWING 3B)	PAG. 17 - 18
RICAMBI - SPARE PARTS : ASSALE E SUOI COMPONENTI, GRUPPO FRENANTE POSTERIORE, PEDANA (DISEGNO 4) - REAR AXLE AND ITS COMPONENTS, REAR BRAKE SYSTEM, FLOOR PANEL (DRAWING 4)	PAG. 19 - 22
RICAMBI - SPARE PARTS : DISCO FRENO POSTERIORE D.192 (DISEGNO 4A) - REAR BRAKE DISC D.192 (DRAWING 4A)	PAG. 23 - 24
RICAMBI - SPARE PARTS : PINZA FRENO POSTERIORE (DISEGNO 4B) - REAR BRAKE CALIPER (DRAWING 4B)	PAG. 25 - 26
RICAMBI - SPARE PARTS : ASTA FRENO, CAVO DI SICUREZZA FRENO (DISEGNO 4C/4D) - BRAKE BAR, SAFETY BRAKE CABLE (DRAWING 4C/4D)	PAG. 27 - 28
RICAMBI - SPARE PARTS : GRUPPO POMPA FRENO CON BILANCIATORE FRENATA (DISEGNO 5) - BRAKE PUMPS GROUP WITH BRAKING BALANCER (DRAWING 5)	PAG. 29 - 30
RICAMBI - SPARE PARTS : POMPA FRENO (DISEGNO 5A) - BRAKE PUMP (DRAWING 5A)	PAG. 31 - 32
RICAMBI - SPARE PARTS : BILANCIATORE FRENATA (DISEGNO 5B) - BRAKING BALANCER (DRAWING 5B)	PAG. 33 - 34
RICAMBI - SPARE PARTS : SERBATOIO, SEDILE, SUPPORTI VARI, PARACATENA (DISEGNO 6) - FUEL TANK, SEAT, SUPPORTS, CHAIN GUARD (DRAWING 6)	PAG. 35 - 38
RICAMBI - SPARE PARTS : CARENATURE, SPOILER ANTERIORE, SUPPORTI, BARRE DI TORSIONE (DISEGNO 7) - FAIRINGS, FRONT SPOILER, SUPPORTS, TORSION BARS (DRAWING 7)	PAG. 39 - 40
RICAMBI - SPARE PARTS : PARAURTI POSTERIORE, SUPPORTI MARMITTA, CERCHI RUOTA, SET COMPLETO ADESIVI (DISEGNO 8) - REAR BUMPER, MUFFLER SUPPORTS, WHEEL RIMS, COMPLETE STICKERS SET (DRAWING 8)	PAG. 41 - 42
RICAMBI - SPARE PARTS : COMPONENTI DEL SET ADESIVI (DISEGNO 8A) - STICKERS SET COMPONENTS (DRAWING 8A)	PAG. 43 - 44
RICAMBI - SPARE PARTS : APPOGGIAPIEDI (DISEGNO 9) - FOOT REST (DISEGNO 9)	PAG. 45 - 46
OPTIONALS	PAG. 47 - 56
ACCESSORI - ACCESSORIES	PAG. 57 - 58
INFORMAZIONI GENERALI E PREZZO TELAIO - GENERAL INFO AND CHASSIS PRICE	PAG. 59

\*\*\*\* LA NUMERAZIONE DEI COMPONENTI (Pos.) E' PROGRESSIVA

\*\*\*\* THE NUMBERING OF THE COMPONENTS (Pos.) IS PROGRESSIVE



**NOTE – NOTE**

A large area of the page is filled with horizontal dotted lines, providing a space for handwritten notes.

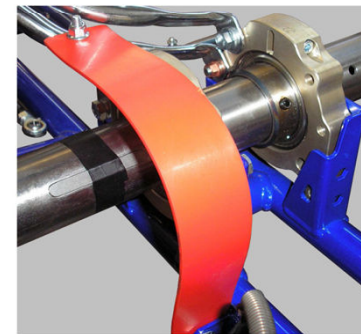
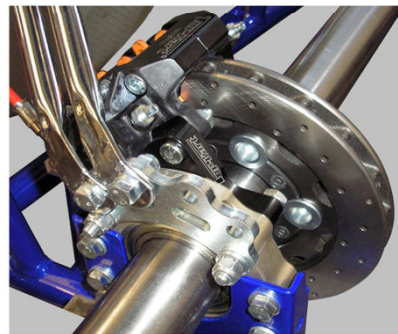
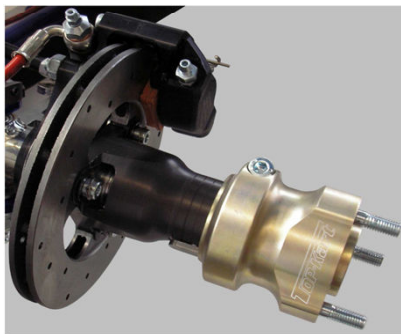
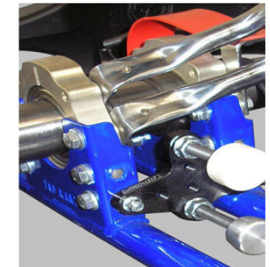
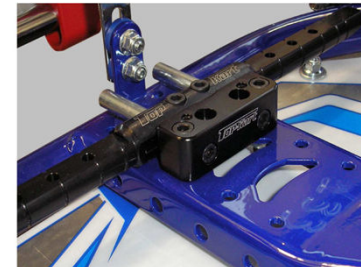


# DREAMER RT20 KZ

## CARATTERISTICHE - FEATURES

- \* Omologazione CIK/FIA : 011-CH-15 -- CIK/FIA homologation : 011-CH-15
- \* Scocca 25CrMo4 D.30/32mm -- Frame 25CrMo4 D.30/32mm
- \* Passo 1040mm -- Wheelbase 1040mm
- \* Assale D.50x1030x2 -- Rear Axle D.50x1030x2
- \* Flange portacuscinetto in magnesio -- Magnesium bearing flanges
- \* Altezza anteriore e posteriore regolabile -- Adjustable front and rear ride height
- \* Piantone con tre posizioni di sterzata -- Steering column with three Ackerman positions
- \* Pedali in alluminio anodizzato nero, con sistema a molla -- Aluminum pedals w / spring system
- \* Set ruote in magnesio TOP-KART 130-210 colore antracite-- Magnesium wheels set TOP-KART 130-210 anthracite color
- \* Mozzi ruota anteriori/posteriori in magnesio (ant.65mm, post. 115mm) -- Magnesium front/rear wheel hubs (ant.65mm, post. 115mm)
- \* Fuselli cromati con perno D.25mm -- Chrome stub axles with D.25mm shaft
- \* Impianto frenante V11, con recupero del gioco -- Self adjusting V11 brake system
- \* Supporto pinza freno in lega leggera anodizzato nero -- Light alloy brake caliper support black anodized
- \* Sedile IMAF F6 Silver con logo TOP-KART -- Seat IMAF F6 Silver with TOP-KART logo
- \* Serbatoio smontabile 9,0lt. -- Removable fuel tank 9,0lt.
- \* Volante in alcantara decorato TOP-KART, con supporto strumentazione -- TOP-KART decorated alcantara steering wheel, with computer support
- \* Spoiler anteriore KG 506 bianco perla, con sistema di aggancio CIK -- Front spoiler KG 506 pearl white, with CIK fixing system
- \* Carene laterali KG 506 bianco perla -- Side pods KG 506 pearl white
- \* Frontalino portanumero KG 506 bianco perla -- Nasa panel KG 506 pearl white
- \* Paraurti posteriore KG Clob Black -- Rear spoiler KG Clob Black
- \* Supporto marmitta in alluminio -- Aluminum muffler support
- \* Grafiche TOP-KART, incluso pianale e serbatoio -- TOP-KART graphics, including floor panel, and fuel tank
- \* Poggiatesta regolabile in alluminio anodizzato nero/bianco -- Adjustable aluminum foot rest black/white anodized









# DREAMER RT20 KZ (disegno 1) - (drawing 1)

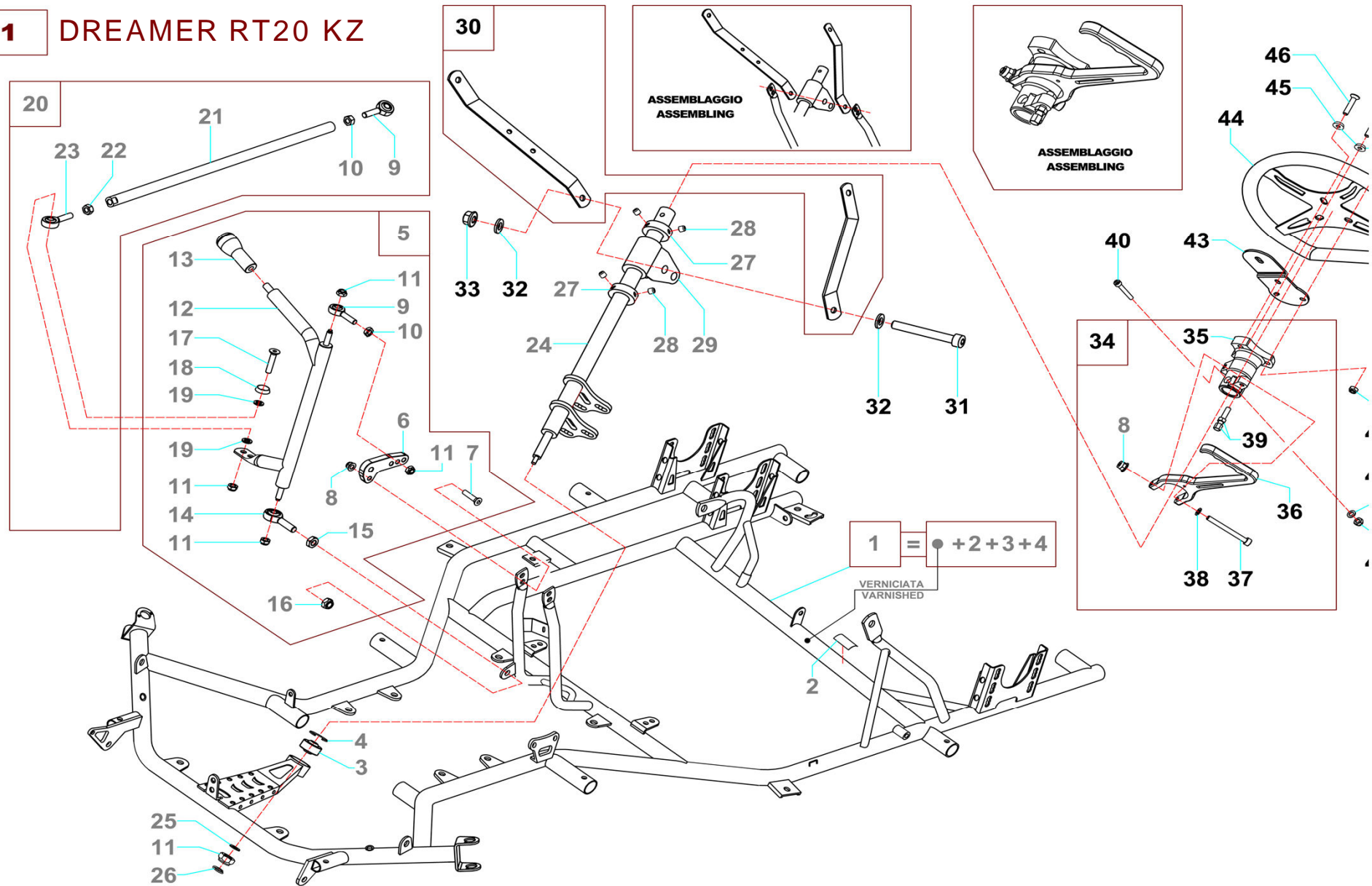
Pos.	Cod.	Descrizione	Description	Qt.	Unit Price KRW
1	1000-069-51	Scocca DREAMER RT20 KZ 30/32 verniciata con uniball, seeger e adesivo CIK 011-CH-15	Varnished frame DREAMER RT20 KZ 30/32 with uniball, seeger and sticker CIK 011-CH-15	1	1,820,000
2	1000-072-94	Adesivo omologa DREAMER 011-CH-15	DREAMER 011-CH-15 homologation sticker	1	9,500
3	1000-130	Uniball piantone sterzo foro 8mm	Steering column uniball 8mm hole	1	29,000
4	1000-131	Seeger int. D.22 per uniball piantone sterzo	Seeger D.22 for steering column uniball	1	1,000
5	1000-755-05	Leva cambio completa RT17	Complete RT17 shift lever	1	244,500
6	1000-715-04	Supporto leva cambio anodizz. nero e marchiato	Shift lever bracket black anodized and marked	1	43,500
7	1000-101	Vite TSPEI M6x25 zincata bianca	Screw TSPEI M6x25 white galvanized	1	1,000
8	1000-003	Dado flangiato autobloccante M6x9	Self locking flanged nut M6x9	2	1,000
9	1000-110	Uniball D.8 filetto maschio M8x28 destro	D.8 uniball right male M8x28 thread	2	36,000
10	1000-108	Dado M8x8 filetto destro	M8x8 right thread nut	2	1,000
11	1000-015	Dado autobloccante M8x8	Self locking nut M8x8	5	1,000
12	1000-755-04	Leva cambio RT17	RT17 Shift lever	1	88,000
13	1000-754-02	Pomello lungo leva cambio allum. anod. nero	Long alumin. shift lever knob black anodized	1	41,000
14	1000-110-05	Uniball spec. D.8 filetto maschio M10x30 destro	Special D.8 uniball right male M10x30 thread	1	67,000
15	1000-021-01	Dado M10x8	Nut M10x8	1	1,000
16	1000-031-02	Dado autobloccante M10x10	Self locking nut M10x10	1	1,500
17	1000-141	Vite TSPEI M8x40 zincata bianca	Screw TSPEI M8x40 white galvanized	1	1,500
18	1000-078	Rondella conica svasata D.8 alluminio	Conical countersunk aluminum washer D.8	1	4,500
19	1000-056	Rondella in ottone D.8,3xD.13,5x3	Brass washer D.8,3xD.13,5x3	2	3,500
20	1000-757-01	Asta cambio L=450mm completa	Complete shift rod L=450mm	1	114,500
21	1000-757	Asta cambio in allum. L=450mm anod. nera	Alumin. shift rod L=450mm black anodized	1	45,000
22	1000-128	Dado M8x8 filetto sinistro	M8x8 left thread nut	2	3,000
23	1000-125	Uniball D.8 filetto maschio M8x28 sinistro	D.8 uniball left male M8x28 thread	1	36,000
24	1000-748-03	Piant. sterzo doppia placca 43-D.20x69x28,5 L=480 RACING	Steering column double plate 43-D.20x69x28,5 L=480 RACING	1	98,000
24A**	1000-748-01	Piant. sterzo doppia placca 38 D.20x59x28,5 L=480	Steering column double plate 38 D.20x59x28,5 L=480		98,000
25	1000-036-04	Rondella piana D.8,4x13x1 zincata bianca	Flat washer D. 8,4x13x1 white galvanized	1	500
26	1000-197	Anello di arresto speciale D.4	Special lock ring D. 4	1	2,000
27	1000-749-01	Anello ferma piant. sterzo allum. anod. nero	Locking ring for steering column black anod.	2	15,000
28	1000-146	Grano M6x6 estremità conica zigrinata	Headless screw M6x6 conical knurled edge	4	3,000
29	1000-122-05	Supporto in Nylon blu piant. sterzo fori D.8,5	Steering column support Nylon blu holes D.8,5	1	8,000

\*\* OPTIONAL - Non fornito con il telaio/Not supplied with the chassis

continua a pag. 08  
continues on pag. 08

# DREAMER RT20 KZ (disegno 1) - (drawing 1)

## 1 DREAMER RT20 KZ



## **DREAMER RT20 KZ (disegno 1) - (drawing 1)**

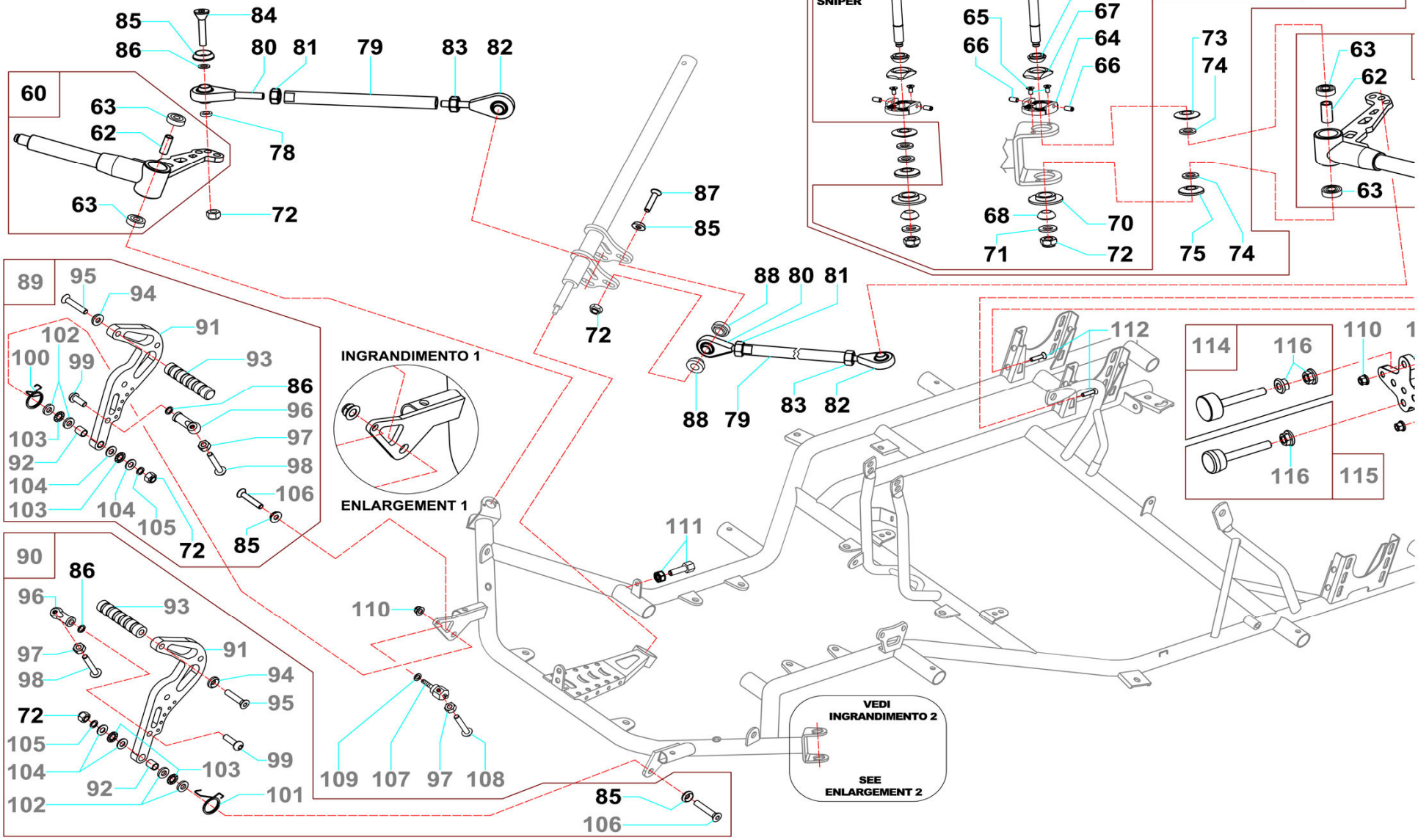
<b>Pos.</b>	<b>Cod.</b>	<b>Descrizione</b>	<b>Description</b>	<b>Qt.</b>	<b>Unit Price KRW</b>
30	1000-121-26	Kit supporti superiori frontalino	Front panel kit supports	1	40,000
31	1000-106-01	Vite TCEI M8x80 zincata bianca	Screw TCEI M8x80 white galvanized	1	4,500
32	1000-078-01	Rondella piana D.8xD.18x3 zincata bianca	Flat washer D.8xD.18x3 white galvanized	2	1,000
33	1000-015-01	Dado flangiato autobloccante M8x10,8	Self locking flanged nut M8x10,8	1	1,000
34	1000-751-01	Gruppo completo leva frizione KZ	Complete KZ clutch lever set	1	206,000
35	1000-750-02	Supporto volante KZ incl. 7° in all. anod. nero	7° inclined alu. KZ steering wheel supp. black anod.	1	93,500
36	1000-752-01	Leva frizione in alluminio anodizzata nera	Aluminum clutch lever black anodized	1	120,000
37	1000-753-02	Vite TCEI M6x60 zincata bianca	Screw TCEI M6x60 white galvanized	1	1,500
38	1000-150-01	Rondella piana D.6,5xD.10x1,5 zinc. bianca	Flat washer D.6.5xD.10x1,5 white galvanized	1	500
39	NORM-083	Vite registro cavo M6x28 con dado	Cable setting screw M6x28 with nut	1	6,500
40	1000-120	Vite TCEI M6x35 zincata bianca	Screw TCEI M6x35 white galvanized	1	1,000
41	NORM-038	Rondella piana D.6,5xD.12x1,6 zincata bianca	Flat washer D.6,5xD.12x1,6 white galvanized	1	1,000
42	1000-016	Dado autobloccante M6x6	Self locking nut M6x6	4	1,000
43	1000-103-06	Supporto strumentazione TOP 17	TOP 17 instruments support	1	40,000
44	1000-102-11	Volante D.340 in alcantara TOP 17 4R	Steering wheel D.340mm TOP 17 4R	1	219,000
44A**	1000-102-10	Volante D.330 in alcantara TOP 17 4R	Steering wheel D.330mm TOP 17 4R		219,000
45	1000-002	Rondella conica svasata D.6 alluminio	Conical countersunk aluminum washer D.6	3	4,000
46	1000-001	Vite TSPEI M6x20 zincata bianca	Screw TSPEI M6x20 white galvanized	2	1,000
47	1000-101	Vite TSPEI M6x25 zincata bianca	Screw TSPEI M6x25 white galvanized	2	1,000

\*\* OPTIONAL - Non fornito con il telaio/Not supplied with the chassis



# DREAMER RT20 KZ (disegno 2) - (drawing 2)

## 2 DREAMER RT20 KZ



## DREAMER RT20 KZ (disegno 2) - (drawing 2)

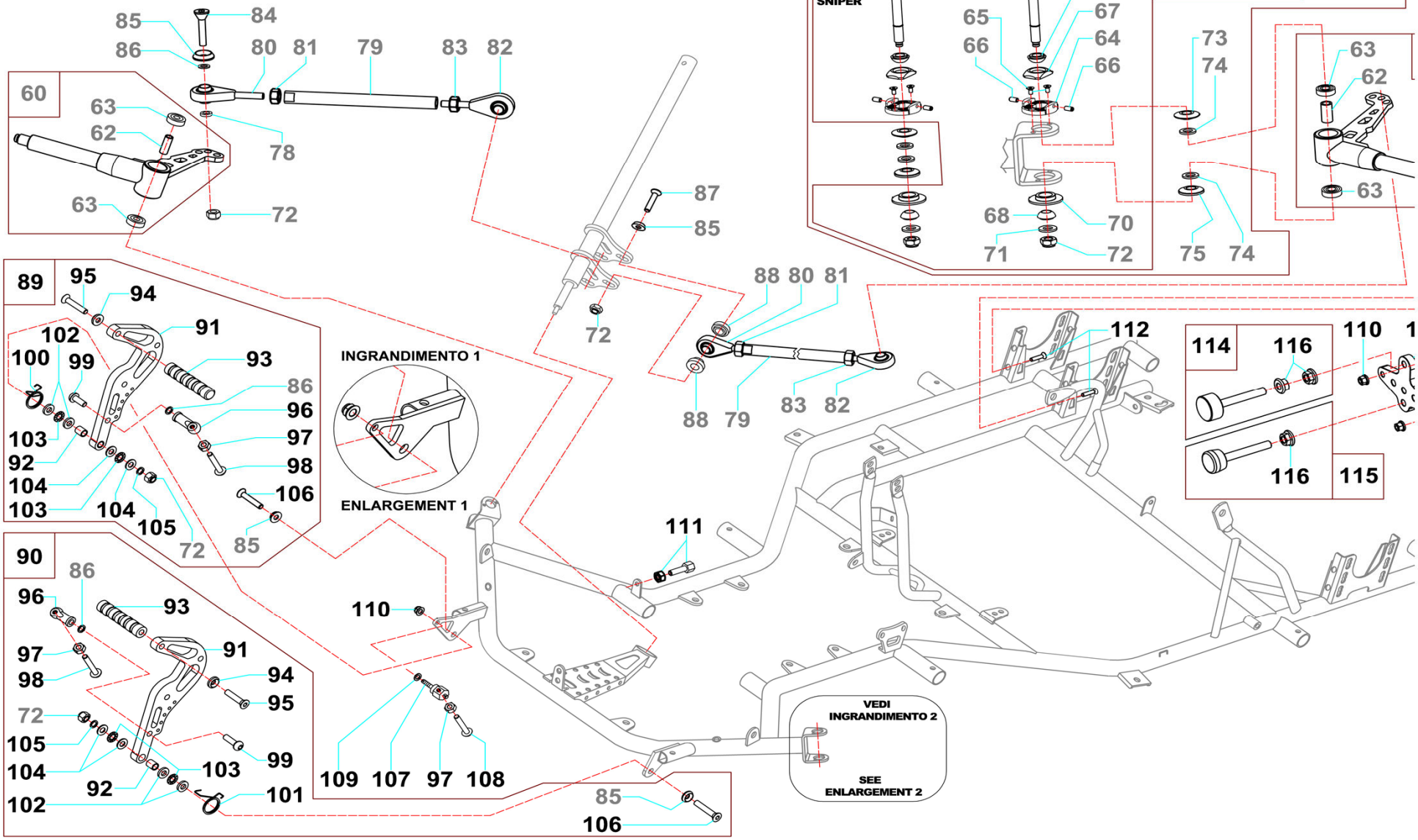
Pos.	Cod.	Descrizione	Description	Qt.	Unit Price KRW
60	1000-114-13	Fus. compl. destro vite M10 D.25x92,5 10,5°	Compl. right spindle wheel M10 screw D.25x92,5 10,5°		172,000
60A**	1000-114-38	Fus. compl. destro vite M10 D.25x92,5 10,75°	Compl. right spindle wheel M10 screw D.25x92,5 10,75°		246,000
61	1000-114-14	Fus. compl. sinistro vite M10 D.25x92,5 10,5°	Compl. left spindle wheel M10 screw D.25x92,5 10,5°		172,000
61A**	1000-114-39	Fus. compl. sinistro vite M10 D.25x92,5 10,75°	Compl. left spindle wheel M10 screw D.25x92,5 10,75°		246,000
62	1000-118-08	Distanz. cuscinetti fusello D.10,2xD.14X23,9	Spacer D.10,2xD.14x23,9 for spindle bearings	2	14,500
63	1000-117-01	Cuscinetto D.10xD.26x8 6000 ZZ	Bearing D.10xD.26x8 6000 ZZ	4	23,000
64	1000-116-06	Caster porta piastrina A - AFS.02352	Caster support A - AFS.02352	2	40,000
65	1000-115	Vite TSPEI M4x10 zincata bianca	Screw TSPEI M4x10 white galvanized	4	500
66	NORM-235-05	Grano M5x10 estremità piatta	Headless screw M5x10 flat edge	4	2,500
67	1000-116-07	Caster piastrina alta B - AFS.02353	Caster high B - AFS.02353	2	21,000
68	1010-FBG-68	Boccola mezza sfera D.10 - FZ0.02450	Bushing half caster D.10 - FZ0.02450	4	10,000
69	1010-FBG-51	Vite fusello M10x111 - FBN.02401	Stub axle bolt M10x111 - FBN.02401	2	18,000
70	1010-FBG-69	Boccola caster fisso - FZ0.01602	Fixed caster bush - FZ0.01602	2	21,500
71	1010-FBG-70	Rondella D.10xD.20x2 - AFN.01637	Washer D.10xD.20x2 - AFN.01637	2	1,000
72	1000-015	Dado autobloccante M8x8	Self locking nut M8x8	8	1,000
73	1010-FBG-48	Spessore biconico D.10xD.28x6 - FZ0.01719	Double cone spacer D.10xD.28x6 - FZ0.01719	2	11,000
74	1000-021-04	Rondella piana D.10,5xD.18x2 zincata bianca	Flat washer D.10,5xD.18x2 white galvanized	4	500
75	1010-FBG-47	Spess. piano/con. D.10xD.28x6 - FZ0.01607	Spacer flat/cone D.10xD.28x6 - FZ0.01607	2	11,000
76	1010-FBG-46	Set SNIPER D.10 - FK0.02352	SNIPER Set D.10 - FK0.02352	1	217,000
77	1010-FBG-49	Set completo SNIPER D.10	Complete Set SNIPER D.10	1	261,000
**		VEDERE OPTIONAL 1 PAG. 47/48	SEE OPTIONAL 1 PAGE 47/48		
78	1000-056	Rondella in ottone D.8,3xD.13,5x3	Brass washer D.8,3xD.13,5x3	2	3,500
79	1000-119-03	Braccetto sterzo L = 264mm D.13 anod. nero	Steering arm L = 264mm D.13 black anodized	2	24,500
80	1000-125	Uniball sterzo D.8 filetto maschio M8 sinistro	D.8 steering uniball left male M8 thread	2	36,000
81	1000-128	Dado M8x8 filetto sinistro	M8x8 left thread nut	2	3,000
82	1000-110	Uniball sterzo D.8 filetto maschio M8 destro	D.8 steering uniball right male M8 thread	2	36,000
83	1000-108	Dado M8x8 filetto destro	M8x8 right thread nut	2	1,000
84	1000-141	Vite TSPEI M8x40 zincata bianca	Screw TSPEI M8x40 white galvanized	2	1,500
85	1000-078	Rondella conica svasata D.8 alluminio	Conical countersunk aluminum washer D.8	6	4,500
86	1000-036-04	Rondella piana D.8,4x13x1 zincata bianca	Flat washer D. 8,4x13x1 white galvanized	4	500
87	NORM-026-01	Vite TSPEI M8x50 zincata bianca	Screw TSPEI M8x50 white galvanized	2	1,500
88	1000-104-07	Bussola distanziatrice	Spacing bush	4	7,000

\*\* OPTIONAL - Non fornito con il telaio/Not supplied with the chassis

continua a pag. 12  
continues on pag. 12

# DREAMER RT20 KZ (disegno 2) - (drawing 2)

## 2 DREAMER RT20 KZ

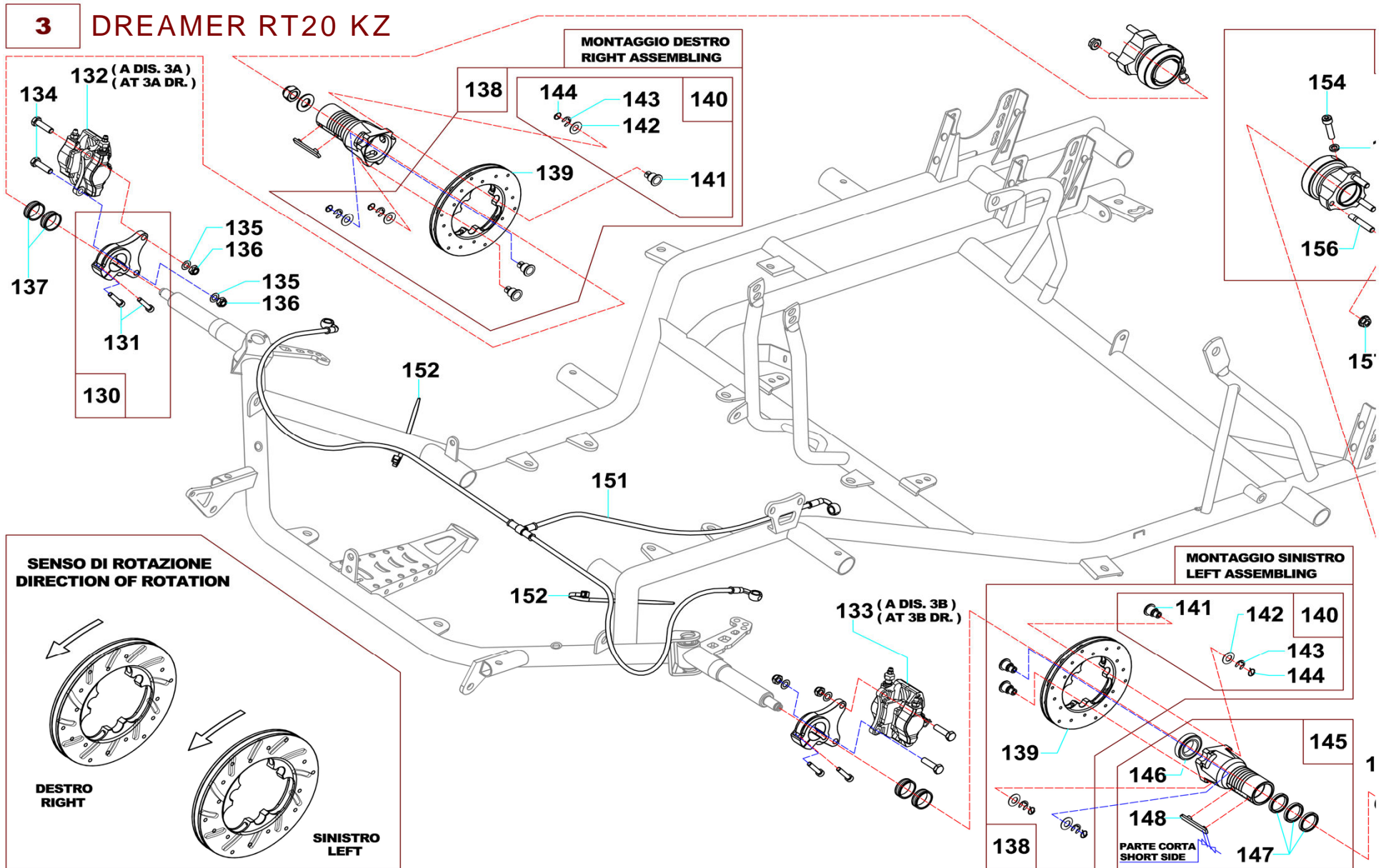


## **DREAMER RT20 KZ (disegno 2) - (drawing 2)**

<b>Pos.</b>	<b>Cod.</b>	<b>Descrizione</b>	<b>Description</b>	<b>Qt.</b>	<b>Unit Price KRW</b>
89	1000-007-09	Pedale acceler. compl. in allum. anod. nero	Compl. alumin. acceler. pedal black anodized	1	145,000
90	1000-057-05	Pedale freno compl. in allum. anod. nero	Compl. alumin. brake pedal black anodized	1	145,000
91	1000-007-15	Corpo pedale acceleratore e freno	Accelerator and brake body pedal	2	151,000
92	1000-715-01	Gabbia a rulli D.8xD.12x10 Hk0810	Roller cage D.8xD.12x10 HK0810	2	14,500
93	1000-076-17	Barra in alluminio D.20x92 anodizzata nera	Aluminum bar D.20x92 black anodized	2	31,500
94	1000-007-16	Rondella conica allum. D.8xD.20 anod. nera	Conical counters. alum. Wash.D.8xD.20 black an.	2	6,000
95	1000-019-01	Vite TSPEI M8x35 zincata bianca	Screw TSPEI M8x35 white galvanized	2	1,000
96	1000-055-03	Colonna per vite registro ritorno pedale	Column for screw register pedal return	2	14,000
97	1000-005	Dado M6x6	M6x6 nut	3	500
98	NORM-003-06	Vite TBEI M6x50 zincata bianca	Screw TBEI M6x50 white galvanized	2	1,500
99	NORM-003-08	Vite TBEI M8x18 zincata bianca	Screw TBEI M8x18 white galvanized	2	1,500
100	1000-055-04	Molla richiamo pedale acceleratore	Return spring accelerator pedal	1	16,500
101	1000-055-05	Molla richiamo pedale freno	Return spring brake pedal	1	16,500
102	NORM-048-13	Ralla D.8xD.20x1 AS0821	Washer D.8xD.20x1 AS0821	4	5,000
103	NORM-042-09	Gabbia assiale D.8xD.21x2 AXK0821	Axial cage D.8xD.21x2 AXK0821	4	14,500
104	NORM-048-14	Ralla D.8xD.20x2,75 LS0821	Washer D.8xD.20x2,75 LS0821	4	9,500
105	1000-152-03	Rondella piana D.8,4x15x1,5 zincata bianca	Flat washer D. 8,4x15x1,5 white galvanized	2	9,500
106	1000-141-01	Vite TSPEI M8x45 zincata bianca	Screw TSPEI M8x45 white galvanized	2	1,500
107	1000-057-15	Boccola porta vite registro M6x20	Register screw bush M6x20	1	17,000
108	1000-073-01	Vite flangiata TBEI M6x40 zincata bianca	Flanged screw TBEI M6x40 white galvanized	1	1,500
109	NORM-038	Rondella piana D.6,5xD.12x1,6 zincata bianca	Flat washer D.6,5xD.12x1,6 white galvanized	1	1,000
110	1000-003	Dado flangiato autobloccante M6x9	Self locking flanged nut M6x9	3	1,000
111	1000-044	Vite registro cavo con dado	Cable setting screw with nut	1	5,500
112	1000-101	Vite TSPEI M6x25 zincata bianca	Screw TSPEI M6x25 white galvanized	2	1,000
113	1000-763-05	Supporto tendi catena anod. nero e marchiato	Chain tightener support black anodized and marked	1	82,000
114	1000-762-06	Tampone compl. tendicatena in nylon M10x70	Complete nylon chain tightener buffer M10x70	1	36,500
115	1000-762-05	Tampone compl. tendicatena in allu. M10x70	Complete aluminum chain tightener buffer M10x70	1	43,000
116	1000-021-03	Dado flangiato M10x10 zigrinato	Nut M10x10 with knurled flange	3	1,500



# DREAMER RT20 KZ (disegno 3) - (drawing 3)





## DREAMER RT20 KZ (disegno 3) - (drawing 3)

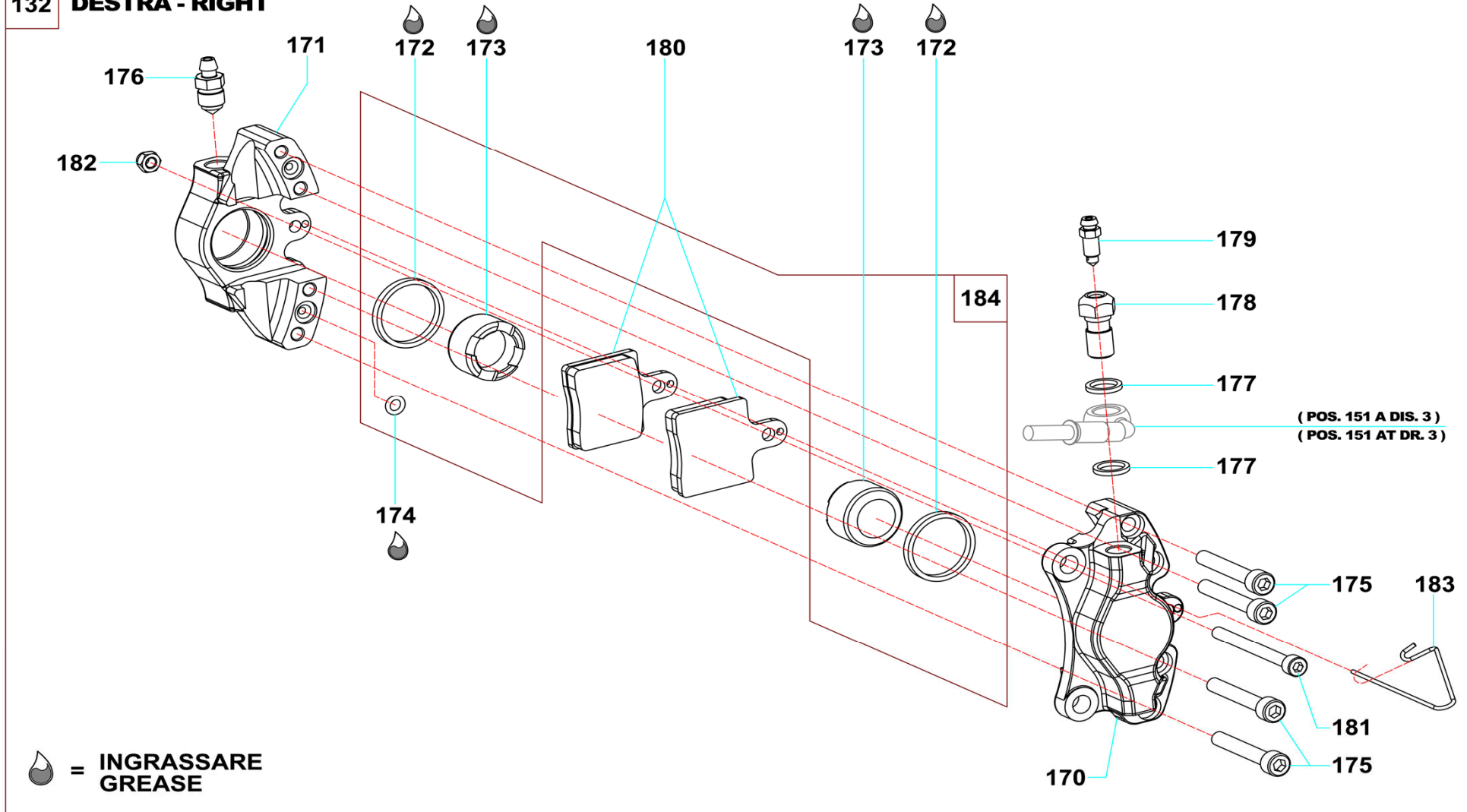
<b>Pos.</b>	<b>Cod.</b>	<b>Descrizione</b>	<b>Description</b>	<b>Qt.</b>	<b>Unit Price KRW</b>
130	1000-508-14	Supporto pinza freno anter. destro e sinistro completo anod. Nero e marchiato	Front right and left brake caliper support black anodized and marked	2	129,000
131	1000-004-01	Vite TCEI M6x30 brunita	Screw TCEI M6x30 burnished	4	1,000
132	1010-FBG-08	Pinza freno anteriore destra completa V11 FM0.4412D	Complete front right brake caliper V11 FM0.4412D	1	467,000
133	1010-FBG-09	Pinza freno anteriore sinistra completa V11 FM0.4412S	Complete front left brake caliper V11 FM0.4412S	1	467,000
134	NORM-001	Vite TE M8x30 zincata bianca	Screw TE M8x30 white galvanized	4	500
135	1000-133-01	Rondella ondulata D.8xD.15x0,5	Wave washer D.8xD.15x0,5	4	1,000
136	1000-158-01	Dado autobloccante M8x8 metal block	Self locking nut M8x8 metal block	4	1,000
137	1000-113-03	Spessore mozzo D.25xD.30x10 in alluminio	Aluminum hub spacer D.25xD.30x10	4	6,500
138	1010-FBG-119	Disco freno anteriore destro/sinistro completo autov. flott. Ø154 V11	Complete right/left front vent/float. disc Ø154 V11	2	252,000
139	1010-FBG-60	Disco freno anteriore nudo autoventil. flottante Ø154X13 V11 - FL1.04225	Front right/left ventilated floating disc Ø154x13 only V11 - FL1.04225	2	197,000
140	1010-FBG-17	Bussola disco anteriore completa FK0.00372	Complete front disc float bush FK0.00372	6	24,000
141	1010-FBG-11	Bussola disco anteriore SBN.00372	Front disc float bush SBN.00372	6	31,500
142	1010-FBG-26	Rondella elastica D.10,2xD.20x1 AFN.00230	Elastic washer D.10,2xD.20x1 AFN.00230	6	2,000
143	1000-147-02	Anello di arresto Benzing D.8	Lock ring Benzing D.8	6	1,000
144	1000-147-05	Molla di sicurezza D.i.10x1	Safety spring D.i.10x1	6	3,000
145	1010-FBG-73	Mozzo anteriore in Ergal Ø40x111 completo	Complete Ergal front hub Ø40x111	2	266,000
146	1000-093-05	Cuscinetto D.25xD.42x9 6905 ZZ	Bearing D.25xD.42x9 6905 ZZ	2	18,000
147	1000-093-06	Cuscinetto D.25xD.32x4 6705 2RS	Bearing D.25xD.32x4 6705 2RS	6	19,500
148	1000-153-03	Chiavetta speciale 2 pioli Ø7,2 - 8x55	Special key 2 pegs Ø7,2 - 8x55	2	28,000
149	1000-111-02	Rondella conica D.14xD.29,3x3 zinc. bian.	Conical washer D.14xD.29,3x3 white galvan.	2	4,500
150	1000-111	Dado autobloccante M14x1,5x14	Self locking nut M14x1,5x14	2	3,000
151	1010-FBG-12	Tubo freno anteriore AFS.00336	Front brake tube AFS.00336	1	163,000
152	1000-177	Fascetta plastica 4,5 L=200	Plastic cable tie 4,5 L=200	3	1,000
152A**	1000-177-01	Confezione di n°100 fascette plastiche 4,5 L=200	Package of n°100 plastic cable ties 4,5 L=200		37,000
153	1000-143-28	Mozzo ruota anter. magnesio compl. D.40x65	Compl. magnesium front wheel hub D.40x65	2	91,000
153A**	1000-143-41	Mozzo ruota anter. magnesio compl. D.40x85	Compl. magnesium front wheel hub D.40x85		97,000
154	1000-036-01	Vite TCEI M8x35 zincata bianca	Screw TCEI M8x35 white galvanized	2	500
155	1000-056	Rondella in ottone D.8,3xD.13,5x3	Brass washer D.8,3xD.13,5x3	2	3,500
156	1000-152	Prigioniero ruote M8x37	Wheel hub M8x37	6	3,000
157	1000-015-03	Dado flangiato autobloccante M8 ch.10	Self locking flanged nut M8 key 10	6	4,500

\*\* OPTIONAL - Non fornito con il telaio/Not supplied with the chassis

# DREAMER RT20 KZ (disegno 3A) - (drawing 3A)

## 3A DREAMER RT20 KZ

### 132 DESTRA - RIGHT



## **DREAMER RT20 KZ (disegno 3A) - (drawing 3A)**

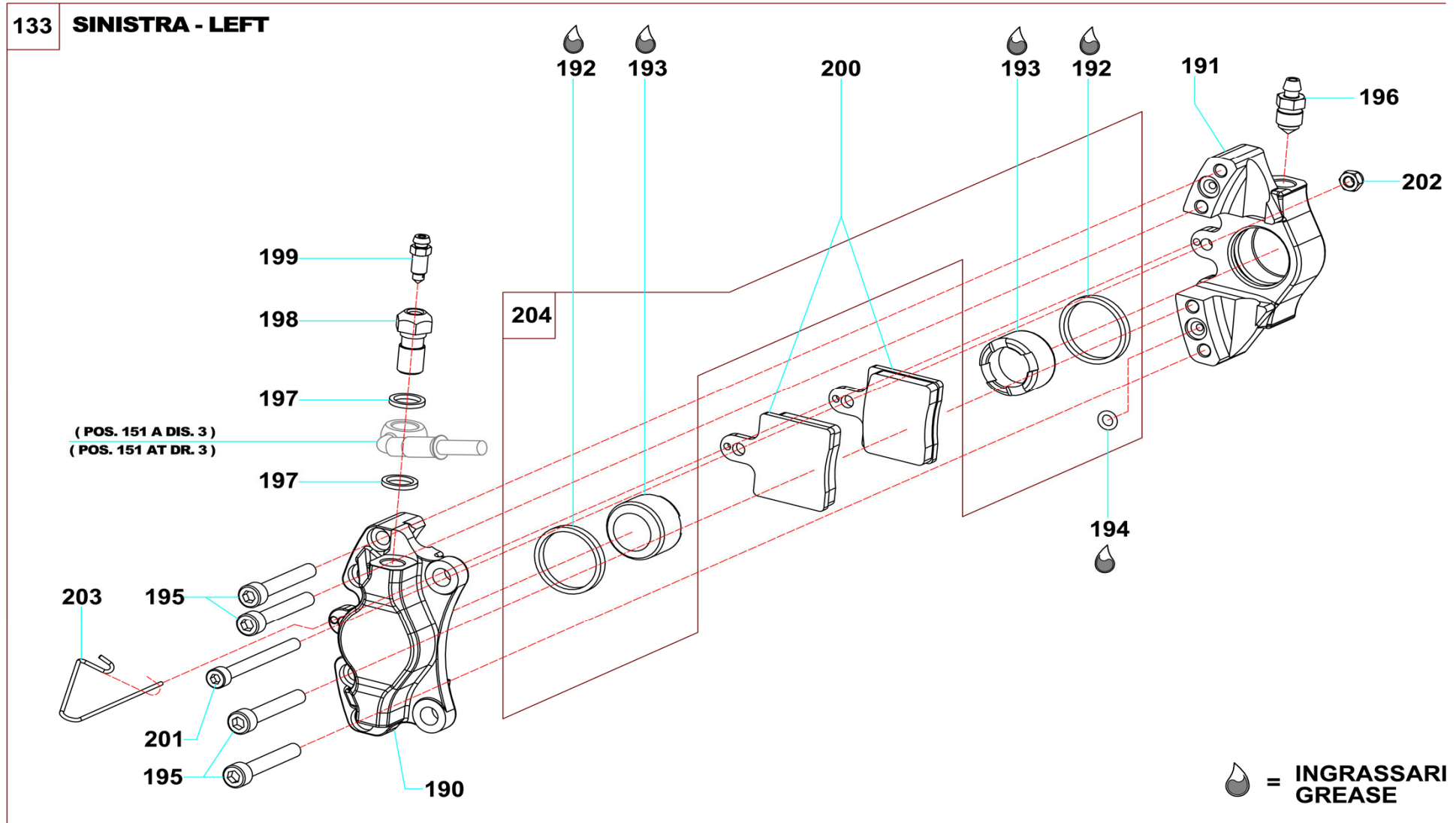
<b>Pos.</b>	<b>Cod.</b>	<b>Descrizione</b>	<b>Description</b>	<b>Qt.</b>	<b>Unit Price KRW</b>
170	1010-FBG-120	Semicorpo interno pinza freno anteriore destra SDN.0365D	Half internal right front brake caliper SDN.0365D	1	166,500
171	1010-FBG-121	Semicorpo esterno pinza freno anteriore destra SDN.0364D	Half external right front brake caliper SDN.0364D	1	166,500
172	1010-FBG-15	Gommino pistoncino D.26 - AFS.00179	Piston seal D.26 - AFS.00179	2	9,000
173	1010-FBG-42	Pistoncino pinza freno D.26 - SD1.00370	Brake caliper piston D.26 - SD1.00370	2	33,500
174	1010-FBG-124	O-Ring pinza freno - AFN.03814	Brake caliper O-Ring - AFN.03814	1	2,000
175	1000-049	Vite TCEI M6x40 zincata bianca - AFN.00368	Screw TCEI M6x40 white galv. - AFN.00368	4	1,000
176	1010-FBG-96	Spurgo M10 - SZ0.00184	Bleeder M10 - SZ0.00184	1	6,000
177	1010-FBG-65	Rondella in rame D.10,5xD.14x2 - AFN.00186	Copper washer D.10,5xD.14x2 - AFN.00186	2	2,000
178	1010-FBG-125	Raccordo per spurgo M10 - SZ0.00308	Bleeder fitting M10 - SZ0.00308	1	8,000
179	1010-FBG-126	Spurgo M6 - SZ0.00309	Spurgo M6 - SZ0.00309	1	6,000
180	1010-FBG-135	Pastiglia anteriore NERA - AFS.04915	Front pad BLACK - AFS.04915	2	47,500
180A**	1010-FBG-92	Pastiglia anteriore ROSSA - AFS.02997	Front pad RED - AFS.02997		48,000
181	1000-171-02	Vite TCEI M5x55 zincata bianca - AFN.00367	Screw TCEI M5x55 white galv. - AFN.00367	1	1,500
182	NORM-050	Dado autobloccante M5x4 - AFN.00360	Self cocking nut M5x4 - AFN.00360	1	2,000
183	1010-FBG-89	Spina di sicurezza - AFS.00187	Safety pin - AFS.00187	1	6,000
184	1010-FBG-127	Kit revisione pinza anter. - CRG.00364	Repair kit front caliper - CRG.00364	1	57,000

\*\* OPTIONAL - Non fornito con il telaio/Not supplied with the chassis

# DREAMER RT20 KZ (disegno 3B) - (drawing 3B)

## 3B DREAMER RT20 KZ

### 133 SINISTRA - LEFT



## **DREAMER RT20 KZ (disegno 3B) - (drawing 3B)**

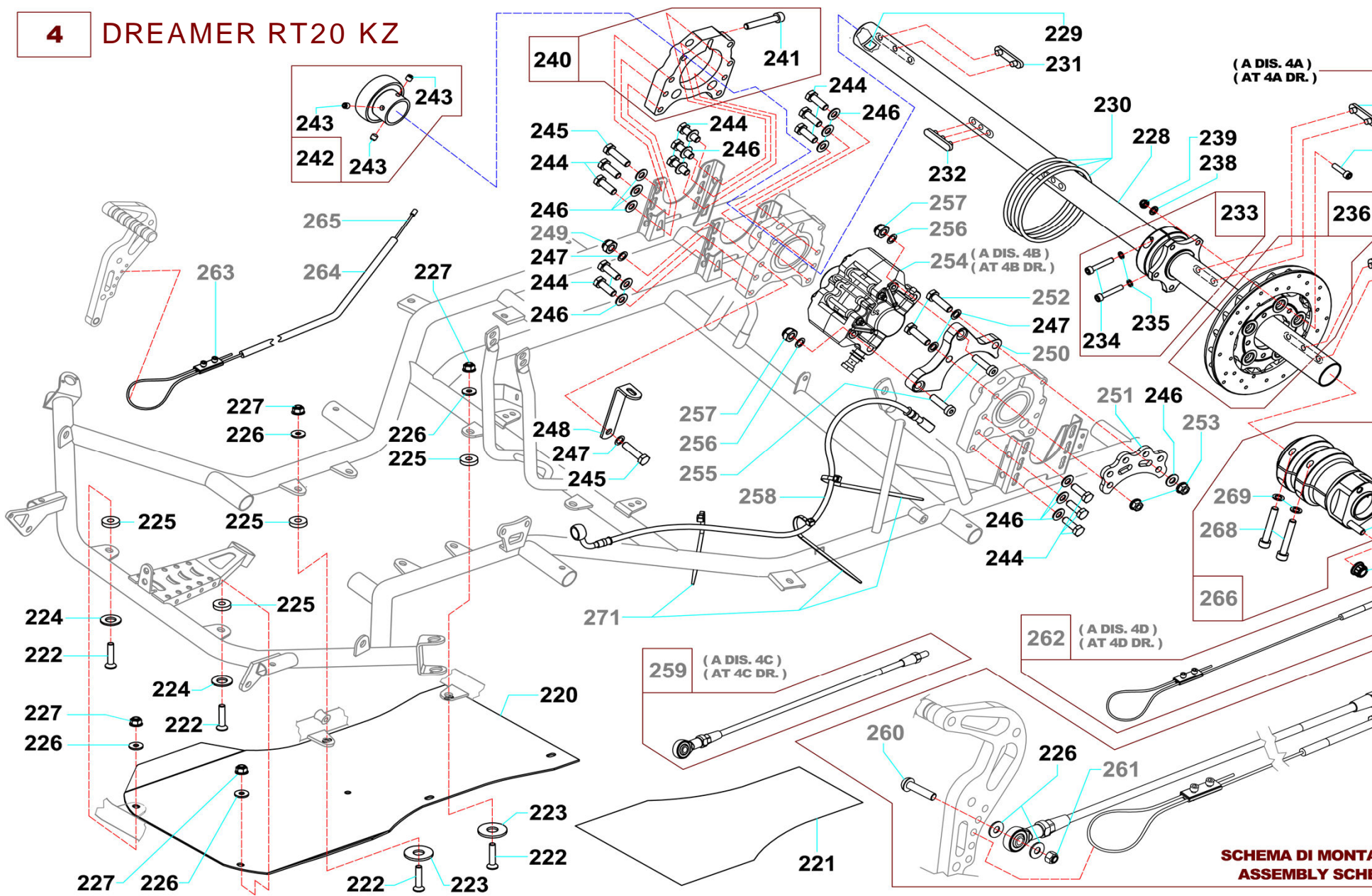
<b>Pos.</b>	<b>Cod.</b>	<b>Descrizione</b>	<b>Description</b>	<b>Qt.</b>	<b>Unit Price KRW</b>
190	1010-FBG-122	Semicorpo interno pinza freno anteriore sinistra SDN.0365S	Half internal left front brake caliper SDN.0365S	1	166,500
191	1010-FBG-123	Semicorpo esterno pinza freno anteriore sinistra SDN.0364S	Half external left front brake caliper SDN.0364S	1	166,500
192	1010-FBG-15	Gommino pistoncino D.26 - AFS.00179	Piston seal D.26 - AFS.00179	2	9,000
193	1010-FBG-42	Pistoncino pinza freno D.26 - SD1.00370	Brake caliper piston D.26 - SD1.00370	2	33,500
194	1010-FBG-124	O-Ring pinza freno - AFN.03814	Brake caliper O-Ring - AFN.03814	1	2,000
195	1000-049	Vite TCEI M6x40 zincata bianca - AFN.00368	Screw TCEI M6x40 white galv. - AFN.00368	4	1,000
196	1010-FBG-96	Spurgo M10 - SZ0.00184	Bleeder M10 - SZ0.00184	1	6,000
197	1010-FBG-65	Rondella in rame D.10,5xD.14x2 - AFN.00186	Copper washer D.10,5xD.14x2 - AFN.00186	2	2,000
198	1010-FBG-125	Raccordo per spurgo M10 - SZ0.00308	Bleeder fitting M10 - SZ0.00308	1	8,000
199	1010-FBG-126	Spurgo M6 - SZ0.00309	Spurgo M6 - SZ0.00309	1	6,000
200	1010-FBG-135	Pastiglia anteriore NERA - AFS.04915	Front pad BLACK - AFS.04915	2	47,500
200A**	1010-FBG-92	Pastiglia anteriore ROSSA - AFS.02997	Front pad RED - AFS.02997		48,000
201	1000-171-02	Vite TCEI M5x55 zincata bianca - AFN.00367	Screw TCEI M5x55 white galv. - AFN.00367	1	1,500
202	NORM-050	Dado autobloccante M5x4 - AFN.00360	Self cocking nut M5x4 - AFN.00360	1	2,000
203	1010-FBG-89	Spina di sicurezza - AFS.00187	Safety pin - AFS.00187	1	6,000
204	1010-FBG-127	Kit revisione pinza anter. - CRG.00364	Repair kit front caliper - CRG.00364	1	57,000

\*\* OPTIONAL - Non fornito con il telaio/Not supplied with the chassis



# DREAMER RT20 KZ (disegno 4) - (drawing 4)

## 4 DREAMER RT20 KZ



SCHEMA DI MONTA  
ASSEMBLY SCHE



## DREAMER RT20 KZ (disegno 4) - (drawing 4)

Pos.	Cod.	Descrizione	Description	Qt.	Unit Price KRW
220	1000-063-31	Pedana DREAMER RT17 senza adesivi	Floor panel DREAMER RT17 without stickers	1	132,000
221	1000-072-10	Adesivo pedana TOP 17 universale	Universal floor panel sticker TOP 17	1	145,000
222	1000-101	Vite TSPEI M6x25 zincata bianca	Screw TSPEI M6x25 white galvanized	6	1,000
223	1000-031-01	Rondella piana D.10,5xD.30x2,5 zinc. bianca	Flat washer D.10,5x30x2,5 white galvanized	4	1,000
224	1000-021-04	Rondella piana D.10,5xD.18x2 zincata bianca	Flat washer D.10,5xD.18x2 white galvanized	2	500
225	1000-061	Rondella piana in gomma D.5,7xD.20x4 blu	Flat rubber washer D.5,7xD.20x4 blu	6	1,000
226	1000-062	Rondella piana D.6,5x18x2 zincata bianca	Flat washer D. 6,5x18x2 white galvanized	8	1,000
227	1000-003	Dado flangiato autobloccante M6x9	Self locking flanged nut M6x9	6	1,000
228	1000-138-15	Assale KZ D.50x1030x2 ROSSO - SUPER DURO	Rear KZ Axle D.50x1030x2 RED - SUPER HARD	1	270,000
228A**	1000-138-30	Assale KZ D.50x1030x2 BLU - MEDIO	Rear KZ Axle D.50x1030x2 BLUE - MEDIUM		270,000
228B**	1000-138-32	Assale KZ D.50x1030x2 VERDE - DURO	Rear KZ Axle D.50x1030x2 GREEN - HARD		270,000
229**	1000-072-20	Bollino adesivo CIK-FIA assale	CIK-FIA rear axle sticker		23,000
230	1000-917	OR Ø120x5 NBR	OR Ø120x5 NBR	3	5,000
231	1000-153-01	Chiavetta a 2 pioli Ø7,2 - 8x60	Key 2 pegs Ø7,2 - 8x60	3	21,000
232	1000-153-02	Chiavetta a 3 pioli Ø7,2 - 8x60	Key 3 pegs Ø7,2 - 8x60	1	23,000
233	1010-FBG-03	Mozzo porta disco D.50 completo alluminio V05/09/11 - FMN.00238	Complete D.50 aluminum disc hub V05/09/11 - FMN.00238	1	109,000
234	1000-049	Vite TCEI M6x40 zincata bianca	Screw TCEI M6x40 white galvanized	2	1,000
235	1000-150-01	Rondella piana D.6,5xD.10x1,5 zincata bianca	Flat washer D.6,5xD.10x1,5 white galvanized	2	500
236	1010-FBG-100	Disco freno comp. autov. flott. Ø192 - V11 destro	Complete right vent./float. disc Ø192 - V11	1	291,000
	**	VEDERE OPTIONAL 2 PAG. 49/50	SEE OPTIONAL 2 PAGE 49/50		
237	NORM-098-01	Vite TCEI M6x20 brunita	Screw TCEI M6x20 burnished	5	1,500
238	1000-133	Rondella ondulata D.6xD.12x0,5	Wave washer D.6xD.12x0,5	5	1,000
239	1000-158	Dado autobloccante M6x6 metal block	Self locking nut M6x6 metal block	5	1,000
240	1000-139-12	Flangia in magnesio D.int.80 compl. march.	Compl.magnesium flange int. D.80 marked	3	116,500
241	1000-004	Vite TCEI M6x30 zincata bianca	Screw TCEI M6x30 white galvanized	3	1,000
242	1000-135-08	Cuscinetto assale D.50xD.80x36,5 C4	Axle bearing D.50xD.80x36,5 C4	3	53,500
243	1000-146-03	Grano M8x1x8 estremità conica zigrinata	Headless screw M8x1x8 conical knurled edge	9	7,500
244	NORM-054	Vite TE M8x25 zincata bianca	Screw TE M8x25 white galvanized	16	1,000
245	1000-140-01	Vite TE M8x40 zincata bianca	Screw TE M8x40 white galvanized	2	1,000
246	1000-078-01	Rondella piana D.8xD.18x3 zincata bianca	Flat washer D.8xD.18x3 white galvanized	18	1,000
247	1000-152-03	Rondella piana D.8,4x15x1,5 zincata bianca	Flat washer D. 8,4x15x1,5 white galvanized	4	1,000
248	1000-014-01	Supporto paracatena	Chain guard support	1	13,500

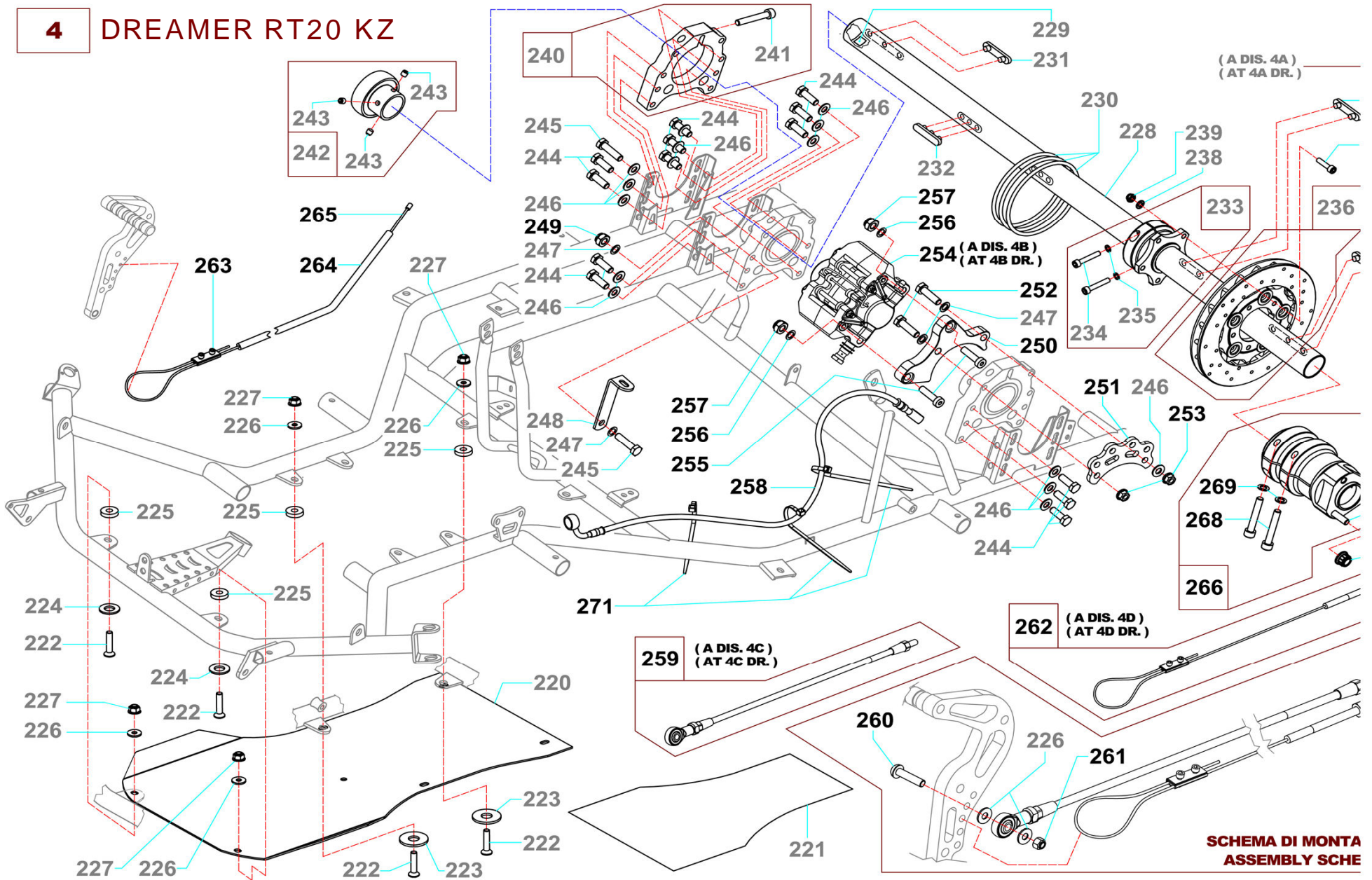
\*\* OPTIONAL - Non fornito con il telaio/Not supplied with the chassis

continua a pag. 22  
continues on pag. 22



# DREAMER RT20 KZ (disegno 4) - (drawing 4)

## 4 DREAMER RT20 KZ



SCHEMA DI MONTA  
ASSEMBLY SCHE

**TOP-Kart**

## DREAMER RT20 KZ (disegno 4) - (drawing 4)

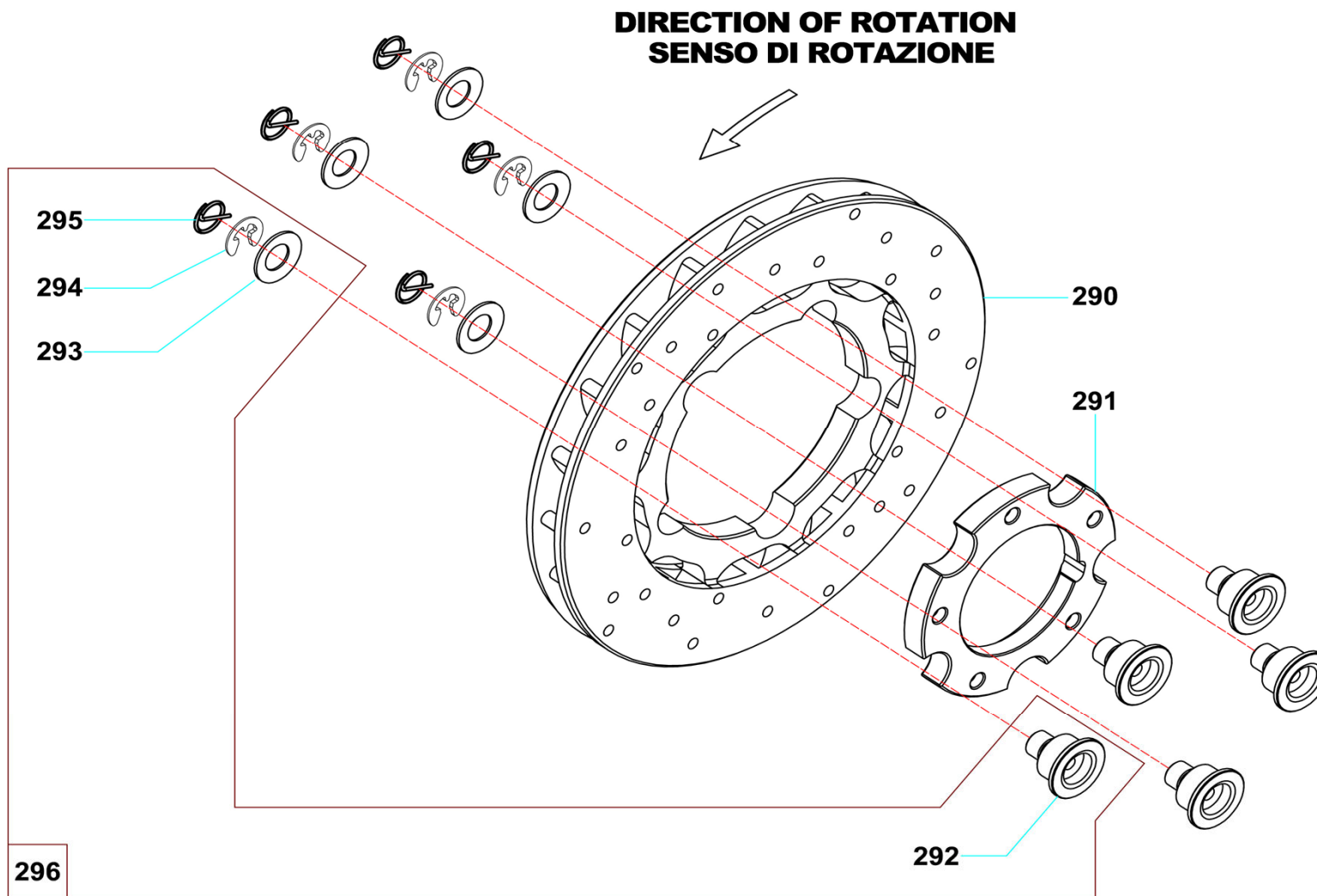
<b>Pos.</b>	<b>Cod.</b>	<b>Descrizione</b>	<b>Description</b>	<b>Qt.</b>	<b>Unit Price KRW</b>
249	1000-015	Dado autobloccante M8x8	Self locking nut M8x8	1	1,000
250	1000-502-02	Supp. pinza freno V05/09/11 ergal nero e march.	Brake caliper support V05/09/11 ergal black and marked	1	53,000
251	1000-034-07	Supporto staffe sedile in acciaio	Steel brackets seat support	1	16,500
252	1000-140-05	Vite TE M8x60 zincata bianca	Screw TE M8x60 white galvanized	2	1,000
253	1000-015-01	Dado flangiato autobloccante M8x10,8	Self locking flanged nut M8x10,8	2	1,000
254	1010-FBG-31	Pinza freno posteriore completa V09/11 FM0.01800	Complete rear brake caliper V09/11 FM0.01800	1	627,500
255	1000-036-06	Vite testa ribassata TCEI M8x35 zinc. bianca	Lowered head screw TCEI M8x35 white galvan.	2	1,500
256	1000-133-01	Rondella ondulata D.8xD.15x0,5	Wave washer D.8xD.15x0,5	2	1,000
257	1000-158-01	Dado autobloccante M8x8 metal block	Self locking nut M8x8 metal block	2	1,000
258	1010-FBG-06	Tube freno posteriore V05/09/10 L=720mm AFS.00240	Rear brake tube V05/09/10 L=720mm AFS.00240	1	400,500
259	1000-230-12	Asta freno completa L=450mm INOX	Complete brake bar L=450mm INOX	1	61,000
260	NORM-003-07	Vite TBEI M6x30 zincata bianca	Screw TBEI Mx30 white galvanized	1	1,000
261	1000-016	Dado autobloccante M6x6	Self locking nut M6x6	1	1,000
262	1000-211-01	Cavo secur. D.1,9x580 con filetto M6x70 compl.	Complete safety cable D.1,9x580 with thread M6x70	1	8,500
263	1000-008-01	Morsetto per cavo con viti	Clamp for cable with screws	1	15,500
264	1000-043-02	Guaina cavo acceler. D.5,3 L = 1110mm nera	Acceler. cable sheath D.5,3 L = 1110mm black	1	6,900
265	1000-042	Cavo acceleratore millefili L = 1600mm	Accelerator cable L = 1600mm	1	7,500
266	1000-143-30	Mozzo poster. ruota compl. D.50x115 magnesio doppia vite marchiato	Complete rear magnesium wheel hub D.50x115 double screw marked	2	121,000
**		VEDERE OPTIONAL 5 PAG. 55/56	SEE OPTIONAL 5 PAGE 55/56		
267	1000-152	Prigioniero ruote M8x37	Wheel hub M8x37	6	3,000
268	NORM-030-01	Vite TCEI M8x40 zincata bianca	Screw TCEI M8x40 white galvanized	4	1,000
269	1000-056	Rondella in ottone D.8,3xD.13,5x3	Brass washer D.8,3xD,13,5x3	4	3,500
270	1000-015-03	Dado flangiato autobloccante M8 ch.10	Self locking flanged nut M8 key 10	6	4,500
271	1000-177	Fascetta plastica 4,5 L=200	Plastic cable tie 4,5 L=200	3	1,000
271A**	1000-177-01	Confezione di n°100 facsette plastiche 4,5 L=200	Package of n°100 plastic cable ties 4,5 L=200		37,000

\*\* OPTIONAL - Non fornito con il telaio/Not supplied with the chassis

# DREAMER RT20 KZ (disegno 4A) - (drawing 4A)

## 4A DREAMER RT20 KZ

236 Ø192





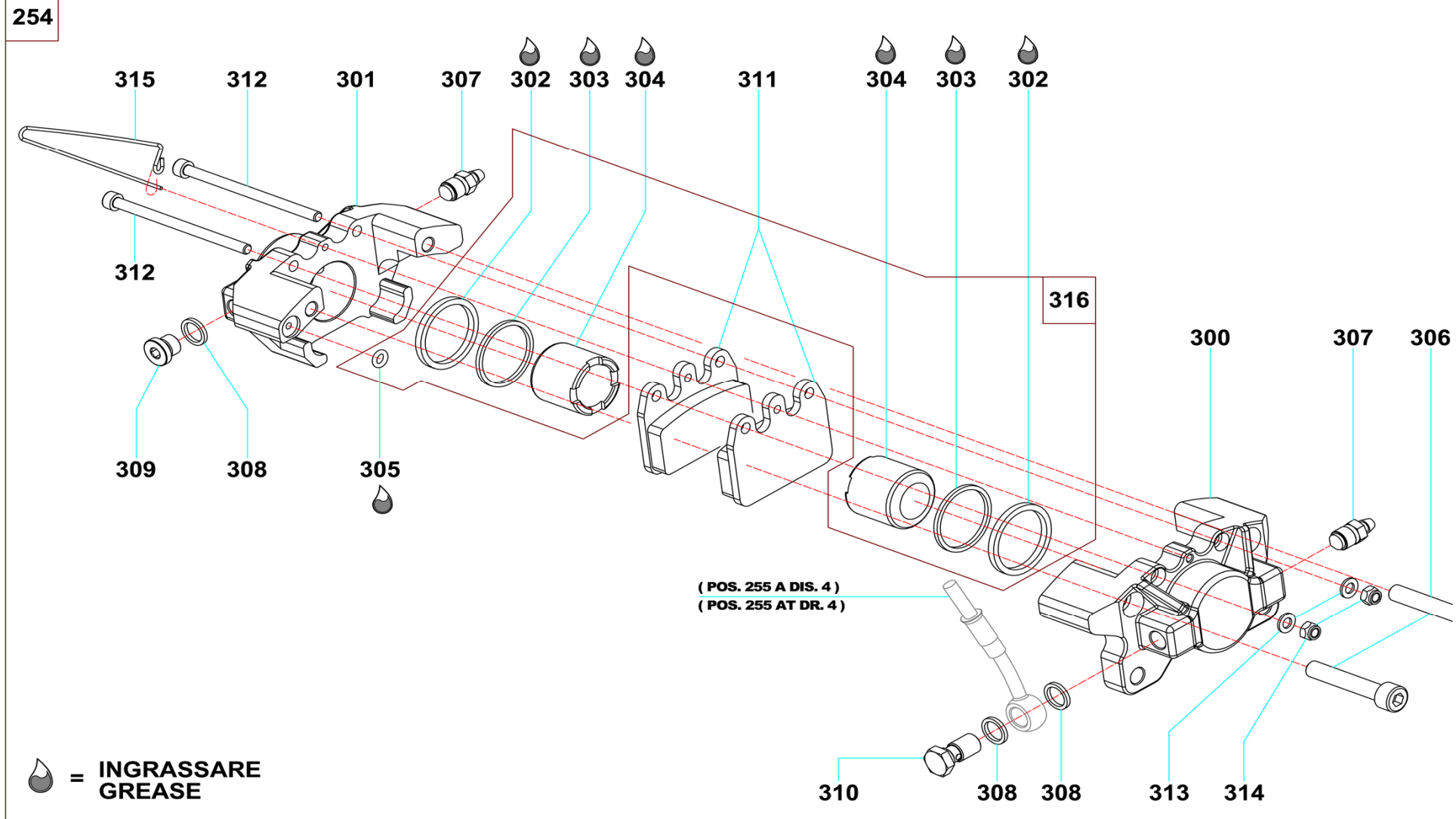
## **DREAMER RT20 KZ (disegno 4A) - (drawing 4A)**

---

<b>Pos.</b>	<b>Cod.</b>	<b>Descrizione</b>	<b>Description</b>	<b>Qt.</b>	<b>Unit Price KRW</b>
<b>290</b>	1010-FBG-58	Disco freno poster. nudo autov. flott. Ø192x18 V11 - FL1.04224	Rear ventilated floating disc Ø192x18 only V11 - FL1.04224	1	<b>241,000</b>
<b>291</b>	1010-FBG-05	Flangia disco posteriore V05/09 - SAN.01592	Rear disc flange V05/09 - SAN.01592	1	<b>44,500</b>
<b>292</b>	1010-FBG-24	Bussola disco post. V05/09 - SBN.01660	Rear disc float bush V05/09 SBN.01660	5	<b>12,000</b>
<b>293</b>	1010-FBG-25	Rondella elastica D.10,2xD.23x1 disco post. V05/09 - AFN.01677	Rear disc elastic washer D.10,2xD.23X1 V05/09 - AFN.01677	5	<b>2,000</b>
<b>294</b>	1000-147-02	Anello di arresto Benzing D.8	Lock ring Benzing D.8	5	<b>1,000</b>
<b>295</b>	1000-147-05	Molla di sicurezza D.i.10x1	Safety spring D.i.10x1	5	<b>2,500</b>
<b>296</b>	1010-FBG-04	Bussola disco post. V05/09 completa - FK0.01660	Complete rear disc float bush V05/09 -	5	<b>19,000</b>

# DREAMER RT20 KZ (disegno 4B) - (drawing 4B)

## 4B DREAMER RT20 KZ



## **DREAMER RT20 KZ (disegno 4B) - (drawing 4B)**

<b>Pos.</b>	<b>Cod.</b>	<b>Descrizione</b>	<b>Description</b>	<b>Qt.</b>	<b>Unit Price KRW</b>
300	1010-FBG-103	Semicorpo pinza freno sinistro con attacchi SAN.1800S	Half rear left brake caliper with supports SAN.1800S	1	267,000
301	1010-FBG-104	Semicorpo pinza freno destro senza attacchi SAN.1800D	Half rear right brake caliper without supports SAN.1800D	1	267,000
302	1010-FBG-37	Gommino posteriore D.30 - AFS.03022	Rear seal D.30 - AFS.03022	2	9,000
303	1010-FBG-43	Gommino parapolvere D.30 - AFS.03023	Dust guard seal D.30 - AFS.03023	2	8,000
304	1010-FBG-64	Pistoncino pinza freno D.30 - SD1.01801	Brake caliper piston D.30 - SD1.01801	2	22,000
305	1010-FBG-88	O-Ring pinza freno - AFN.00182	Brake caliper O-Ring - AFN.00182	1	2,000
306	1000-105	Vite TCEI M8x45 zincata bianca - AFN.00159	Screw TCEI M8x45 white galv. - AFN.00159	2	1,000
307	1010-FBG-96	Spurgo M10 - SZ0.00184	Bleeder M10 - SZ0.00184	2	4,500
308	1010-FBG-65	Rodella in rame D.10,5xD.14x2 - AFN.00186	Copper washer D.10,5xD.14x2 - AFN.00186	3	1,000
309	1000-198	Tappo M10x1 - SBN.00369	Cap M10x1 - SBN.00369	1	2,000
310	1010-FBG-97	Raccordo M10 - SZ0.00185	Fitting M10 - SZ0.00185	1	3,000
311	1010-FBG-80	Pastiglia post. V11 ARANCIO - AFS.02404	Rear pad V11 ORANGE - AFS.02404	2	53,000
311A**	1010-FBG-98	Pastiglia post. V05/09 ROSSA - AFS.01745	Rear pad V05/09 RED - AFS.01745		56,000
312	1010-FBG-95	Vite TCEI M5x80 zincata bianca - AFN.01679	Screw TCEI M5x80 white galvan. - AFN.01679	2	1,000
313	NORM-144	Rondella piana D.5,3xD.10x1 - AFN.02264	Flat washer D.5,3xD.10x1 - AFN.02264	2	1,000
314	NORM-050	Dado Autobloccante M5x4 - AFN.00360	Self locking nut M5x4 - AFN.00360	2	2,000
315	1010-FBG-94	Spina di sicurezza - AFS.01682	Safety pin - AFS.01682	1	6,500
316	1010-FBG-38	Kit revisione pinza poster. V09/11 - CRG.0322	Repair kit rear caliper v09/11 - CRG.03022	1	75,000

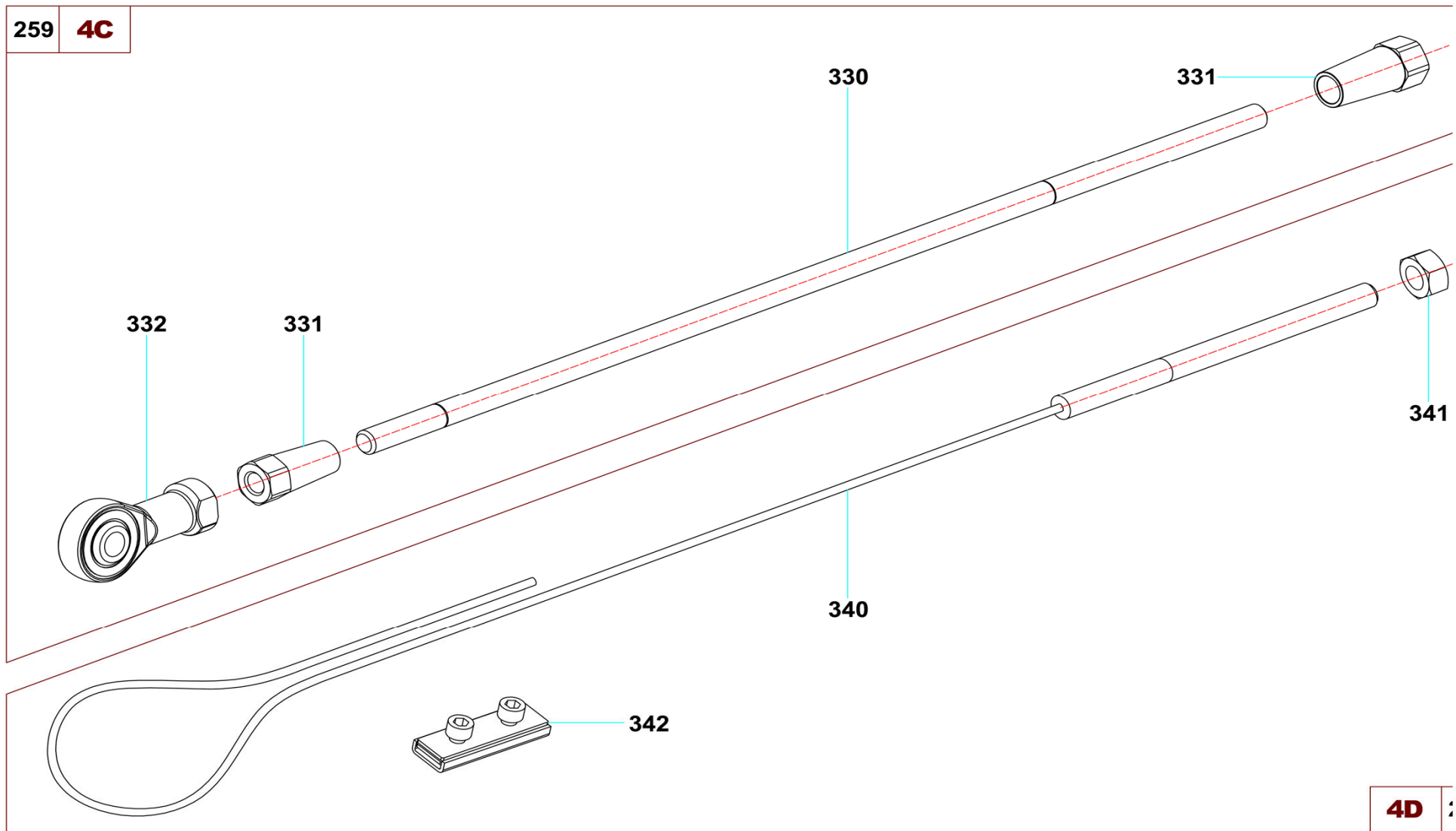
\*\* OPTIONAL - Non fornito con il telaio/Not supplied with the chassis

# DREAMER RT20 KZ (disegno 4C) - (drawing 4C) / (disegno 4D) - (drawing 4D)

4C / 4D

DREAMER RT20 KZ

259 4C



4D

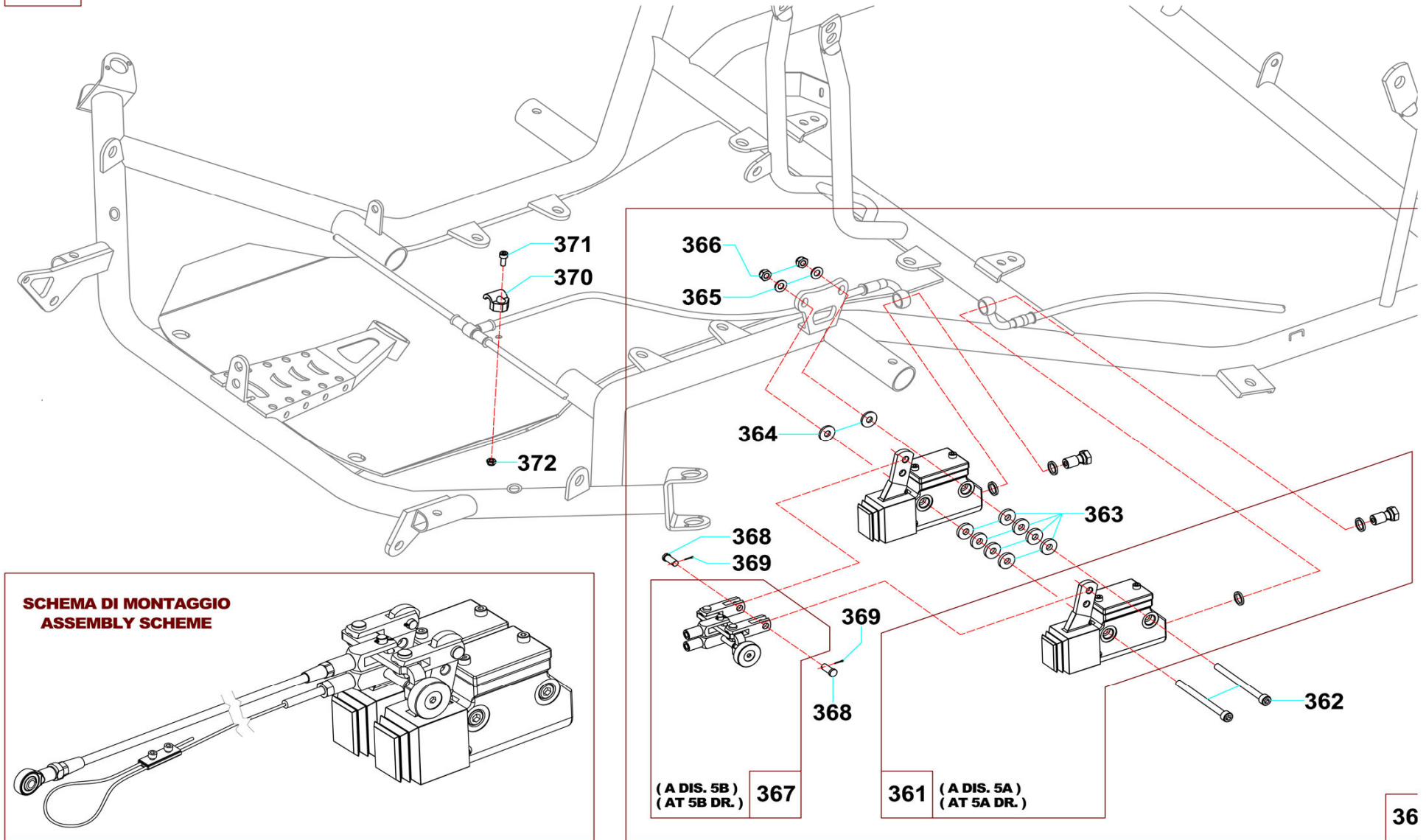


## ***DREAMER RT20 KZ (disegno 4C) - (drawing 4C) / (disegno 4D) - (drawing 4D)***

<b>Pos.</b>	<b>Cod.</b>	<b>Descrizione</b>	<b>Description</b>	<b>Qt.</b>	<b>Unit Price KRW</b>
<b>330</b>	1000-229-08	Asta freno L=450mm INOX	Brake bar L=450mm INOX	1	<b>30,000</b>
<b>331</b>	1000-219	Dado asta freno M6x22 zincato bianco	Brake bar nut M6x22 white galvanized	2	<b>4,500</b>
<b>332</b>	1000-110-04	Uniball D.6 - filetto M6 femmina	Uniball D.6 - M6 female thread	1	<b>31,500</b>
<b>340</b>	1000-194-01	Cavo sicurezza D.1,9x580 con filetto M6x70	Safety cable D.1,9x580 with thread M6x70	1	<b>9,000</b>
<b>341</b>	1000-005	Dado esagnale M6x6	Exhagonal nut M6x6	1	<b>500</b>
<b>342</b>	1000-008-01	Morsetto per cavo	Clamp for cable	1	<b>6,500</b>

# DREAMER RT20 KZ (disegno 5) - (drawing 5)

## 5 DREAMER RT20 KZ

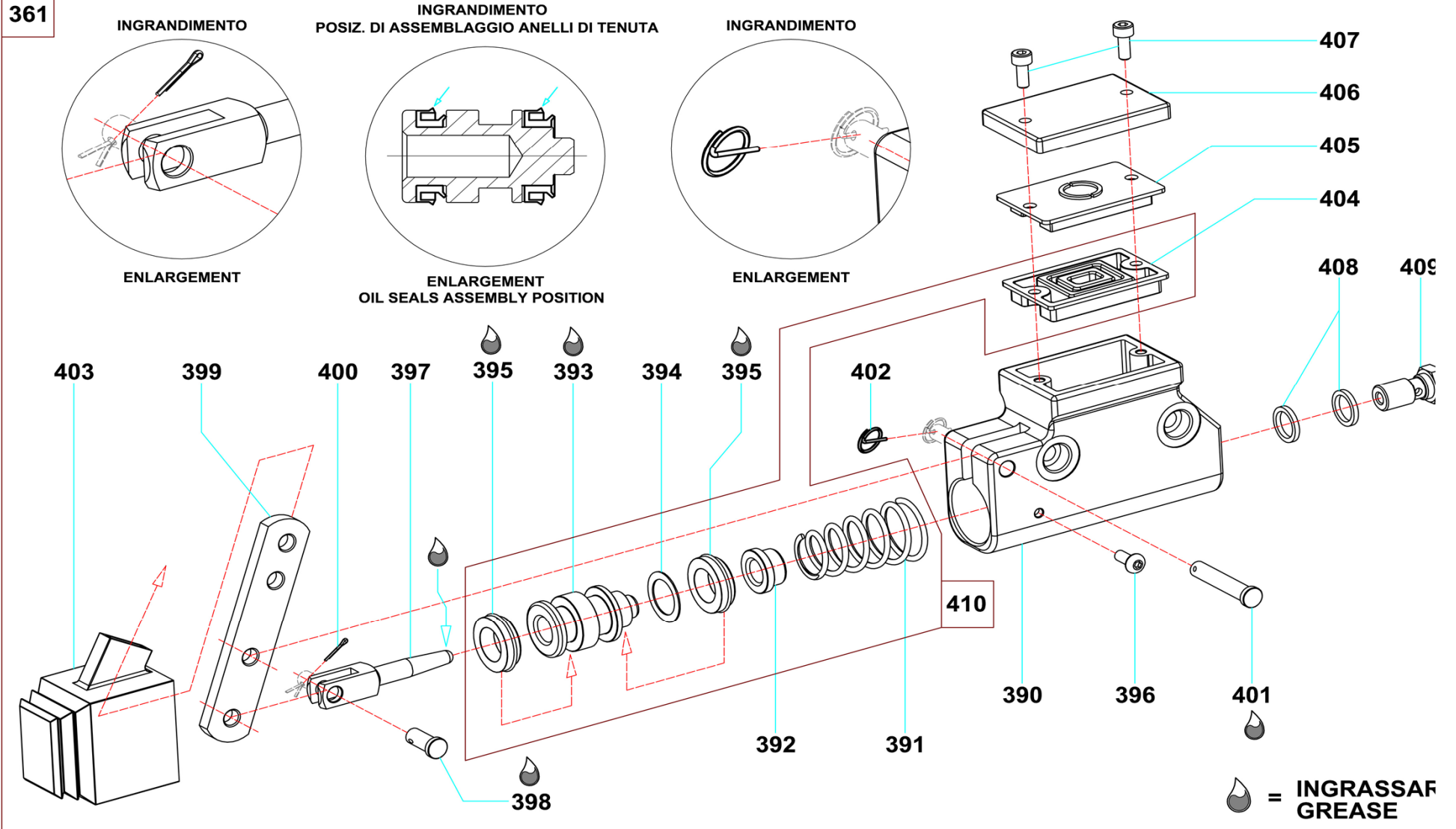


## **DREAMER RT20 KZ (disegno 5) - (drawing 5)**

<b>Pos.</b>	<b>Cod.</b>	<b>Descrizione</b>	<b>Description</b>	<b>Qt.</b>	<b>Unit Price KRW</b>
360	1010-FBG-128	Gruppo doppia pompa freno V05/09 con bilanciatore	Double V05/09 brake pump group with balancer	1	949,500
361	1010-FBG-57	Pompa freno completa V05/09 FM0.00192	Complete brake pump V05/09 FM0.00192	1	400,500
362	NORM-036-05	Vite TCEI M6x85 brunita	Screw TCEI M6x85 burnished	2	1,000
363	1010-FBG-115	Spessore D.6,5xD.15x3 - SBN.00220	Spacer D.6,5xD.15x3 - SBN.00220	8	6,500
364	1000-062	Rondella piana D.6,5x18x2 zincata bianca	Flat washer D. 6,5x18x2 white galvanized	2	1,000
365	NORM-038	Rondella piana D.6,5xD.12x1,6 zincata bianca	Flat washer D.6,5xD.12x1,6 white galvanized	2	1,000
366	1000-003-01	Dado autobloccante M6x8	Self locking nut M6x8	2	1,000
367	1010-FBG-39	Bilanciatore frenata completo FM0.00330	Complete braking balancer FM0.00330	1	136,000
368	1010-FBG-82	Spina D.6x17,5mm bilanciatore - SBN.00214	Balancer pin D.6x17,5mm - SBN.00214	2	2,500
369	1010-FBG-112	Copiglia - AFN.00201	Split pin - AFN.00201	2	1,000
370	1000-819	Fermo per raccordo a "T"	Plastic stopper for "T" junction	1	4,000
371	1000-182-01	Vite TCEI M4x10 zincata bianca	Screw TCEI M4x10 white galvanized	1	1,000
372	NORM-058	Dado autobloccante M4x5,3	Self locking nut M4x5,3	1	1,500

# DREAMER RT20 KZ (disegno 5A) - (drawing 5A)

## 5A DREAMER RT20 KZ





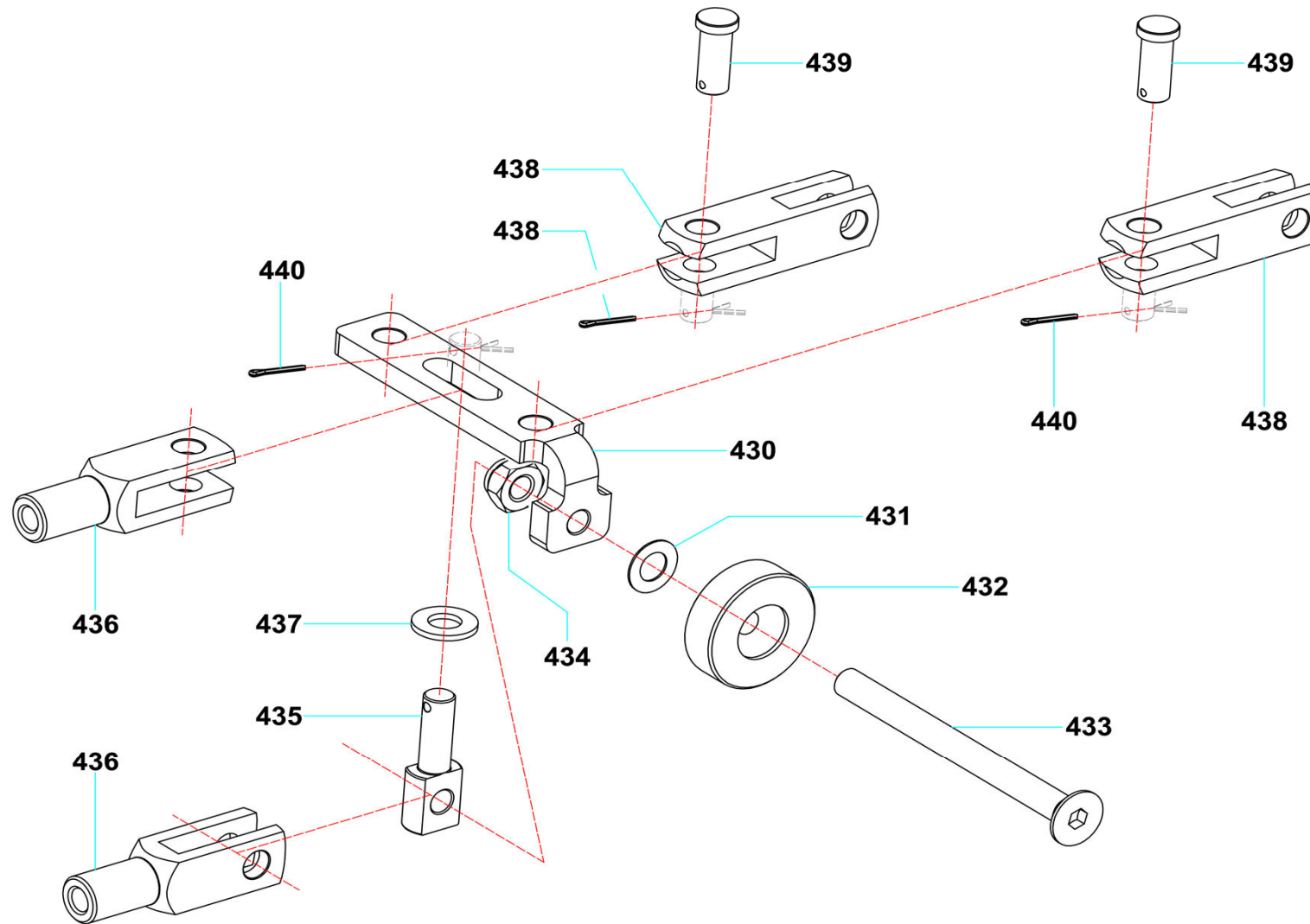
## **DREAMER RT20 KZ (disegno 5A) - (drawing 5A)**

<b>Pos.</b>	<b>Cod.</b>	<b>Descrizione</b>	<b>Description</b>	<b>Qt.</b>	<b>Unit Price KRW</b>
390	1010-FBG-105	Corpo pompa freno- SAN.00192	Brake body pump - SAN.00192	1	252,000
391	1010-FBG-106	Molla pompa freno - SZ0.00193	Brake pump spring - SZ0.00193	1	4,500
392	1010-FBG-107	Tappo molla pompa - SL1.00208	Spring pump cap - SL1.00208	1	10,000
393	1010-FBG-108	Pistone pompa - SAN.00210	Pump piston - SAN.00210	1	17,500
394	1010-FBG-109	Distanziale pistone - AFN.00195	Piston spacer - AFN.00195	1	2,000
395	1010-FBG-110	Gommino pompa - AFS.00194	Pump rubber - AFS.00194	2	9,000
396	1010-FBG-111	Vite TBEI M4x16 zinc. bianca - AFN.02262	Screw TBEI M4x6 white galvan. - AFN.02262	1	1,500
397	1010-FBG-87	Puntale pompa - AFS.00196	Pump plunger - AFS.00196	1	13,500
398	1010-FBG-63	Spina 16mm puntale - SBN.00200	Plunger pin 16mm - SBN.00200	1	2,000
399	1010-FBG-85	Leva pompa freno - SBN.00197	Brake pump lever - SBN.00197	1	32,000
400	1010-FBG-112	Copiglia - AFN.00201	Split pin - AFN.00201	1	1,000
401	1010-FBG-86	Spina 35,5mm leva pompa freno - SBN.00202	Brake pump lever 35,5mm - SBN.00202	1	3,000
402	1010-FBG-66	Spina di sicurezza D.8 - AFS.00981	Safety pin D.8 - AFS.00981	1	3,000
403	1010-FBG-83	Cuffia parapolvere pompa - AFS.00199	Dust cover pump - AFS.00199	1	15,000
404	1010-FBG-113	Membrana pompa - AFS.00205	Pump membrane - AFS.00205	1	8,000
405	1010-FBG-114	Tappo membrana - AFS.00204	Membrane cap - AFS.00204	1	7,000
406	1010-FBG-18	Coperchio pompa freno - SAN.00212	Brake pump cap - SAN.00212	1	16,000
407	1000-182-01	Vite TCEI M4x10 zinc. Bianca - AFN.02148	Screw TCEI M4x10 white galvan. - AFN.02148	2	1,000
408	1010-FBG-65	Rodella in rame D.10,5xD.14x2 - AFN.00186	Copper washer D.10,5xD.14x2 - AFN.00186	2	1,000
409	1010-FBG-97	Raccordo M10 - SZ0.00185	Fitting M10 - SZ0.00185	1	3,000
410	1010-FBG-84	Kit revisione pompa freno - CRG.00192	Repair brake pump kit - CRG.00192	1	68,000

# DREAMER RT20 KZ (disegno 5B) - (drawing 5B)

## 5B DREAMER RT20 KZ

367



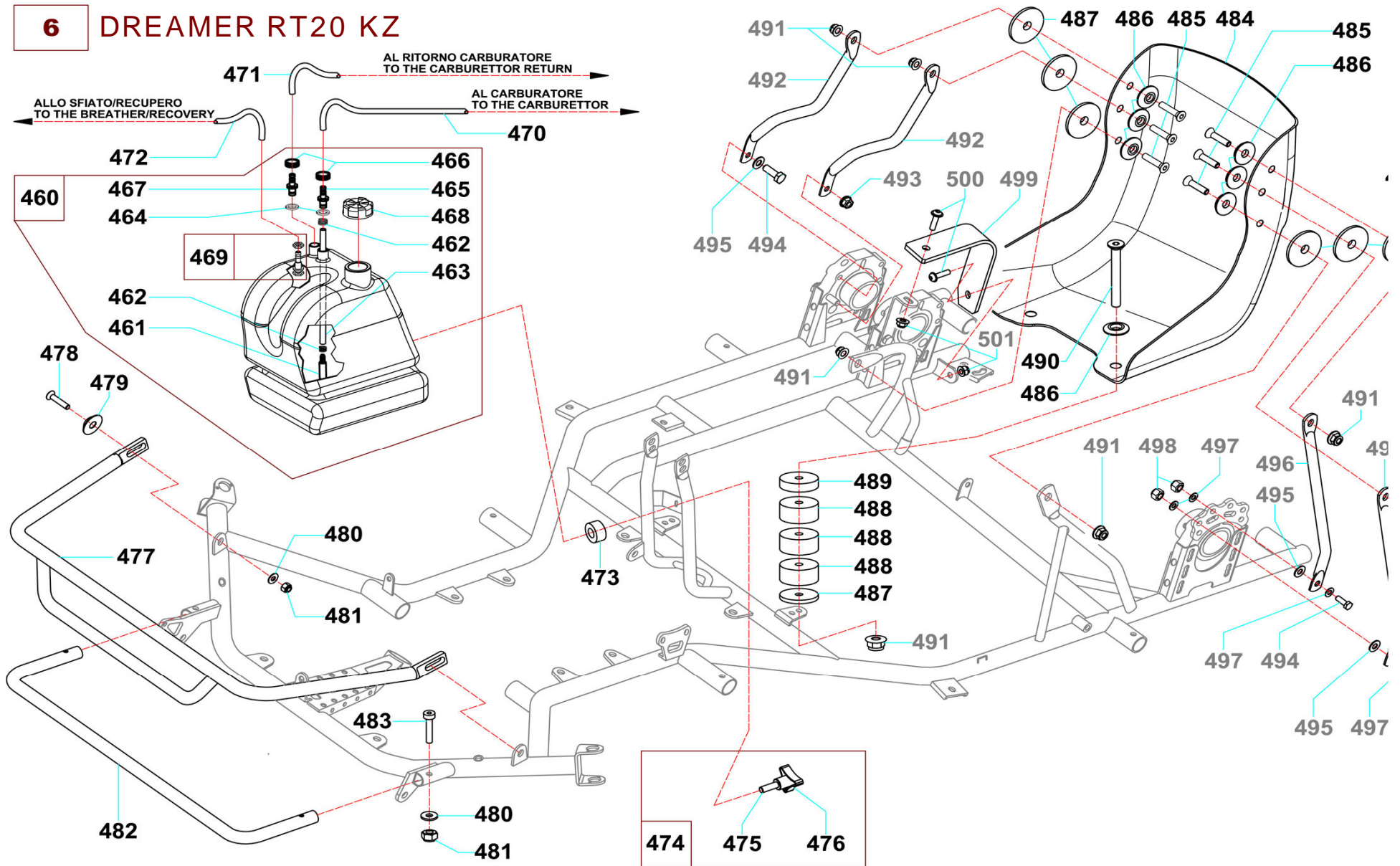
## **DREAMER RT20 KZ (disegno 5B) - (drawing 5B)**

<b>Pos.</b>	<b>Cod.</b>	<b>Descrizione</b>	<b>Description</b>	<b>Qt.</b>	<b>Unit Price KRW</b>
430	1010-FBG-129	Piastrina bilanciatore frenata SBN.00334	Brake balancer plate SBN.00334	1	12,000
431	1000-133	Rondella ondulata D.6xD.12x0,5	Wave washer D.6xD.12x0,5	1	1,000
432	1010-FBG-131	Pomello di registrazione SAN.00333	Adjusting knob SAN.00333	1	11,000
433	1000-101-06	Vite TSPEI M6x70 zincata bianca	Screw TSPEI M6x70 white galvanized	1	1,500
434	1000-016	Dado autobloccante M6x6	Self locking nut M6x6	1	1,000
435	1010-FBG-132	Perno registro bilanciatore frenata SBN.00335	Brake balancing pin adjuster SBN.00335	1	15,000
436	1010-FBG-133	Forcella standard AFS.00216	Standard fork AFS.00216	2	13,000
437	NORM-038	Rondella piana D.6,5xD.12x1,6 zincata bianca	Flat washer D.6,5xD.12x1,6 white galvanized	1	1,000
438	1010-FBG-16	Forcella doppia AFS.00215	Double fork AFS.00215	2	25,000
439	1010-FBG-82	Spina D.6x17,5mm bilanciatore - SBN.00214	Balancer pin D.6x17,5mm - SBN.00214	2	2,500
440	1010-FBG-112	Copiglia - AFN.00201	Split pin - AFN.00201	3	1,000

# DREAMER RT20 KZ (disegno 6) - (drawing 6)

6

## DREAMER RT20 KZ





## DREAMER RT20 KZ (disegno 6) - (drawing 6)

<b>Pos.</b>	<b>Cod.</b>	<b>Descrizione</b>	<b>Description</b>	<b>Qt.</b>	<b>Unit Price KRW</b>
460	1000-089-18	Serbatoio KZ comp. capacità 9Lt. senza ades.	Compl. KZ fuel tank capacity 9Lt. without stickers	1	165,000
461	1000-088	Pescante carburante	Fuel dip pipe	1	8,500
462	1000-085-03	Molletta strigi tubo	Locking tube spring	2	1,500
463	1000-085-06	Tubo per pescante D.5xD.9 L=230mm verde	Dip pipe tube D.5xD.9 L=230mm green	1	1,000
464	1000-086-09	OR in viton D.9x2	OR D.9x2 viton	2	4,000
465	1000-086-08	Raccordo per tubo di alimentazione	Junction for feed tube	1	14,000
466	1000-086-06	Tappo in plastica rossa per raccordo	Red plastic cap for junction	2	3,000
467	1000-086-07	Raccordo per tubo ritorno benzina	Junction for gasoline return tube	1	9,000
468	1000-084-04	Tappo serbatoio in plastica nero con guarniz.	Black plastic fuel tank cap with gasket	1	18,000
469	1000-086-11	Raccordo completo per tubo sfiato/recupero	Complete junction for breather/recovery tube	1	21,000
470	1000-085-07	Tubo D.5xD.9 alimentazione L = 1100mm bianco	Feeding tube D.5xD.9 L = 1100mm white	1	6,500
471	1000-085-10	Tubo D.5xD.9 ritorno L = 990mm bianco	Return tube D.5xD.9 L = 990mm white	1	6,000
472	1000-085-09	Tubo D.5xD.9 sfiato/recupero L = 300mm bianco	Breather/recovery tube D.5xD.9 L = 300mm white	1	2,000
473	1000-089-20	Spess. in allum. D.8,5xD.24,5x15,5	Alumin. Spacer D.8,5xD.24,5x15,5	1	14,000
474	1000-074-32	Manopola in plast. compl. rossa L =21x46mm	Complete plastic red handle L =21x46mm	1	11,500
475	NORM-228	Vite TE M8x35 zincata bianca	Screw TE M8x35 white galvanized	1	500
476	1000-074-94	Manopola in plastica rossa L = 21mm	Red plastic handle L = 21mm	1	6,000
477	1000-060-42	Supporto spoiler superiore	Upper spoiler support	1	80,500
478	1000-001	Vite TSPEI M6x20 zincata bianca	Screw TSPEI M6x20 white galvanized	2	1,000
479	1000-002	Rondella conica svasata D.6 alluminio	Conical countersunk aluminum washer D.6	2	4,000
480	NORM-038	Rondella piana D.6,5xD.12x1,6 zincata bianca	Flat washer D.6,5xD.12x1,6 white galvanized	4	1,000
481	1000-016	Dado autobloccante M6x6	Self locking nut M6x6	4	1,000
482	1000-060-43	Supporto spoiler inferiore	Lower spoiler support	1	41,500
483	1000-045	Vite ribassata TCEI M6x30 zincata bianca	Low head screw TCEI M6x30 white galvanized	2	1,000
484	1000-020-19	Sedile IMAF F6 SILVER ROMBO D3 APERTO - misura 1+	IMAF F6 SILVER ROMBO D3 seat OPEN - size 1+	1	246,000
**		VEDERE OPTIONAL 3 PAG. 51/52	SEE OPTIONAL 3 PAGE 51/52		
485	1000-019	Vite TSPEI M8x30 zincata bianca	Screw TSPEI M8x30 white galvanized	6	1,000
486	1000-018-05	Rondella alu. conica D.14xD.30x3 anod. nera	Alu. conical washer D.14xD.30x3 black anod.	8	11,000
487	1000-017-01	Rondella D.8xD.40x3 zincata bianca	Washer D.8xD.40x3 white galvanized	8	500
487A**	1000-118-09	Rondella D.8xD.40x2 in alluminio	Aluminum washer D.8xD.40x2		1,500
488	1000-041-02	Distanziale in teflon nero D.8xD.40x20	Black teflon spacer D.8xD.40x20	6	17,000
489	1000-041-01	Distanziale in teflon nero D.8xD.40x10	Black teflon spacer D.8xD.40x10	2	17,000
490	NORM-026-05	Vite TSPEI M8x100zincata bianca	Screw TSPEI M8x100 white galvanized	2	3,000

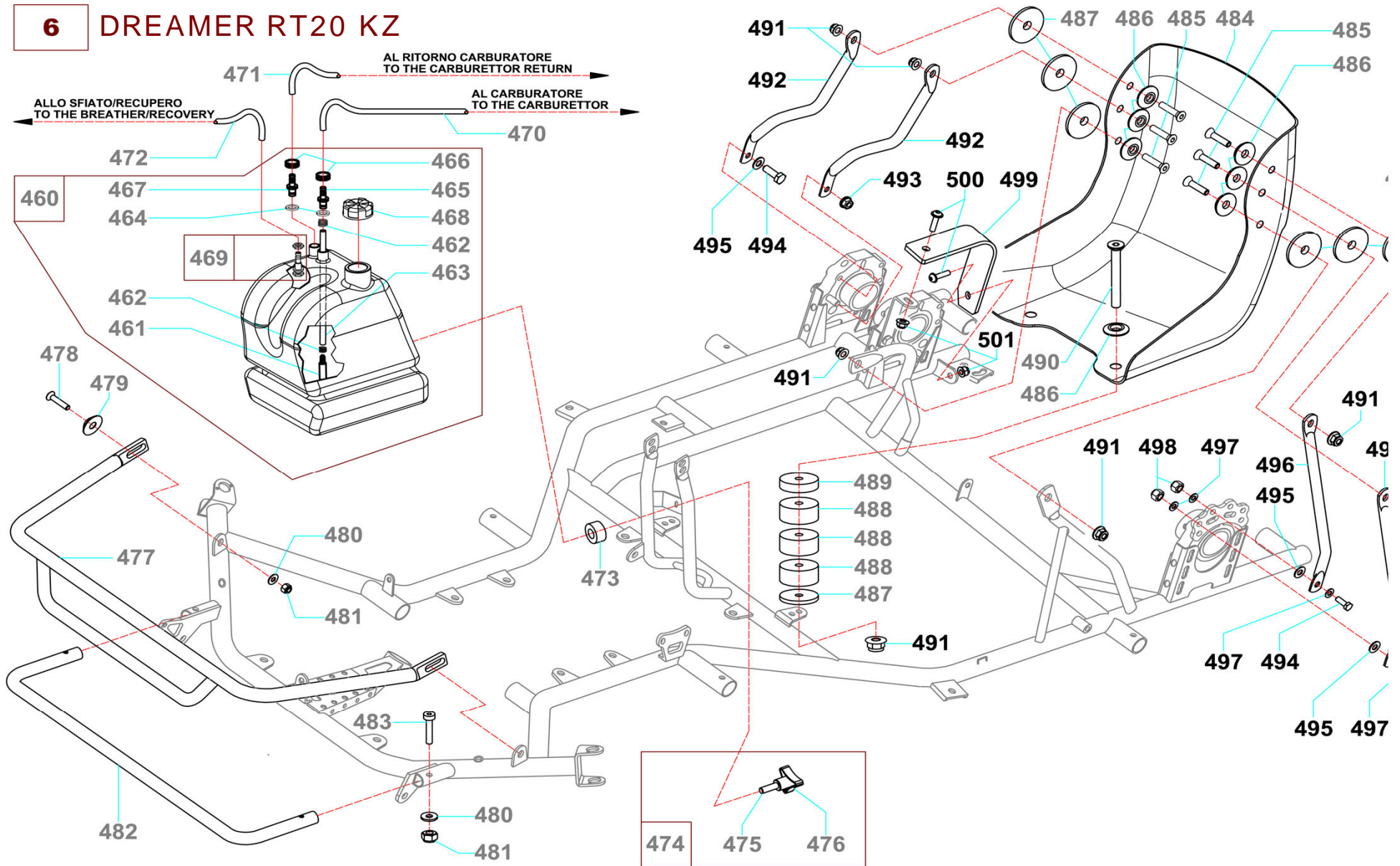
\*\* OPTIONAL - Non fornito con il telaio/Not supplied with the chassis

continua a pag. 38  
continues on pag. 38

# DREAMER RT20 KZ (disegno 6) - (drawing 6)

6

## DREAMER RT20 KZ

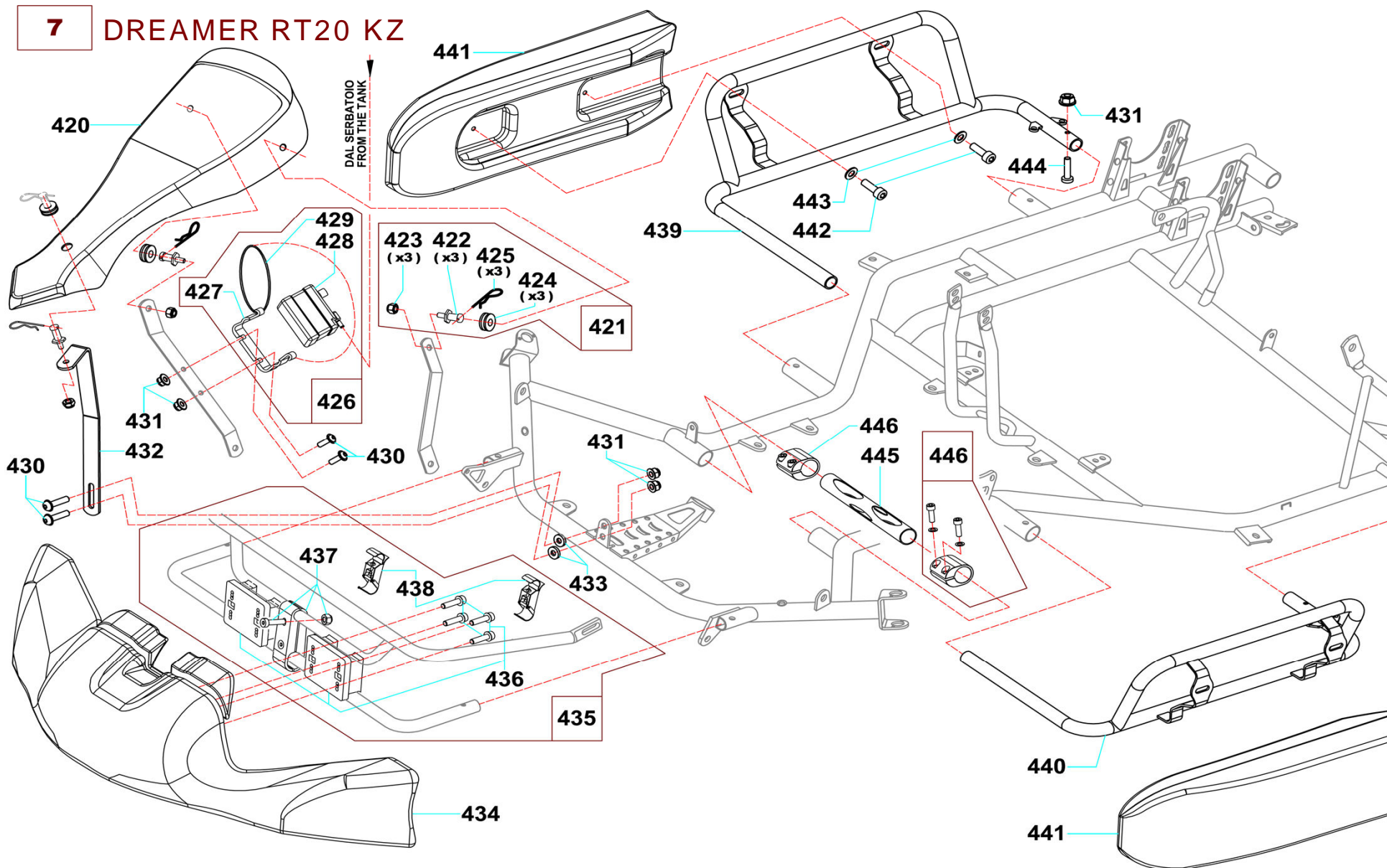


## **DREAMER RT20 KZ (disegno 6) - (drawing 6)**

<b>Pos.</b>	<b>Cod.</b>	<b>Descrizione</b>	<b>Description</b>	<b>Qt.</b>	<b>Unit Price KRW</b>
491	1000-015-01	Dado flangiato autobloccante M8x10,8	Self locking flanged nut M8x10,8	8	1,000
492	1000-034-08	Staffa sedile curva L TOT. 240mm	Bended seat strut L TOT. 240mm	1	16,000
**		VEDERE ANCHE OPTIONAL 4 PAG. 53/54	SEE ALSO OPTIONAL 4 PAGE 53/54		
493	1000-015-03	Dado flangiato ramato autobl. M8x8 ch.10	Copper flanged nut M8x8 hex.10	1	5,000
494	NORM-054	Vite TE M8x25 zincata bianca	Screw TE M8x25 white galvanized	3	1,000
495	1000-078-01	Rondella piana D.8xD.18x3 zincata bianca	Flat washer D.8xD.18x3 white galvanized	3	1,000
496	1000-034-16	Staffa sedile diritta interasse 220mm	Straight seat strut w.b. 220mm	2	19,000
**		VEDERE OPTIONAL 4 PAG. 53/54	SEE OPTIONAL 4 PAGE 53/54		
497	1000-152-03	Rondella piana D.8,4x15x1,5 zincata bianca	Flat washer D. 8,4x15x1,5 white galvanized	4	1,000
498	1000-015	Dado autobloccante M8x8	Self locking nut M8x8	2	1,000
499	1000-012-05	Protezione catena in plastica rossa 41x297x2,8	Red plastic chain guard 41x297x2,8	1	12,000
500	1000-073	Vite flangiata TBEI M6x20 zincata bianca	Flanged srew TBEI M6x20 white galvanized	2	1,500
501	1000-003	Dado flangiato autobloccante M6x9	Self locking flanged nut M6x9	2	1,000

\*\* OPTIONAL - Non fornito con il telaio/Not supplied with the chassis

# DREAMER RT20 KZ (disegno 7) - (drawing 7)





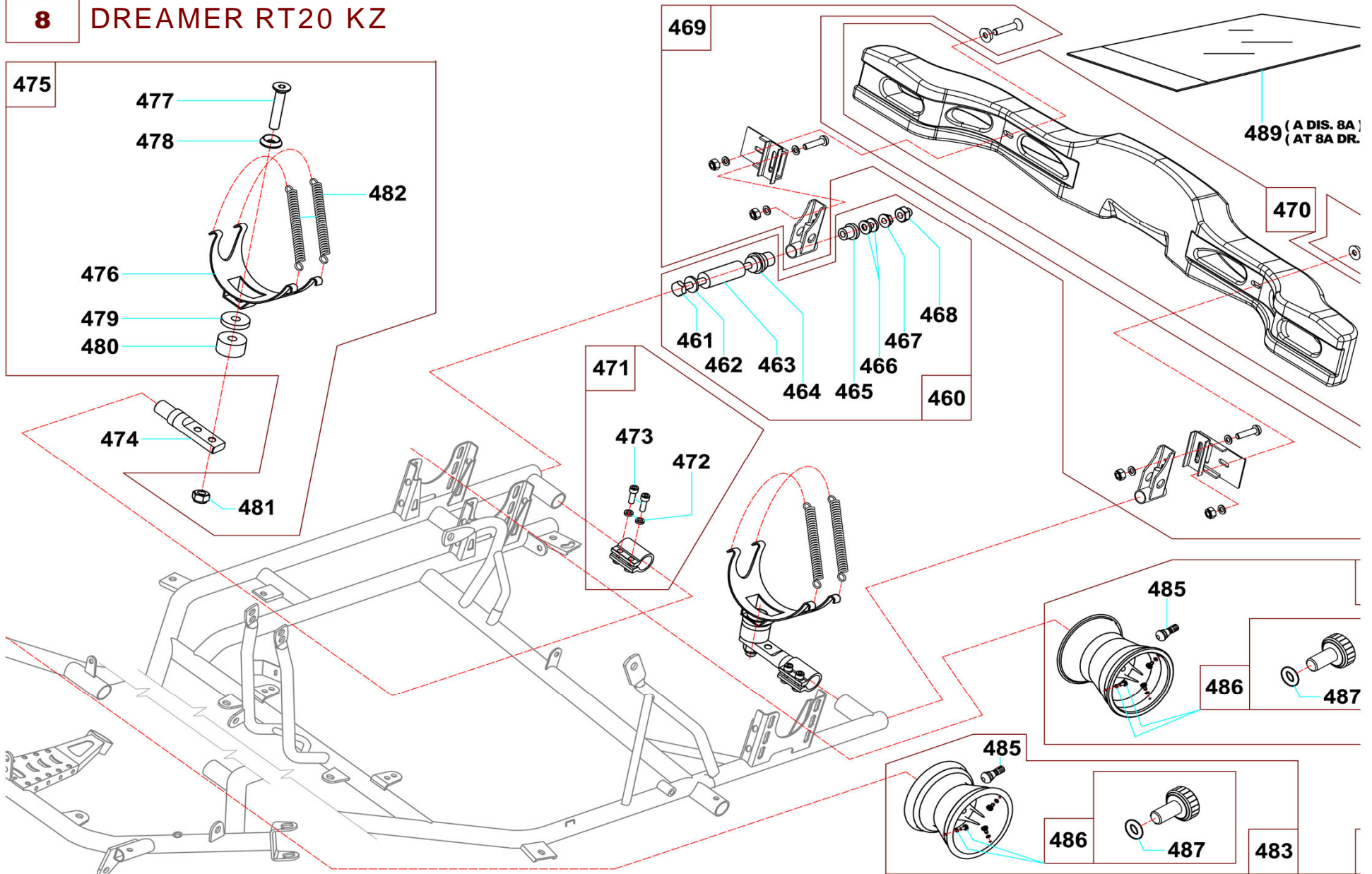
## DREAMER RT20 KZ (disegno 7) - (drawing 7)

<b>Pos.</b>	<b>Cod.</b>	<b>Descrizione</b>	<b>Description</b>	<b>Qt.</b>	<b>Unit Price KRW</b>
420	1000-121-24	Frontalino porta numero 506 bianco perla senza adesivi	Pearl white front number plate without sticker	1	74,500
421	1000-121-06	Kit attacco rapido	Rapid attack kit	1	34,000
422	1000-804	Perno per attacco rapdo D.8,5xM6x26,5	Rapid attack pin D.8,5xM6x26,5	3	6,000
423	1000-016	Dado autobloccante M6x6	Self locking nut M6x6	3	1,000
424	1000-935	Gommino passacavo D.7,5xD.13,5xD.19,5x9	Cable gland rubber D.7,5xD.13,5xD.19,5x9	3	5,000
425	NORM-147-03	Copiglia a "R" D.2x48	"R" clip D.2x48	3	1,500
426	1000-087-03	Bocchetto sfiato/recupero completo	Complete breather/recovery bowl	1	15,000
427	1000-087-01	Supporto bocchetto sfiato/recupero	Breather/recovery bowl support	1	8,000
428	1000-087	Bocchetto sfiato/recupero	Breather/recovery bowl	1	7,500
429	1000-087-02	OR D.47x3	OR D.47x3	1	2,500
430	1000-073	Vite flangiata TBEI M6x20 zincata bianca	Flanged srew TBEI M6x20 white galvanized	4	1,500
431	1000-003	Dado flangiato autobloccante M6x9	Self locking flanged nut M6x9	6	1,000
432	1000-121-27	Staffa inferiore frontalino portanumero	Lower front number plate support	1	22,500
433	1000-061	Rondella piana in gomma D.5,7xD.20x4 blu	Flat rubber washer D.5,7xD.20x4 blu	2	1,000
434	1000-074-64	Spoiler anter. 506 bianco perla senza adesivo	Front pearl white 506 spoiler without sticker	1	211,000
435	1000-074-55	Kit completo fissaggio spoiler CIK	Complete fastening kit for spoiler CIK	1	129,000
**		VEDERE OPTIONAL 4 PAG. 53/54	SEE OPTIONAL ... PAGE 53/54		
436	1000-074-52	Coppia placche fissaggio spoiler CIK con 8 viti	Couple of spolier fixing plate with 8 screws CIK	1	49,000
437	1000-074-53	Morsetto rosso CIK con 2 viti e dadi	Red CIK clamp with 2 screws and nuts	1	19,500
438	1000-074-54	Coppia ganci a scatto spoiler	Couple of snap spoiler fastener	1	73,000
439	1000-067-63	Supporto carena 506 destra	Right pod 506 support	1	104,000
440	1000-067-64	Supporto carena 506 sinistra	Left pod 506 support	1	104,000
441	1000-094-15	Carena des./sin. 506 bianco perla senza ades.	White pearl right/left 506 side pod without sticker	1	131,000
442	1000-936	Vite TCEI M8x16 zincata bianca	Screw TCEI M8x16 white galvanized	4	1,000
443	1000-152-03	Rondella piana D.8,4x15x1,5 zincata bianca	Flat washer D. 8,4x15x1,5 white galvanized	4	1,000
444	1000-120-01	Vite ribassata TCEI M6x35 zincata bianca	Low head screw TCEI M6x35 white galvanized	2	1,000
445	1000-156-17	Barra tors. acciaio forata D.30x285x2,3 crom.	Steel holed torsion bar D.30x285x2,3 chromed	1	119,000
**		VEDERE OPTIONAL 4 PAG. 53/54	SEE OPTIONAL 4 PAGE 53/54		
446	1000-156-11	Morsetto D.30 in allum. anod. nero completo	Complete D.30 alumin. Clamp black anodized	2	25,500

\*\* OPTIONAL - Non fornito con il telaio/Not supplied with the chassis

# DREAMER RT20 KZ (disegno 8) - (drawing 8)

## 8 DREAMER RT20 KZ

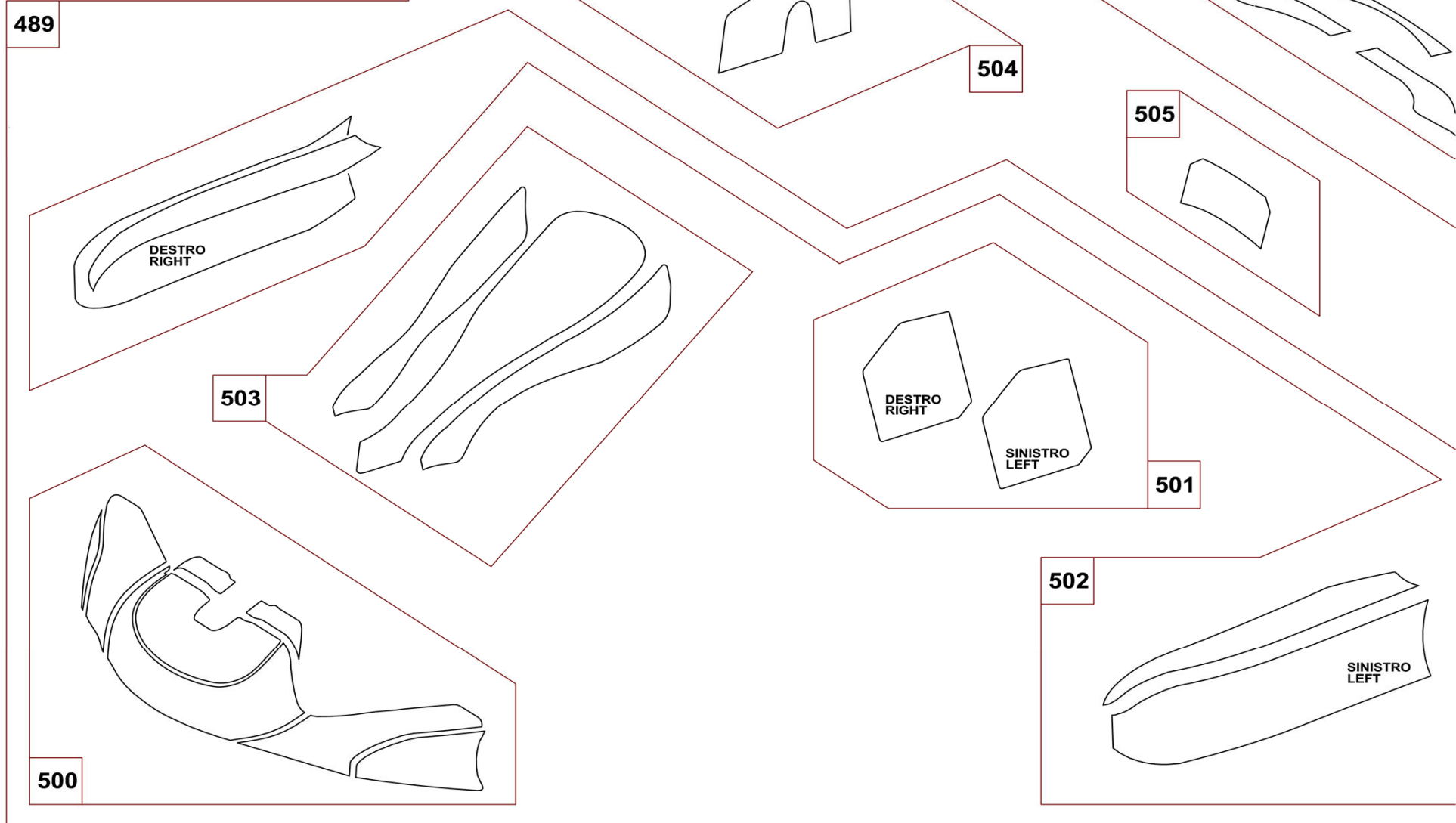


## DREAMER RT20 KZ (disegno 8) - (drawing 8)

<b>Pos.</b>	<b>Cod.</b>	<b>Descrizione</b>	<b>Description</b>	<b>Qt.</b>	<b>Unit Price KRW</b>
460	1000-025-61	Kit vite fissaggio paraurti posteriore D.30x150	Locking screw kit for rear bumper D.30x150	2	40,500
461	1000-024-03	Vite TE M10x150 zincata bianca	Screw TE M10x150 white galvanized	2	9,500
462	1000-023-10	Rondella in alluminio D.10xD.25x5	Aluminum washer D.10xD.25x5	2	1,500
463	1000-022-02	Gommino paraurti giallo D.25,5x65	Yellow bumper rubber D.25,5x65	2	6,000
464	1000-023-06	Boccola centraggio D.25 in alluminio	Aluminum centering bush D.25	2	13,000
465	1000-023-08	Boccola standard in alluminio	Standard aluminum bush	2	10,500
466	1000-021-02	Rondella piana D.10,5xD.24x2 zincata bianca	Flat washer D.10,5xD.24x2 white galvanized	4	3,000
467	1000-021-03	Dado flangiato zigrinato M10x10	Knurled flange nut M10x10	2	1,500
468	1000-021	Dado cieco M10x18	Blind nut M10x18	2	1,500
469	1000-025-27	Attacco completo per paraurti posteriore	Complete fastening for rear bumper	1	153,000
470	1000-025-22	Paraurti post. CLOB nero senza adesivi	Rear bumper CLOB black without stickers	1	226,500
471	1000-156	Morsetto D.28 in allum. anod. nero completo	Complete D.28 alumin. clamp black anodized	1	20,500
472	1000-056	Rondella in ottone D.8,3xD.13,5x3	Brass washer D.8,3xD,13,5x3	4	3,500
473	1000-152-02	Vite TCEI M8x25 zincata bianca	Screw TCEI M8x25 white galvanized	4	1,000
474	1000-955	Supporto culla marmitta in alluminio	Aluminum muffler cradle support	2	49,000
475	1000-028-03	Culla marmitta completa KZ	KZ complete muffler cradle	1	40,000
476	1000-028	Culla marmitta nuda	Muffler cradle only	2	24,000
477	NORM-514-02	Vite TSPEI M10x60 zincata bianca	Screw TSPEI M10x60 white galvanized	2	3,000
478	1000-031	Rondella conica svasata D.10 alluminio	Conical countersunk aluminum washer D.10	2	5,000
479	1000-030	Gomminio antivibrante D.12xD.35x10	Antivibrating rubber D.12xD.35x10	2	5,500
480	1000-041-02	Distanziale in teflon nero D.8xD.40x20	Black teflon spacer D.8xD.40x20	2	17,000
481	1000-031-02	Dado autobloccante M10x10	Self locking nut M10x10	2	1,500
482	1000-956	Molla marmitta L=132mm	Muffler spring L=132mm	4	3,500
483	1000-875-07	Cerchio in magn. TOP-KART 130 completo di valvola e viti anti stallonamento	TOP-KART magn.wheel rim 130 complete with valve and bead locks	2	129,000
484	1000-090-07	Cerchio in magn. TOP-KART 210 completo di valvola e viti anti stallonamento	TOP-KART magn.wheel rim 210 complete with valve and bead locks	2	155,000
485	1000-091	Valvola per cerchio ruota tubeless	Tubeless wheel rim valve	4	3,500
486	1000-876	Vite anti stallonamento completa di OR	Complete with OR bead locks	12	7,000
**		VEDERE OPTIONAL 5 PAG. 55/56	SEE OPTIONAL 5 PAGE 55/56		
487	1000-877	OR 2015 D.3,69x1,78	OR 2015 D.3,69x1,78	12	500
488	1000-875-25	Set cerchi in magn. TOP-KART 130-210 completi di valvola e viti anti stallonamento	TOP-KART magn.wheel rims set 130-210 complete with valve and bead locks	1	395,000
**		VEDERE OPTIONAL 5 PAG. 55/56	SEE OPTIONAL 5 PAGE 55/56		
489	1000-072-16	Set completo adesivi 506	Complete stickers set 506	1	329,500
**	OPTIONAL - Non fornito con il telaio/Not supplied with the chassis				

# DREAMER RT20 KZ (disegno 8A) - (drawing 8A)

**8A** DREAMER RT20 KZ





## **DREAMER RT20 KZ (disegno 8A) - (drawing 8A)**

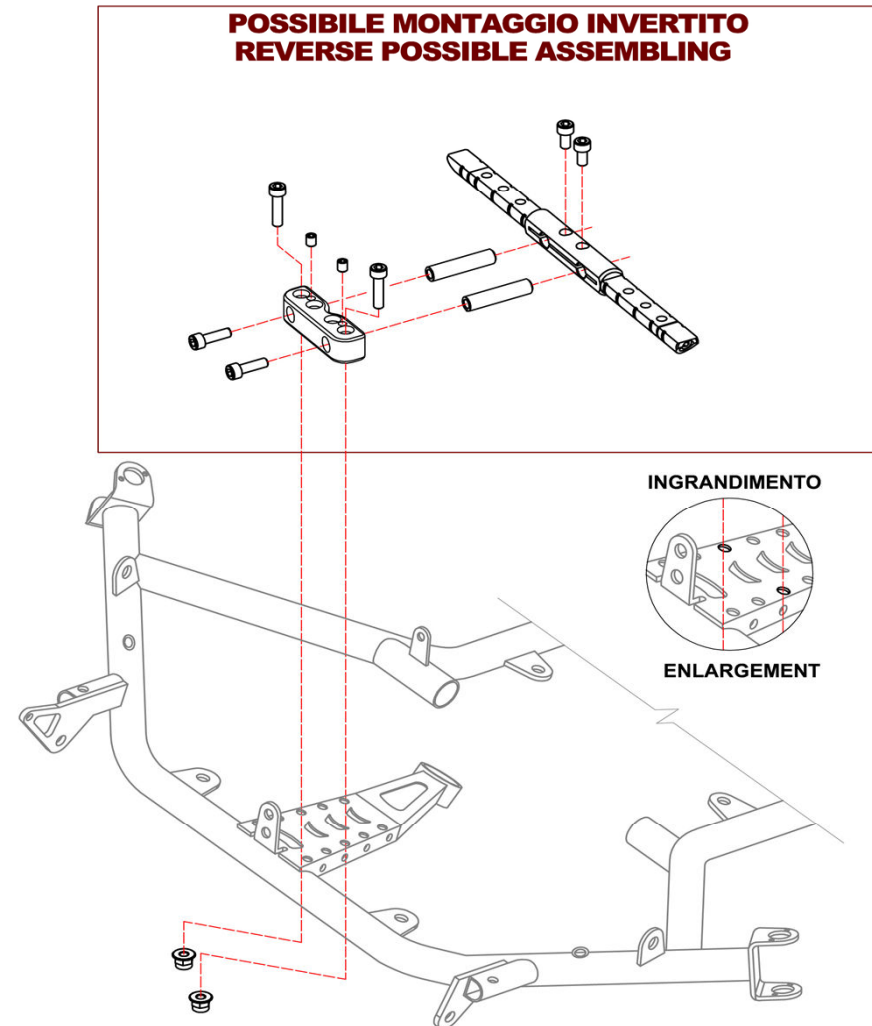
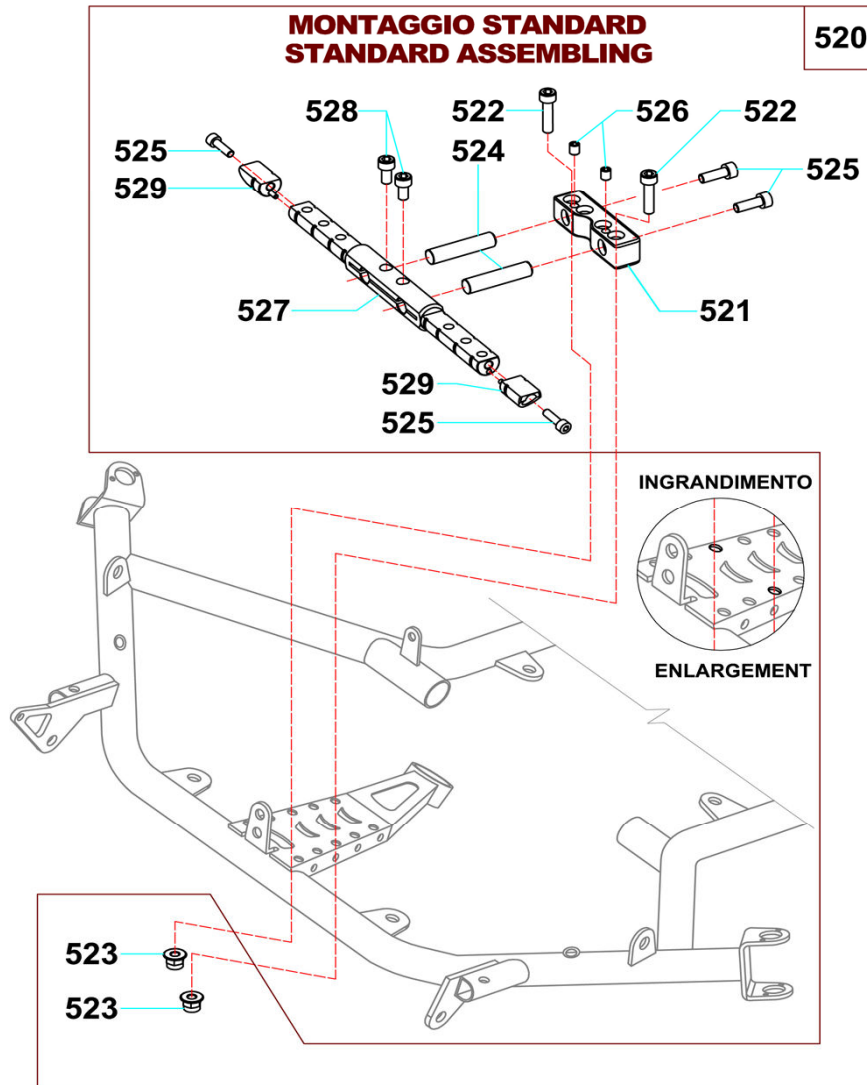
---

<b>Pos.</b>	<b>Cod.</b>	<b>Descrizione</b>	<b>Description</b>	<b>Qt.</b>	<b>Unit Price KRW</b>
500	1000-072-17	Adesivo spoiler 506	Spoiler 506 sticker	1	149,000
501	1000-072-09	Set universale adesivi serbatoio	Universal fuel tank stickers set	1	37,000
502	1000-072-18	Sed adesivi 506 carene laterali	Side pods 506 stickers set	1	149,000
503	1000-072-19	Adesivo frontalino 506	Front panel plate sticker	1	82,000
504	1000-072-11	Adesivo protezione catena universale	Universal chain guard sticker	1	52,000
505	1000-072-14	Adesivo portanumero paraurti poster. CLOB	Number plate rear CLOB bumper sticker	1	37,000
506**	1000-072-12	Adesivo paraurti posteriore CLOB	Rear CLOB bumper sticker		45,000

\*\* OPTIONAL - Non fornito con il telaio/Not supplied with the chassis

# DREAMER RT20 KZ (disegno 9) - (drawing 9)

## 9 DREAMER RT20 KZ



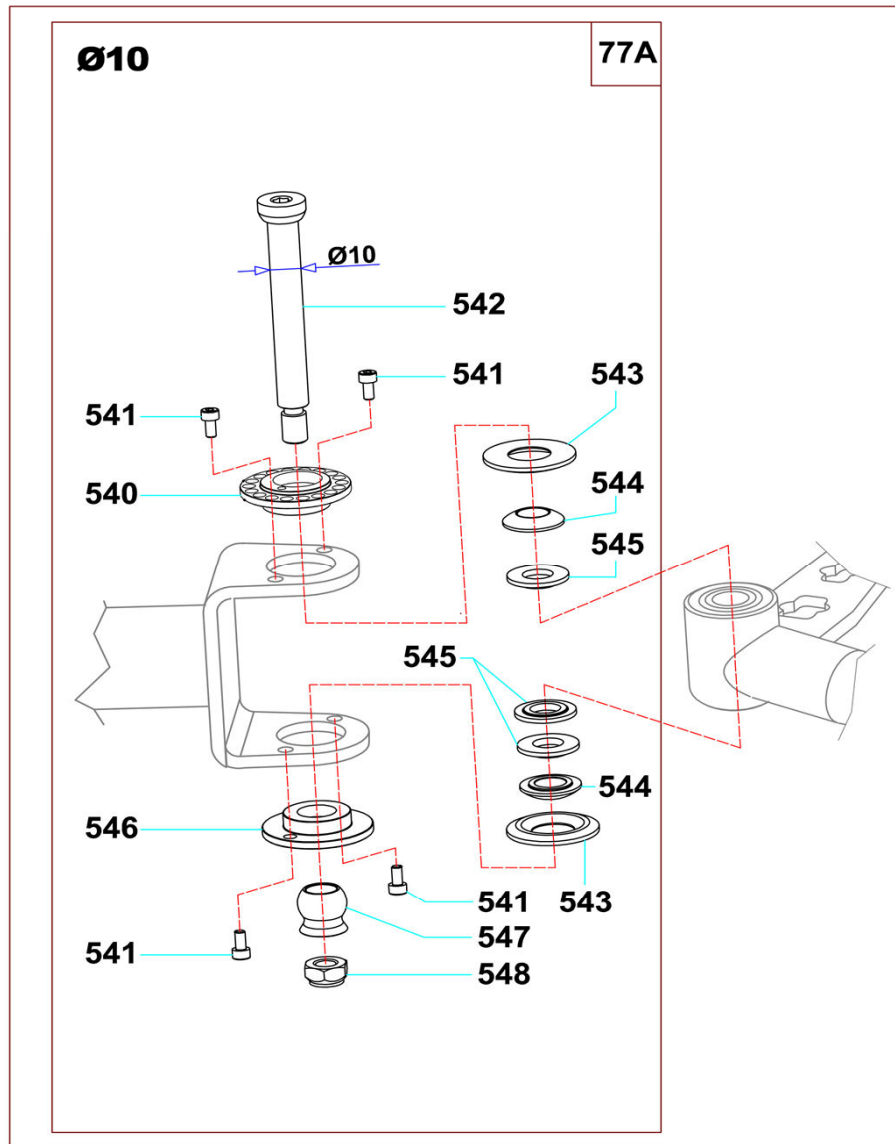
## **DREAMER RT20 KZ (disegno 9) - (drawing 9)**

---

<b>Pos.</b>	<b>Cod.</b>	<b>Descrizione</b>	<b>Description</b>	<b>Qt.</b>	<b>Unit Price KRW</b>
520	1000-076-28	Barra appoggiapiede completa D.18x300	Complete footrest bar D.18x300	1	243,000
521	1000-076-27	Supporto per barra appoggiapiede anod. nera	Footrest bar support black anodized	1	86,000
522	NORM-070-01	Vite TCEI M6x35 brunita	Screw TCEI M6x35 burnished	2	500
523	1000-003	Dado flangiato autobloccante M6x9	Self locking flanged nut M6x9	2	1,000
524	1000-076-96	Perno scorrimento poggiaiedi	Footrest scrolling pin	2	17,000
525	NORM-046-01	Vite TCEI M6x25 brunita	Screw TCEI M6x25 burnished	4	1,500
526	NORM-235-09	Grano M6x10estremità conica zigrinata	Headless screw M6x10 conical knurled edge	2	3,500
527	1000-076-23	Barra appoggiapiede D.18x240 anod. nera	Footrest bar D.18x240 black anodized	1	147,000
528	1000-064-01	Vite TCEI M6x12 brunita	Screw TCEI M6x12 burnished	2	1,000
529	1000-076-25	Boccola terminale anodizz. Bianca con spina	Terminal bush white anodized with pin	2	53,500

# DREAMER RT20 KZ - OPTIONAL 1

## OPTIONAL 1 DREAMER RT20 KZ



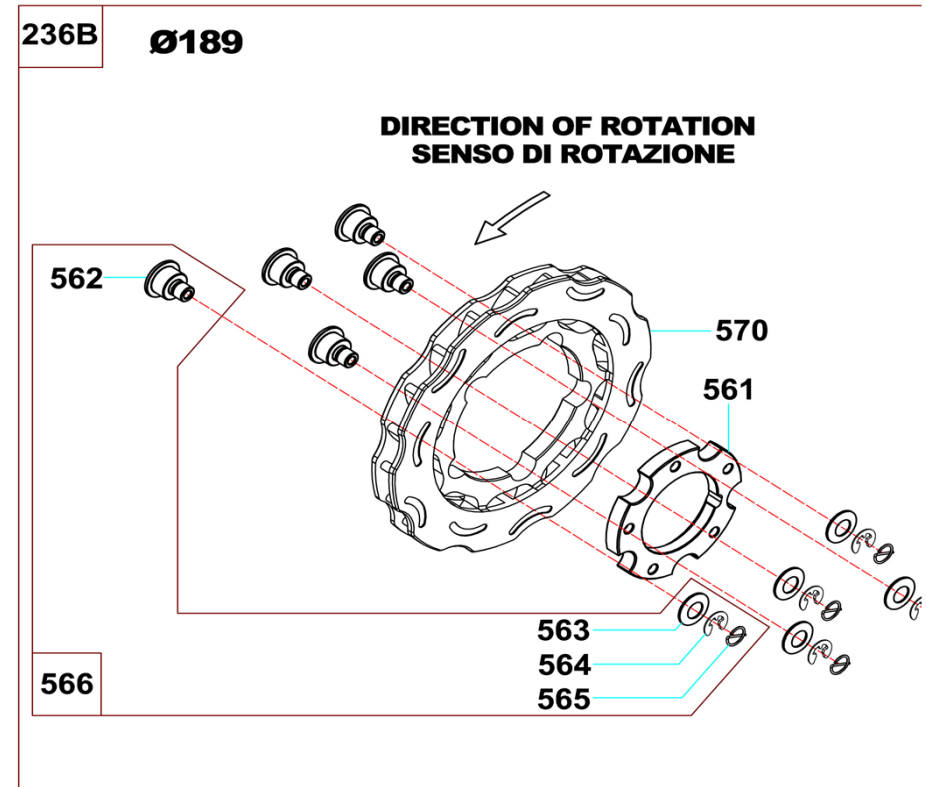
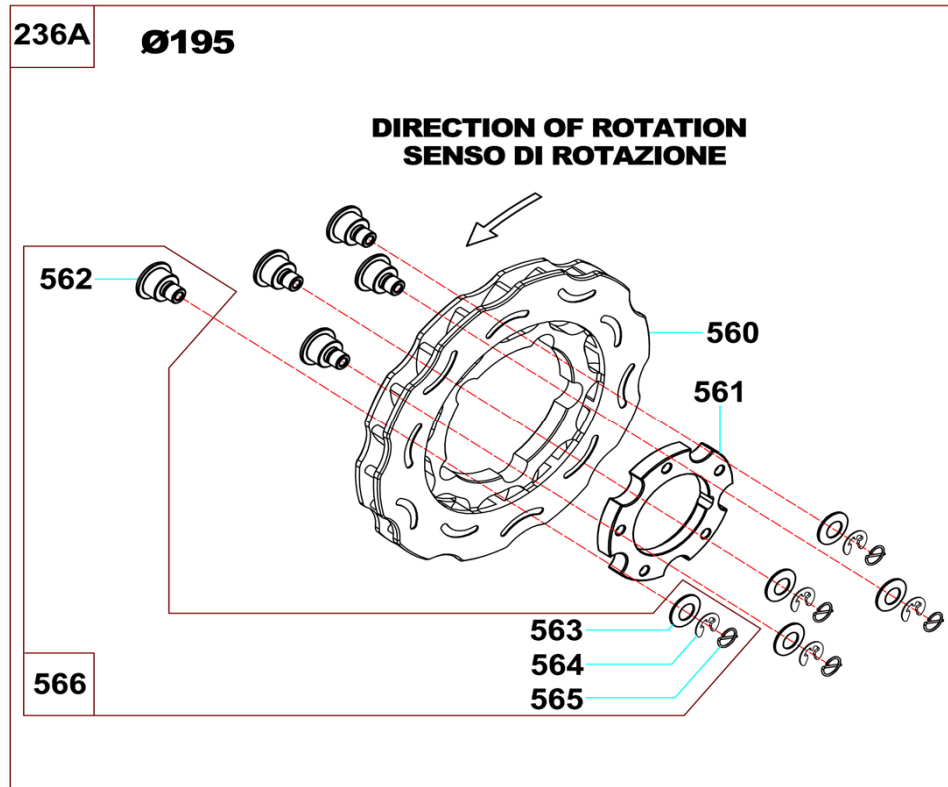
## **DREAMER RT20 KZ - OPTIONAL 1**

<b>Pos.</b>	<b>Cod.</b>	<b>Descrizione</b>	<b>Description</b>	<b>Qt.</b>	<b>Unit Price KRW</b>
77A	1000-023-29	Kit singolo vite fusello D.10	Single kit spindle wheel screw D.10	1	233,000
540	1000-116-16	Boccola eccent. flott. caster 3° - 10RF06B/B	Floating spindle bush caster 3° - 10RF06B/B	1	67,000
541	1000-182	Vite TCEI M4x8 zincata bianca	Screw TCEI M4x8 white galvanized	4	1,000
542	1000-106-09	Vite D.10 - M8 testa semiferica - 20VTF11	Semispherical head D.10-M8 screw - 20VTF11	1	42,000
543	1000-073-04	Rondella bombata D.30x2,9 - 10RBF01/B	Rounded washer D.30x2,9 - 10RBF01/B	2	9,000
544	1000-118-14	Distanziale bombato D.10xD.20x4,4 - 10DBFE1001/B	Rounded spacer D.10xD.20x4,4 - 10DBFE1001/B	2	6,000
545	1000-118-15	Distanziale D.10xD.20x2 - 10DBR10A/Z	Spacer D.10xD.20x2 - 10DBR10A/Z	3	6,000
546	1000-116-17	Boccola flottante fissa - 10RF06A/B	Not adjustable floating spindle bush - 10RF06A/B	1	58,000
547	1000-116-19	Sfera D.10x15,5 - 10VTFS10S	Sphere D.10x15,5 - 10VTFS10S	1	18,000
548	1000-015	Dado autobloccante M8x8	Self locking nut M8x8	1	1,000



# DREAMER RT20 KZ - OPTIONAL 2

## OPTIONAL 2 DREAMER RT20 KZ



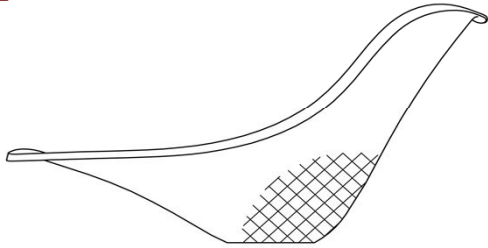
## **DREAMER RT20 KZ - OPTIONAL 2**

<b>Pos.</b>	<b>Cod.</b>	<b>Descrizione</b>	<b>Description</b>	<b>Qt.</b>	<b>Unit Price KRW</b>
<b>236A</b>	1010-FBG-101	Disco freno completo autoventilante flottante Ø195 - V09/10 destro	Complete right ventilated/floating disc Ø195 - V09/10		
<b>560</b>	1010-FBG-36	Disco freno poster. nudo autov. flott. Ø195x18 V09/10 - AFS.01727	Rear ventilated floating disc Ø195x18 only V09/10 - AFS.01727	1	<b>267,500</b>
<b>561</b>	1010-FBG-05	Flangia disco posteriore V05/09 - SAN.01592	Rear disc flange V05/09 - SAN.01592	1	<b>44,500</b>
<b>562</b>	1010-FBG-24	Bussola disco post. V05/09 - SBN.01660	Rear disc float bush V05/09 SBN.01660	5	<b>12,000</b>
<b>563</b>	1010-FBG-25	Rondella elastica D.10,2xD.20x1 disco post. V05/09 - AFN.01677	Rear disc elastic washer D.10,2xD.20X1 V05/09 - AFN.01677	5	<b>2,000</b>
<b>564</b>	1000-147-02	Anello di arresto Benzing D.8	Lock ring Benzing D.8	5	<b>1,000</b>
<b>565</b>	1000-147-05	Molla di sicurezza D.i.10x1	Safety spring D.i.10x1	5	<b>25,000</b>
<b>566</b>	1010-FBG-04	Bussola disco post. V05/09 completa - FK0.01660	Complete rear disc float bush V05/09 - FK0.01660	1	<b>19,000</b>
<b>236B</b>	1010-FBG-102	Disco freno completo autoventilante flottante Ø189 - V05/09/10 destro	Complete right ventilated/floating disc Ø189 - V05/09/10		
<b>570</b>	1010-FBG-02	Disco freno poster. nudo autov. flott. Ø189x18 V05/09/10 - AFS.03281	Rear ventilated floating disc Ø189x18 only V05/09/10 - AFS.03281	1	<b>267,500</b>

# DREAMER RT20 KZ - OPTIONAL 3

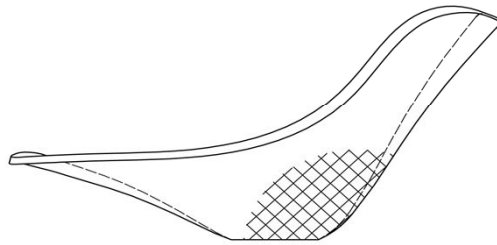
## OPTIONAL 3 DREAMER RT20 KZ

590

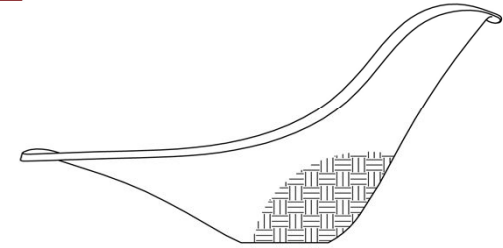


591

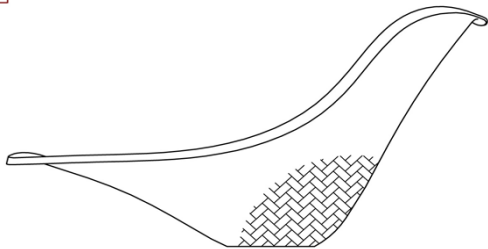
**OPEN**



592



593



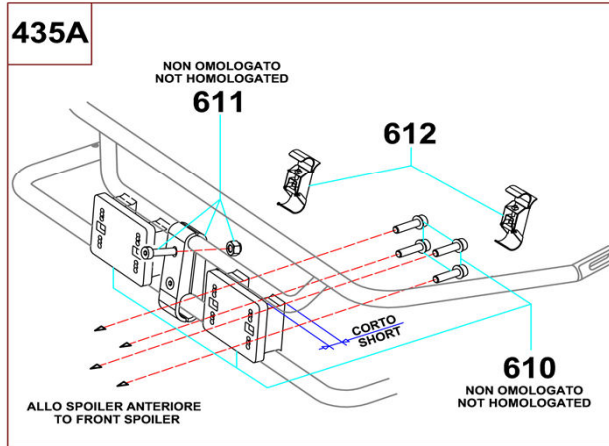
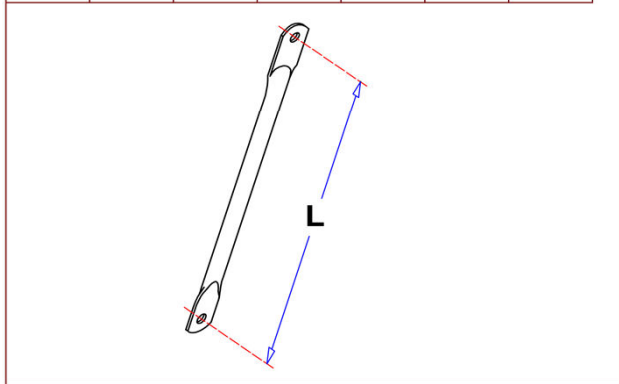
## DREAMER RT20 KZ - OPTIONAL 3

<b>SEDILI F6 FONDO PIATTO ROMBO SILVER D3 - SEATS F6 FLAT BOTTOM ROMBO SILVER D3</b>					
<b>Pos.</b>	<b>Cod.</b>	<b>Descrizione</b>	<b>Description</b>	<b>Qt.</b>	<b>Unit Price KRW</b>
<b>590</b>	1000-020-13	Sedile IMAF F6 SILVER ROMBO D3 - mis. XS	IMAF F6 SILVER ROMBO D3 seat - size XS		<b>246,500</b>
	1000-020-11	Sedile IMAF F6 SILVER ROMBO D3 - mis. 1	IMAF F6 SILVER ROMBO D3 seat - size 1		<b>246,500</b>
	1000-020-14	Sedile IMAF F6 SILVER ROMBO D3 - mis. 1+	IMAF F6 SILVER ROMBO D3 seat - size 1+		<b>246,500</b>
	1000-020-15	Sedile IMAF F6 SILVER ROMBO D3 - mis. 2	IMAF F6 SILVER ROMBO D3 seat - size 2		<b>246,500</b>
	1000-020-16	Sedile IMAF F6 SILVER ROMBO D3 - mis. 3	IMAF F6 SILVER ROMBO D3 seat - size 3		<b>246,500</b>
	1000-020-17	Sedile IMAF F6 SILVER ROMBO D3 - mis. 4	IMAF F6 SILVER ROMBO D3 seat - size 4		<b>246,500</b>
	1000-020-18	Sedile IMAF F6 SILVER ROMBO D3 - mis. 5	IMAF F6 SILVER ROMBO D3 seat - size 5		<b>246,500</b>
<b>591</b>	1000-020-19	Sedile IMAF F6 SILVER ROMBO D3 APERTO - misura 1+	IMAF F6 SILVER ROMBO D3 seat OPEN - size 1+	Primo montaggio/First assembly	<b>246,500</b>
	1000-020-20	Sedile IMAF F6 SILVER ROMBO D3 APERTO misura 2	IMAF F6 SILVER ROMBO seat OPEN - size 2		<b>246,500</b>
	1000-020-21	Sedile IMAF F6 SILVER ROMBO D3 APERTO misura 3	IMAF F6 SILVER ROMBO seat OPEN - size 3		<b>246,500</b>
<b>SEDLI F6 FONDO PIATTO VETRORESINA - SEATS F6 FLAT BOTTOM FIBERGLASS</b>					
<b>592</b>	1000-020-02	Sedile IMAF F6 VETRORESINA SOFT - mis. 1	IMAF F6 FIBERGLASS SOFT seat - size 1		<b>187,000</b>
	1000-020-22	Sedile IMAF F6 VETRORESINA SOFT - mis. 1+	IMAF F6 FIBERGLASS SOFT seat - size 1+		<b>187,000</b>
	1000-020-23	Sedile IMAF F6 VETRORESINA SOFT - mis. 2	IMAF F6 FIBERGLASS SOFT seat - size 2		<b>187,000</b>
<b>593</b>	1000-020-24	Sedile IMAF F6 VETROR. EXTRA SOFT - mis. 1	IMAF F6 FIBERGLASS EXTRA SOFT seat - size 1		<b>187,000</b>
	1000-020-25	Sedile IMAF F6 VETROR. EXTRA SOFT - mis. 1+	IMAF F6 FIBERGLASS EXTRA SOFT seat - size 1+		<b>187,000</b>
	1000-020-26	Sedile IMAF F6 VETROR. EXTRA SOFT - mis. 2	IMAF F6 FIBERGLASS EXTRA SOFT seat - size 2		<b>187,000</b>

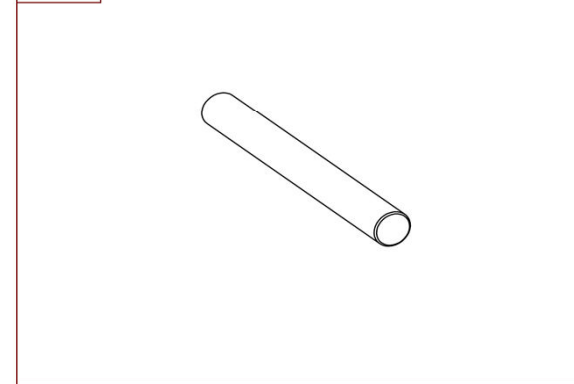
# DREAMER RT20 KZ - OPTIONAL 4

## OPTIONAL 4 DREAMER RT20 KZ

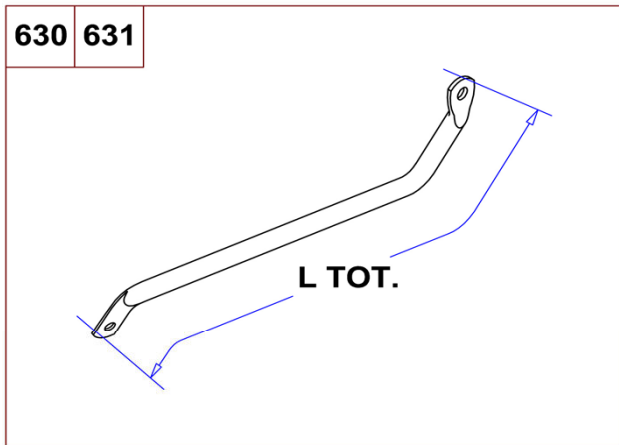
496A 496B 496C 496D 496E 496F 496G



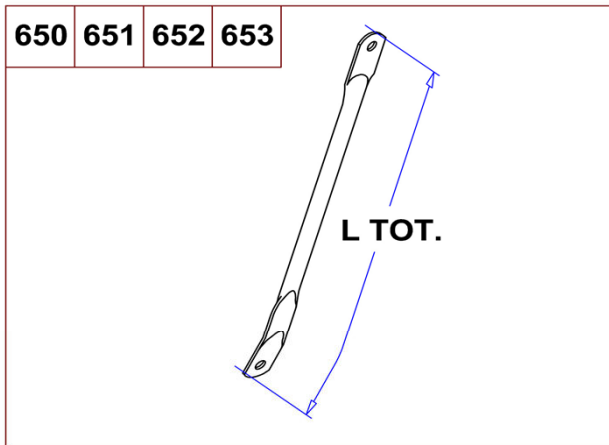
445A



630 631



650 651 652 653



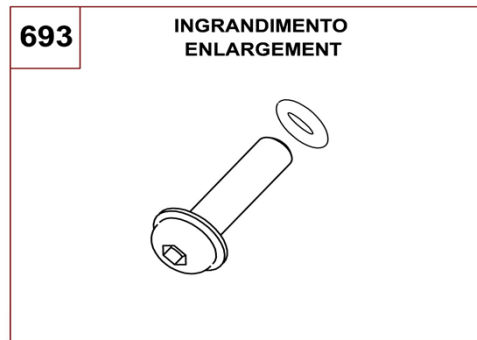
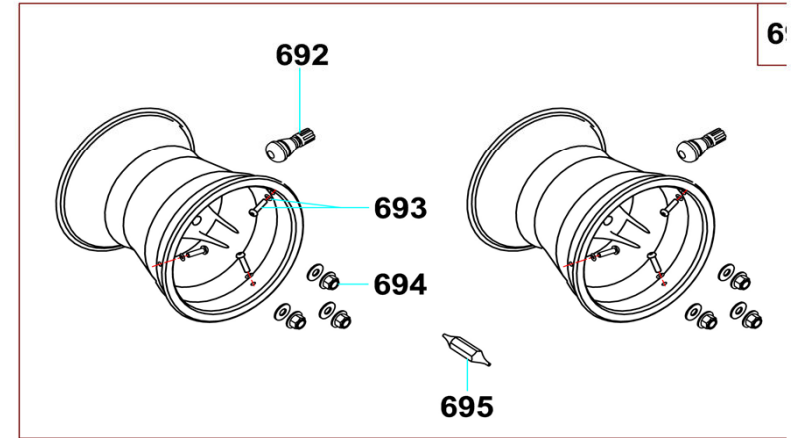
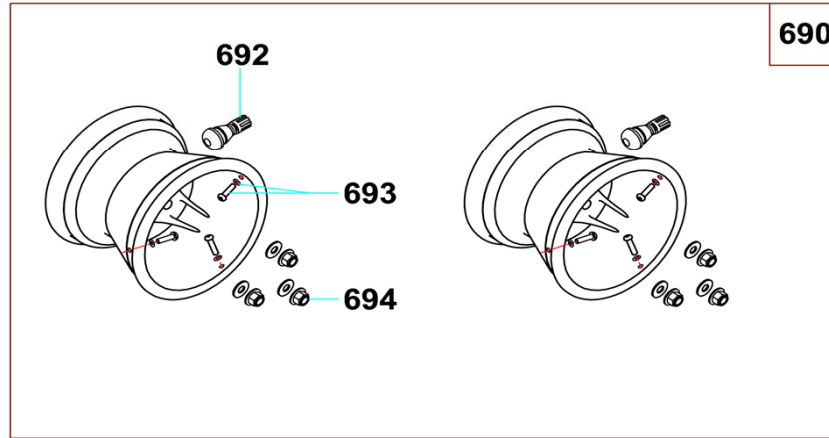
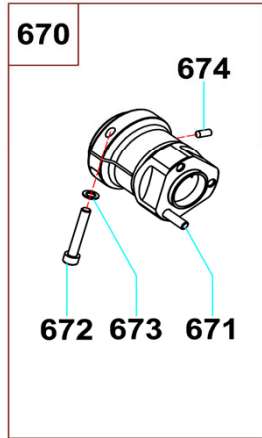


## **DREAMER RT20 KZ - OPTIONAL 4**

<b>Pos.</b>	<b>Cod.</b>	<b>Descrizione</b>	<b>Description</b>	<b>Qt.</b>	<b>Unit Price KRW</b>
<b>496A</b>	1000-034-17	Staffa sedile diritta interasse 230mm	Straight seat strut w.b. 230mm		<b>19,500</b>
<b>496B</b>	1000-034-11	Staffa sedile diritta interasse 240mm	Straight seat strut w.b. 240mm		<b>19,500</b>
<b>496C</b>	1000-034-12	Staffa sedile diritta interasse 250mm	Straight seat strut w.b. 250mm		<b>19,500</b>
<b>496D</b>	1000-034-13	Staffa sedile diritta interasse 260mm	Straight seat strut w.b. 260mm		<b>19,500</b>
<b>496E</b>	1000-034-14	Staffa sedile diritta interasse 270mm	Straight seat strut w.b. 270mm		<b>19,500</b>
<b>496F</b>	1000-034-15	Staffa sedile diritta interasse 280mm	Straight seat strut w.b. 280mm		<b>19,500</b>
<b>496G</b>	1000-034-18	Staffa sedile diritta interasse 300mm	Straight seat strut w.b. 300mm		<b>19,500</b>
<b>435A</b>	1000-074-57	Kit completo fissagg. spoiler NON OMOLOG.	Complete fastening kit for spoiler NOT HOMOLOGATED		<b>103,000</b>
<b>445A</b>	1000-156-20	Barra torsione In Nylon D.30x285 cilindrica	Cylindrical nylon torsion bar D.30x285		<b>107,000</b>
<b>610</b>	1000-074-56	Coppia placche corte fiss. spoiler con 8 viti	Short couple of spoiler fixing plate with 8 screws	1	<b>24,000</b>
<b>611</b>	1000-074-21	Morsetto azzurro con 2 viti e dadi	Blue clamp with 2 screws and nuts	1	<b>10,500</b>
<b>612</b>	1000-074-54	Coppia ganci a scatto spoiler	Couple of snap spoiler fastener	1	<b>73,000</b>
<b>630</b>	1000-034-04	Staffa sedile curva L TOT. 330mm	Bended seat strut L TOT. 330mm		<b>16,000</b>
<b>631</b>	1000-034	Staffa sedile curva L TOT. 410mm	Bended seat strut L TOT. 410mm		<b>16,000</b>
<b>650</b>	1000-034-03	Staffa sedile diritta L TOT. 300mm	Straight seat strut L TOT. 300mm		<b>16,000</b>
<b>651</b>	1000-034-06	Staffa sedile diritta L TOT. 325mm	Straight seat strut L TOT. 325mm		<b>16,000</b>
<b>652</b>	1000-034-02	Staffa sedile diritta L TOT. 350mm	Straight seat strut L TOT. 350mm		<b>16,000</b>
<b>653</b>	1000-034-01	Staffa sedile diritta L TOT. 400mm	Straight seat strut L TOT. 400mm		<b>16,000</b>

# DREAMER RT20 KZ - OPTIONAL 5

## OPTIONAL 5 DREAMER RT20 KZ



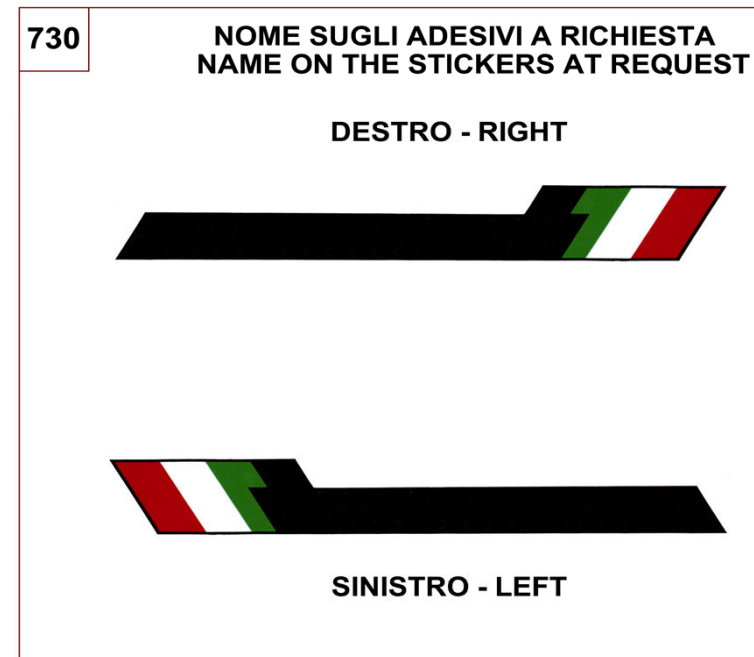
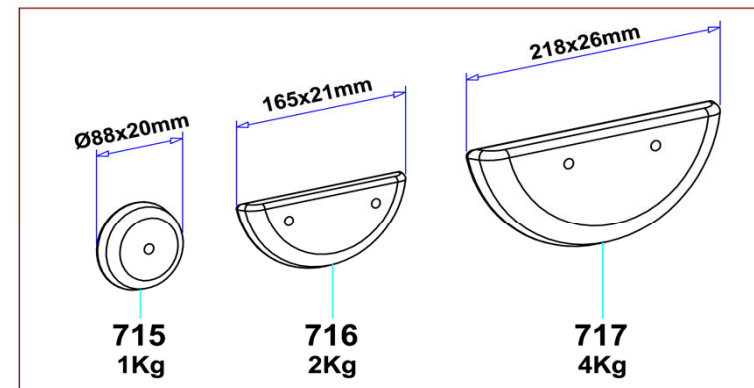
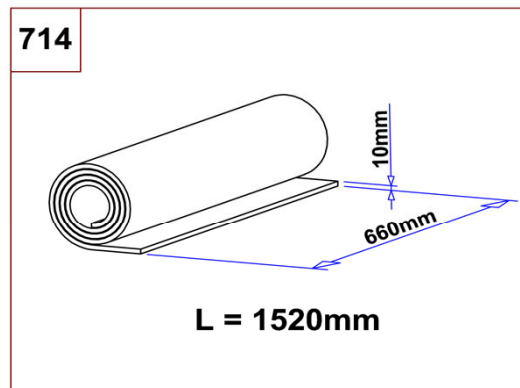
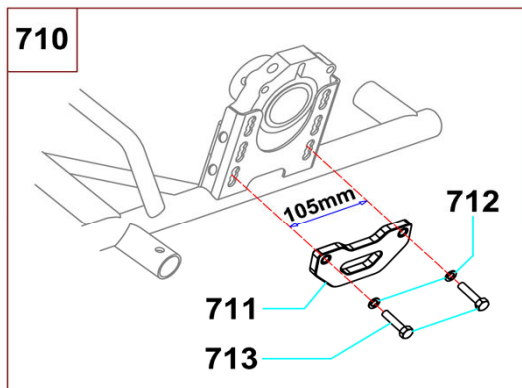
## DREAMER RT20 KZ - OPTIONAL 5

<b>Pos.</b>	<b>Cod.</b>	<b>Descrizione</b>	<b>Description</b>	<b>Qt.</b>	<b>Unit Price KRW</b>
670	1000-143-37	Mozzo poster. ruota compl. D.50x110 magnesio marchiato	Compl. rear magnesium wheel hub D.50x110 marked		134,000
671	1000-152	Prigioniero ruote M8x37	Wheel stud M8x37		3,000
672	NORM-030-01	Vite TCEI M8x40 zincata bianca	Screw TCEI M8x40 white galvanized		1,000
673	1000-056	Rondella in ottone D.8,3xD.13,5x3	Brass washer D.8,3xD,13,5x3		3,500
674	NORM-235-08	Grano M6x16 estremità conica zincato bianco	Headless screw M6x16 conical edge white galvan.		3,000
690	1000-875-30	Coppia cerchi DOUGLAS MG 5" 132LV comp.	Couple wheel rims DOUGLAS MG 5" 132 LV compl.		196,000
691	1000-875-31	Coppia cerchi DOUGLAS MG 5" 212LV comp.	Couple wheel rims DOUGLAS MG 5" 212LV compl.		205,000
692	1000-091	Valvola per cerchio ruota tubeless	Tubeless wheel rim valve		3,500
693	1000-876-04	Vite anti stallon. con OR DOUGLAS (conf. <b>100PZ</b> )	Bead locks with OR DOUGLAS (package of <b>100PCS</b> )	100 min	149,000
694	1000-021-05	Dado flangiato ch.10 DOUGLAS (confez. <b>50PZ</b> )	Flanged nut hexag. 10 DOUGLAS (package of <b>50PCS</b> )	50 min	27,000
695	1000-218-10	Chiave DOUGLAS smontaggio valvola	DOUGLAS valve disassembly key		6,000

# DREAMER RT20 KZ - ACCESSORI - ACCESSORIES

## ACCESSORI - ACCESSORIES

## DREAMER RT20 KZ



## DREAMER RT20 KZ - ACCESSORI - ACCESSORIES

<b>Pos.</b>	<b>Cod.</b>	<b>Descrizione</b>	<b>Description</b>	<b>Qt.</b>	<b>Unit Price KRW</b>
710	1000-149-03	Kit protezione plastica disco freno	Plastic brake disc protection kit	1	75,000
711	1000-149-03/2	Protezione plastica disco freno	Plastic brake disc protection	1	73,000
712	1000-078-01	Rondella piana D.8xD.18x3 zincata bianca	Flat washer D.8xD.18x3 white galvanized	2	1,000
713	NORM-228	Vite TE M8x35 zincata bianca	Screw TE M8x35 white galvanized	2	5,000
714	KACC-046	Rotolo spugna adesiva per sedile	Adhesive sponge roll for seat		90,000
715	1000-214	Zavorra circolare 1Kg	Circular ballast 1Kg		37,000
716	1000-214-01	Zavorra mezza luna 2Kg	Half moon ballast 2Kg		74,000
717	1000-214-02	Zavorra mezza luna 4Kg	Half moon ballast 4Kg		147,000
718	1000-098-14	Set numeri adesivi racing "0-9" totale 100 pz. Include : n° 10 adesivi di ogni numero	Set racing sticker number "0-9" total 100 pcs. Includes : N° 10 stickers of each number	1	237,000
719	1000-098-15	Set numeri adesivi racing "0-9" totale 500 pz. Include : n° 50 adesivi di ogni numero	Set racing sticker number "0-9" total 500 pcs. Includes : N° 50 stickers of each number	1	1,038,000
720	1000-098-04	Numero adesivo singolo racing "1"	Single racing sticker number "1"	1	3,600
721	1000-098-05	Numero adesivo singolo racing "2"	Single racing sticker number "2"	1	3,600
722	1000-098-06	Numero adesivo singolo racing "3"	Single racing sticker number "3"	1	3,600
723	1000-098-07	Numero adesivo singolo racing "4"	Single racing sticker number "4"	1	3,600
724	1000-098-08	Numero adesivo singolo racing "5"	Single racing sticker number "5"	1	3,600
725	1000-098-09	Numero adesivo singolo racing "6"	Single racing sticker number "6"	1	3,600
726	1000-098-10	Numero adesivo singolo racing "7"	Single racing sticker number "7"	1	3,600
727	1000-098-11	Numero adesivo singolo racing "8"	Single racing sticker number "8"	1	3,600
728	1000-098-12	Numero adesivo singolo racing "9"	Single racing sticker number "9"	1	3,600
729	1000-098-13	Numero adesivo singolo racing "0"	Single racing sticker number "0"	1	3,600
730	1000-072-13	Set adesivi con nome pilota Include : n° 5 adesivi destri n° 5 adesivi sinistri	Stickers set with driver name Includes : n° 5 right stickers n° 5 left stickers	1	119,000

ACCESSORI/ACCESSORIES - Non forniti con il telaio/Not supplied with the chassis





## DREAMER RT20 KZ INFORMAZIONI GENERALI DREAMER RT20 KZ GENERAL INFO

<b>COD.</b>	<b>DESCRIZIONE</b>	<b>DESCRIPTION</b>	<b>UNIT PR.</b> KRW	<b>BOX DIMEN.</b> <b>WxDxH (cm)</b>	<b>PESO - WE</b> <b>(Kg.)</b>
1000-T04-08	DREAMER RT20 KZ	DREAMER RT20 KZ	7,470,000	176x111x61	1 = 75 / 2 =

**Attenzione ! : Il telaio sopra indicato e relativo prezzo si intende SEMPRE SENZA pneumatici.**

**Attention ! :The above indicated chassis and price is intended ALWAYS WITHOUT tires.**

**Attenzione ! : L' imballo può contenere fino a 2 telai. Le dimensioni e i pesi indicati sono comprensivi di pallet in legno.**

**Attention ! : The box contents up to 2 chassis. The indicated dimensions and weights include wood pallet.**

---

Top-Kart S.R.L. si riserva il diritto di effettuare modifiche ai propri prodotti e ai propri prezzi in qualsiasi momento e senza preavviso.

Top-Kart S.R.L. non si ritiene responsabile per eventuali differenze fra informazioni del catalogo e i relativi prodotti.

I prezzi indicati sono IVA ESCLUSA e franco fabbrica.

Top-Kart S.R.L. reserves the right to make modifications on the products and on the prices at any moment without notice.

Top-Kart S.R.L. is not responsible for eventual differences between the catalogue information and the products.

The indicated prices are without VAT and ex-works.



4-3, Pyeongchon 2-ro 1beon-gil, Giheung-gu, Yongin-si Gyeonggi-do, Republic of Korea

Tel. 070 4353 6600 - Fax 0303 3130 6600

Email. admin@dma.ac.kr