

TOP-Kart®



DREAMER OK OKJ RT20



DREAMER OK OKJ RT20

INDICE - INDEX

NOTE - NOTES	PAG. 2
CARATTERISTICHE TECNICHE - TECHNICAL FEATURES	PAG. 3 - 4
RICAMBI - SPARE PARTS : SCOCCA, GRUPPO STERZO, PEDALI, MOZZI ANTERIORI (DISEGNO 1) - CHASSIS, STEERING GROUP, PEDALS, FRONT WHEEL HUBS (DRAWING 1)	PAG. 5 - 10
RICAMBI - SPARE PARTS : ASSALE E SUOI COMPONENTI, GRUPPO FRENANTE, PEDANA (DISEGNO 2) - REAR AXLE AND ITS COMPONENTS, BRAKE SYSTEM, FLOOR PANEL (DRAWING 2)	PAG. 11 - 14
RICAMBI - SPARE PARTS : DISCO FRENO D.192 (DISEGNO 2A) - BRAKE DISC D.192 (DRAWING 2A)	PAG. 15 - 16
RICAMBI - SPARE PARTS : PINZA FRENO (DISEGNO 2B) - BRAKE CALIPER (DRAWING 2B)	PAG. 17 - 18
RICAMBI - SPARE PARTS : POMPA FRENO (DISEGNO 2C) - BRAKE PUMP (DRAWING 2C)	PAG. 19 - 20
RICAMBI - SPARE PARTS : ASTA FRENO (DISEGNO 2D) - BRAKE BAR (DRAWING 2D)	PAG. 21 - 22
RICAMBI - SPARE PARTS : CAVO DI SICUREZZA FRENO (DISEGNO 2E) - SAFETY BRAKE CABLE (DRAWING 2E)	PAG. 23 - 24
RICAMBI - SPARE PARTS : SERBATOIO, SEDILE, SUPPORTI VARI, PARACATENA (DISEGNO 3) - FUEL TANK, SEAT, SUPPORTS, CHAIN GUARD (DRAWING 3)	PAG. 25 - 28
RICAMBI - SPARE PARTS : CARENATURE, SPOILER ANTERIORE, SUPPORTI, BARRE DI TORSIONE (DISEGNO 4) - FAIRINGS, FRONT SPOILER, SUPPORTS, TORSION BARS (DRAWING 4)	PAG. 29 - 30
RICAMBI - SPARE PARTS : PARAURTI POSTERIORE, SUPPORTI MOTORE, CERCHI RUOTA (DISEGNO 5) - REAR BUMPER, ENGINE MOUNTS, WHEEL RIMS (DRAWING 5)	PAG. 31 - 32
RICAMBI - SPARE PARTS : ADESIVI (DISEGNO 5A) - STICKERS (DRAWING 5A)	PAG. 33 - 34
RICAMBI - SPARE PARTS : APPOGGIAPIEDI (DISEGNO 6) - FOOT REST (DRAWING 6)	PAG. 35 - 36
OPTIONALS	PAG. 37 - 48
ACCESSORI - ACCESSORIES	PAG. 49 - 50
INFORMAZIONI GENERALI E PREZZO TELAIO - GENERAL INFO AND CHASSIS PRICE	PAG. 51

**** LA NUMERAZIONE DEI COMPONENTI (Pos.) E' PROGRESSIVA

**** THE NUMBERING OF THE COMPONENTS (Pos.) IS PROGRESSIVE



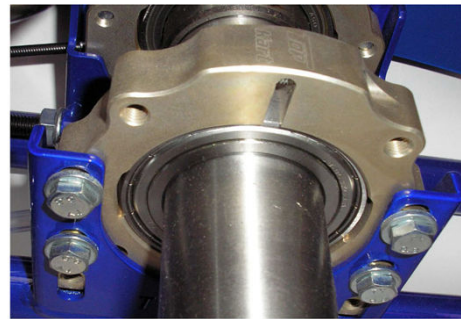
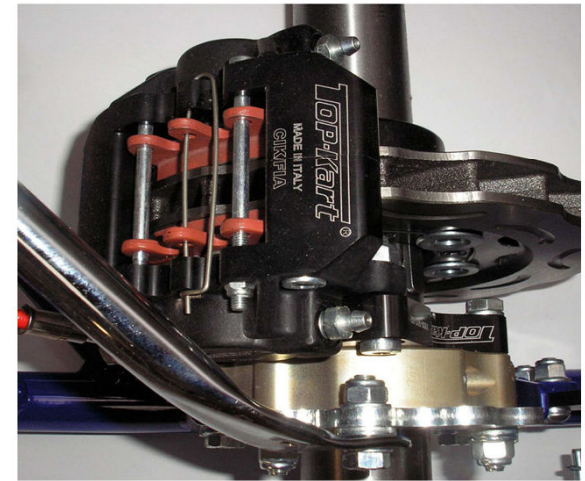
NOTE – NOTE

A large area of the page is filled with horizontal dotted lines, providing a space for handwritten notes or observations.

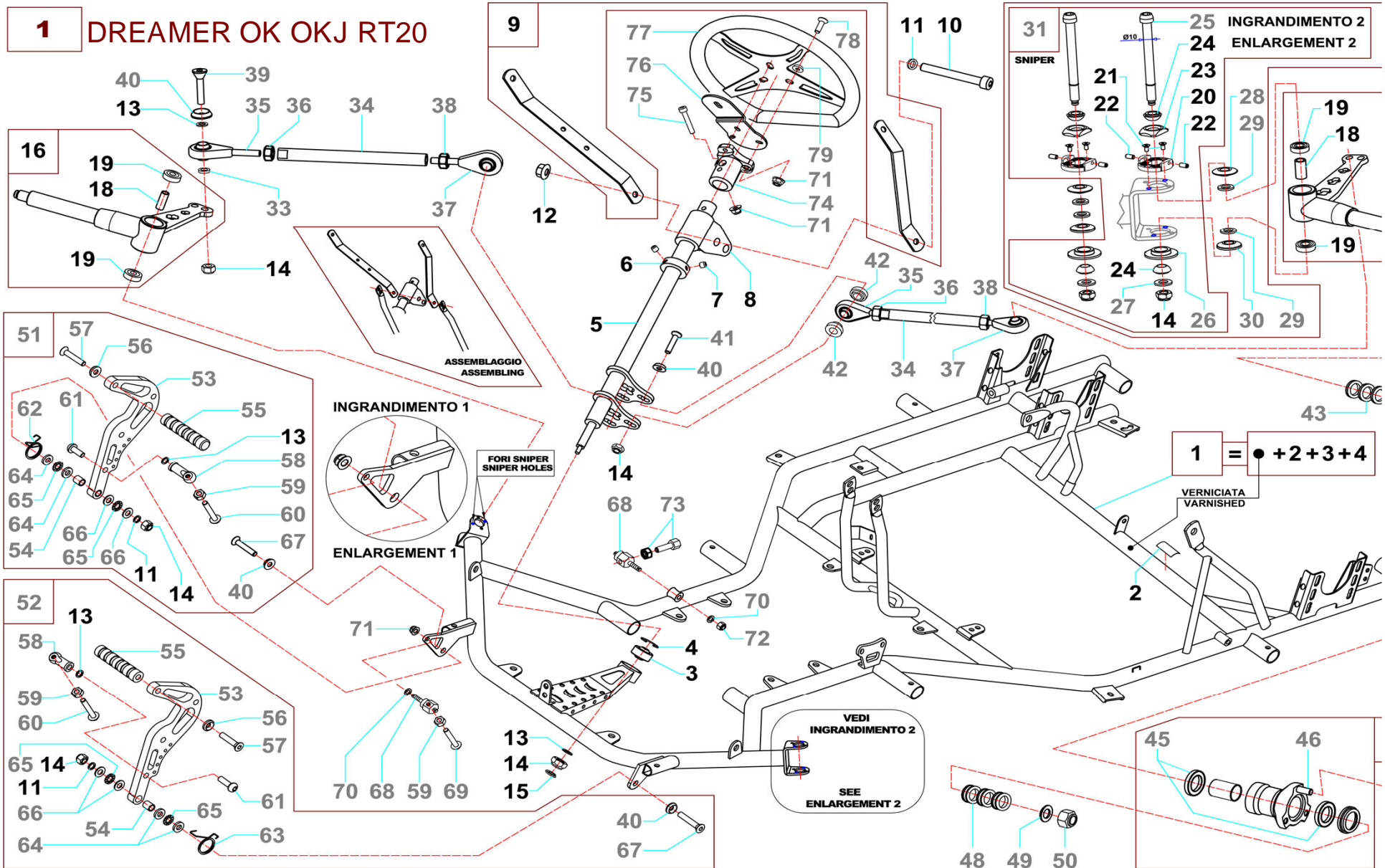
DREAMER OK OKJ RT20

CARATTERISTICHE - FEATURES

- * Omologazione CIK/FIA : 011-CH-15 -- CIK/FIA homologation : 011-CH-15
- * Scocca 25CrMo4 D.30/32mm -- Frame 25CrMo4 D.30/32mm
- * Passo 1040mm -- Wheelbase 1040mm
- * Assale D.50x1030x2 -- Rear Axle D.50x1030x2
- * Flange portacuscinetto in magnesio -- Magnesium bearing flanges
- * Altezza anteriore e posteriore regolabile -- Adjustable front and rear ride height
- * Piantone con tre posizioni di sterzata -- Steering column with three Ackerman positions
- * Pedali in alluminio anodizzato nero, con sistema a molla -- Aluminum pedals w / spring system
- * Set ruote in magnesio TOP-KART 130-210 colore antracite-- Magnesium wheels set TOP-KART 130-210 anthracite color
- * Mozzi ruota anteriori/posteriori in magnesio (ant.91mm, post. 93mm) -- Magnesium front/rear wheel hubs (ant.91mm, post. 93mm)
- * Fuselli cromati con perno D.25mm -- Chrome stub axles with D.25mm shaft
- * Impianto frenante V11, con recupero del gioco -- Self adjusting V11 brake system
- * Supporto pinza freno in lega leggera anodizzato nero -- Light alloy brake caliper support black anodized
- * Sedile IMAF F6 Silver con logo TOP-KART -- Seat IMAF F6 Silver with TOP-KART logo
- * Serbatoio smontabile 9,0lt. -- Removable fuel tank 9,0lt.
- * Volante in alcantara decorato TOP-KART, con supporto strumentazione -- TOP-KART decorated alcantara steering wheel, with computer support
- * Spoiler anteriore KG 506 bianco perla, con sistema di aggancio CIK -- Front spoiler KG 506 pearl white, with CIK fixing system
- * Carene laterali KG 506 bianco perla -- Side pods KG 506 pearl white
- * Frontalino portanumero KG 506 bianco perla -- Nasa panel KG 506 pearl white
- * Paraurti posteriore KG Clob Black -- Rear spoiler KG Clob Black
- * Supporto marmitta regolabile in acciaio brunito -- Adjustable burnished steel muffler support
- * Grafiche TOP-KART, incluso pianale, serbatoio e protezione catena-- TOP-KART graphics, including floor panel, fuel tank and chainguard
- * Piastra motore in magnesio, disponibile con foratura 115x80 (IAME) o 102x80 (ROTAX) -- Magnesium engine mount, available with holes 115x80 (IAME) or 102x80 (ROTAX)
- * Poggiapiedi regolabile in alluminio anodizzato nero/bianco -- Adjustable aluminum foot rest black/white anodized



DREAMER OK OKJ RT20 (disegno 1) - (drawing 1)



TOP-Kart

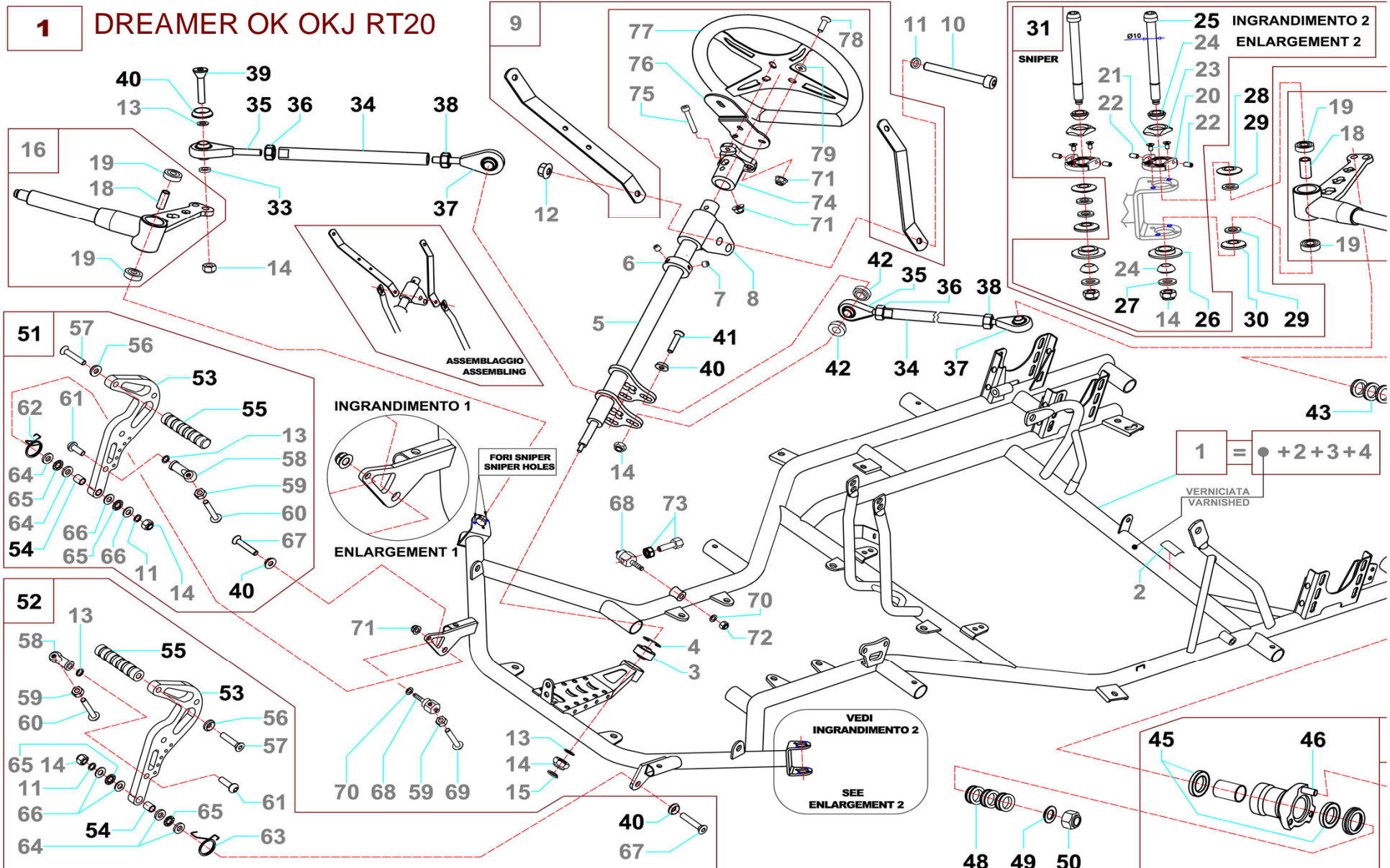
DREAMER OK OKJ RT20 (disegno 1) - (drawing 1)

Pos.	Cod.	Descrizione	Description	Qt.	Unit Price KRW
1	1000-069-49	Scocca DREAMER RT20 30/32 verniciata con uniball, seeger e adesivo CIK 011-CH-15	Varnished frame DREAMER RT20 30/32 with uniball, seeger and sticker CIK 011-CH-15	1	1,820,000
2	1000-072-94	Adesivo omologa DREAMER 011-CH-15	DREAMER 011-CH-15 homologation sticker	1	9,500
3	1000-130	Uniball piantone sterzo foro 8mm	Steering column uniball 8mm hole	1	2,900
4	1000-131	Seeger int. D.22 per uniball piantone sterzo	Seeger D.22 for steering column uniball	1	1,000
5	1000-748-03	Piant. sterzo doppia placca 43-D.20x69x28,5 L=480 RACING	Steering column double plate 43-D.20x69x28,5 L=480 RACING	1	98,000
5A**	1000-748-01	Piant. sterzo doppia placca 38 D.20x59x28,5 L=480	Steering column double plate 38 D.20x59x28,5 L=480		98,000
6	1000-749-01	Anello ferma piant. sterzo allum. anod. nero	Locking ring for steering column black anod.	1	15,000
7	1000-146	Grano M6x6 estremità conica zigrinata	Headless screw M6x6 conical knurled edge	2	3,000
8	1000-122-05	Supporto in Nylon blu piant. sterzo fori D.8,5	Steering column support Nylon blu holes D.8,5	1	8,000
9	1000-121-26	Kit supporti superiori frontalino	Front panel kit supports	1	23,000
10	1000-123	Vite TCEI M8x65 zincata bianca	Screw TCEI M8x65 white galvanized	1	1,500
11	1000-152-03	Rondella piana D.8,4x15x1,5 zincata bianca	Flat washer D. 8,4x15x1,5 white galvanized	3	1,000
12	1000-015-01	Dado flangiato autobloccante M8x10,8	Self locking flanged nut M8x10,8	1	1,000
13	1000-036-04	Rondella piana D.8,4x13x1 zincata bianca	Flat washer D. 8,4x13x1 white galvanized	5	500
14	1000-015	Dado autobloccante M8x8	Self locking nut M8x8	9	1,000
15	1000-197	Anello di arresto speciale D.4	Special lock ring D. 4	1	1,500
16	1000-114-32	Fus. compl. destro vite M10 D.25x92,5 10,25°	Compl. right spindle wheel M10 screw D.25x92,5 10,25°	1	172,000
16A**	1000-114-30	Fus. compl. destro vite M10 D.25x92,5 10,5°	Compl. right spindle wheel M10 screw D.25x92,5 10,5°		172,000
16B**	1000-114-34	Fus. compl. destro vite M10 D.25x92,5 10,75°	Compl. right spindle wheel M10 screw D.25x92,5 10,75°		172,000
**		VEDERE ANCHE OPTIONAL 1 PAG. 37/38	SEE ALSO OPTIONAL 1 PAGE 37/38		
17	1000-114-33	Fus. compl. sinistro vite M10 D.25x92,5 10,25°	Compl. left spindle wheel M10 screw D.25x92,5 10,25°	1	14,500
17A**	1000-114-31	Fus. compl. sinistro vite M10 D.25x92,5 10,5°	Compl. left spindle wheel M10 screw D.25x92,5 10,5°		172,000
17B**	1000-114-35	Fus. compl. sinistro vite M10 D.25x92,5 10,75°	Compl. left spindle wheel M10 screw D.25x92,5 10,75°		172,000
**		VEDERE ANCHE OPTIONAL 1 PAG. 37/38	SEE ALSO OPTIONAL 1 PAGE 37/38		
18	1000-118-08	Distanz. cuscinetti fusello D.10,2xD.14X23,9	Spacer D.10,2xD.14x23,9 for spindle bearings	2	14,500
19	1000-117-01	Cuscinetto D.10xD.26x8 6000 ZZ	Bearing D.10xD.26x8 6000 ZZ	4	23,000
20	1000-116-06	Caster porta piastrina A - AFS.02352	Caster support A - AFS.02352	2	40,000
21	1000-115	Vite TSPEI M4x10 zincata bianca	Screw TSPEI M4x10 white galvanized	4	500
22	NORM-235-05	Grano M5x10 estremità piatta	Headless screw M5x10 flat edge	4	2,500
23	1000-116-07	Caster piastrina alta B - AFS.02353	Caster high B - AFS.02353	2	21,000
24	1010-FBG-68	Boccola mezza sfera D.10 - FZ0.02450	Bushing half caster D.10 - FZ0.02450	4	10,000

**** OPTIONAL - Non fornito con il telaio/Not supplied with the chassis**

**continua a pag. 08
continues on pag. 08**

DREAMER OK OKJ RT20 (disegno 1) - (drawing 1)



TOP-Kart

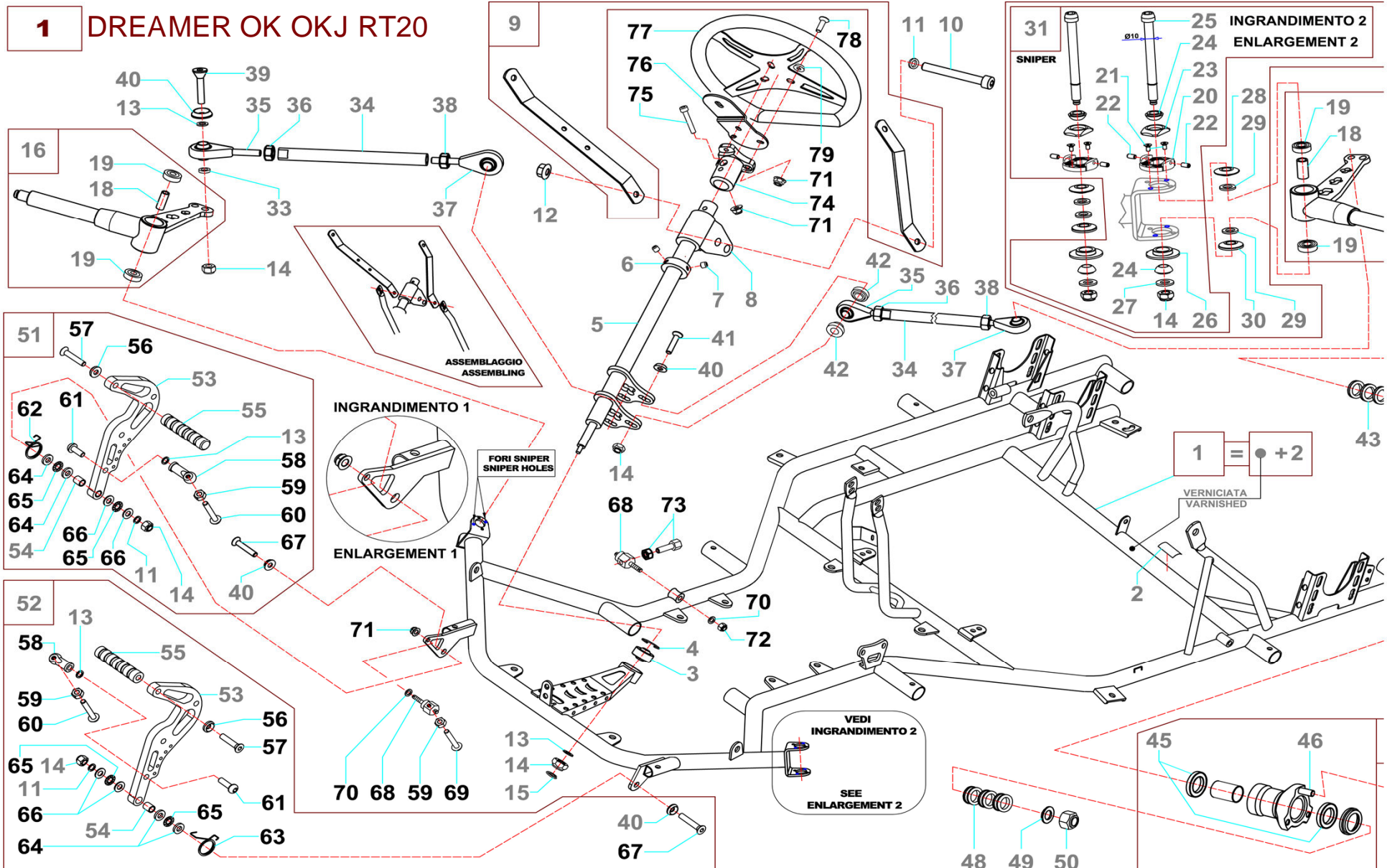
DREAMER OK OKJ RT20 (disegno 1) - (drawing 1)

Pos.	Cod.	Descrizione	Description	Qt.	Unit Price KRW
25	1010-FBG-51	Vite fusello M10x111 - FBN.02401	Stub axle bolt M10x111 - FBN.02401	2	18,000
26	1010-FBG-69	Boccola caster fisso - FZ0.01602	Fixed caster bush - FZ0.01602	2	21,500
27	1010-FBG-70	Rondella D.10xD.20x2 - AFN.01637	Washer D.10xD.20x2 - AFN.01637	2	1,000
28	1010-FBG-48	Spessore biconico D.10xD.28x6 - FZ0.01719	Double cone spacer D.10xD.28x6 - FZ0.01719	2	11,000
29	1000-021-04	Rondella piana D.10,5xD.18x2 zincata bianca	Flat washer D.10,5xD.18x2 white galvanized	4	500
30	1010-FBG-47	Spess. piano/con. D.10xD.28x6 - FZ0.01607	Spacer flat/cone D.10xD.28x6 - FZ0.01607	2	11,000
31	1010-FBG-46	Set SNIPER D.10 - FK0.02352	SNIPER Set D.10 - FK0.02352	1	217,000
32	1010-FBG-49	Set completo SNIPER D.10	Complete Set SNIPER D.10	1	261,000
**		VEDERE OPTIONAL 2 PAG. 39/40	SEE OPTIONAL 2 PAGE 39/40		
33	1000-056	Rondella in ottone D.8,3xD.13,5x3	Brass washer D.8,3xD.13,5x3	2	3,500
34	1000-119-03	Braccetto sterzo L = 264mm D.13 anod. nero	Steering arm L = 264mm D.13 black anodized	2	24,500
35	1000-125	Uniball sterzo D.8 filetto maschio M8 sinistro	D.8 steering uniball left male M8 thread	2	36,000
36	1000-128	Dado M8x8 filetto sinistro	M8x8 left thread nut	2	3,000
37	1000-110	Uniball sterzo D.8 filetto maschio M8 destro	D.8 steering uniball right male M8 thread	2	36,000
38	1000-108	Dado M8x8 filetto destro	M8x8 right thread nut	2	1,000
39	1000-141	Vite TSPEI M8x40 zincata bianca	Screw TSPEI M8x40 white galvanized	2	1,500
40	1000-078	Rondella conica svasata D.8 alluminio	Conical countersunk aluminum washer D.8	6	4,500
41	NORM-026-01	Vite TSPEI M8x50 zincata bianca	Screw TSPEI M8x50 white galvanized	2	1,500
42	1000-104-07	Bussola distanziatrice	Spacing bush	4	7,000
43	1000-112-03	Spessore mozzo D.25xD.30x5 in alluminio	Aluminum hub spacer D.25xD.30x5	6	5,500
44	1000-092-22	Mozzo ruota anter. magnesio compl. D.25x91	Compl. magnesium front wheel hub D.25x91	2	94,000
44A**	1000-143-36	Mozzo ruota anter. magnesio compl. D.25x81	Compl. magnesium front wheel hub D.25x81		94,000
45	1000-093-05	Cuscinetto D.25xD.42x9 61905 2Z	Bearing D.25xD.42x90 61905 2Z	4	18,000
46	1000-152	Prigioniero ruote M8x37	Wheel stud M8x37	6	3,000
47	1000-015-03	Dado flangiato autobloccante M8 ch.10	Self locking flanged nut M8 key 10	6	5,000
48	1000-113-03	Spessore mozzo D.25xD.30x10 in alluminio	Aluminum hub spacer D.25xD.30x10	6	6,500
49	1000-111-01	Rondella conica D.14xD.30x3 zincata bianca	Conical washer D.14xD.30x3 white galvanized	2	3,500
50	1000-111	Dado autobloccante M14x1,5x14	Self locking nut M14x1,5x14	2	3,000
51	1000-007-09	Pedale acceler. compl. in allum. anod. nero	Compl. alumin. acceler. pedal black anodized	1	145,000
52	1000-057-05	Pedale freno compl. in allum. anod. nero	Compl. alumin. brake pedal black anodized	1	145,000
53	1000-007-15	Corpo pedale acceleratore e freno	Accelerator and brake body pedal	2	151,000
54	1000-715-01	Gabbia a rulli D.8xD.12x10 Hk0810	Roller cage D.8xD.12x10 HK0810	2	14,500
55	1000-076-17	Barra in alluminio D.20x92 anodizzata nera	Aluminum bar D.20x92 black anodized	2	31,500

** OPTIONAL - Non fornito con il telaio/Not supplied with the chassis

continua a pag. 10
continues on pag. 10

DREAMER OK OKJ RT20 (disegno 1) - (drawing 1)



TOP-Kart

DREAMER OK OKJ RT20 (disegno 1) - (drawing 1)

Pos.	Cod.	Descrizione	Description	Qt.	Unit Price KRW
56	1000-007-16	Rondella conica allum. D.8xD.20 anod. nera	Conical counters. alum. Wash.D.8xD.20 black an.	2	6,000
57	1000-019-01	Vite TSPEI M8x35 zincata bianca	Screw TSPEI M8x35 white galvanized	2	1,000
58	1000-055-03	Colonna per vite registro ritorno pedale	Column for screw register pedal return	2	14,000
59	1000-005	Dado M6x6	M6x6 nut	3	500
60	NORM-003-06	Vite TBEI M6x50 zincata bianca	Screw TBEI M6x50 white galvanized	2	1,500
61	NORM-003-08	Vite TBEI M8x18 zincata bianca	Screw TBEI M8x18 white galvanized	2	1,500
62	1000-055-04	Molla richiamo pedale acceleratore	Return spring accelerator pedal	1	16,500
63	1000-055-05	Molla richiamo pedale freno	Return spring brake pedal	1	16,500
64	NORM-048-13	Ralla D.8xD.20x1 AS0821	Washer D.8xD.20x1 AS0821	4	5,000
65	NORM-042-09	Gabbia assiale D.8xD.21x2 AXK0821	Axial cage D.8xD.21x2 AXK0821	4	14,500
66	NORM-048-14	Ralla D.8xD.20x2,75 LS0821	Washer D.8xD.20x2,75 LS0821	4	9,500
67	1000-141-01	Vite TSPEI M8x45 zincata bianca	Screw TSPEI M8x45 white galvanized	2	1,500
68	1000-057-15	Boccola porta vite registro M6x20	Register screw bush M6x20	2	17,000
69	1000-073-01	Vite flangiata TBEI M6x40 zincata bianca	Flanged screw TBEI M6x40 white galvanized	1	1,500
70	NORM-038	Rondella piana D.6,5xD.12x1,6 zincata bianca	Flat washer D.6,5xD.12x1,6 white galvanized	2	1,000
71	1000-003	Dado flangiato autobloccante M6x9	Self locking flanged nut M6x9	5	1,000
72	1000-016	Dado autobloccante M6x6	Self locking nut M6x6	1	1,000
73	1000-044	Vite registro cavo con dado	Cable setting screw with nut	1	5,500
74	1000-103-09	Supporto volante incl. 15° in allum. anod. nero	15° inclined alu. steering wheel supp. black anod.	1	101,000
75	1000-120	Vite TCEI M6x35 zincata bianca	Screw TCEI M6x35 white galvanized	1	1,000
76	1000-103-06	Supporto strumentazione TOP 17	TOP 17 instruments support	1	4,000
77	1000-102-11	Volante D.340 in alcantara TOP 17 4R	Steering wheel D.340mm TOP 17 4R	1	219,000
77A**	1000-102-10	Volante D.330 in alcantara TOP 17 4R	Steering wheel D.330mm TOP 17 4R		219,000
78	NORM-006-05	Vite TSPEI M6x35 zincata bianca	Screw TSPEI M6x35 white galvanized	3	1,500
79	1000-002	Rondella conica svasata D.6 alluminio	Conical countersunk aluminum washer D.6	3	4,000

** OPTIONAL - Non fornito con il telaio/Not supplied with the chassis

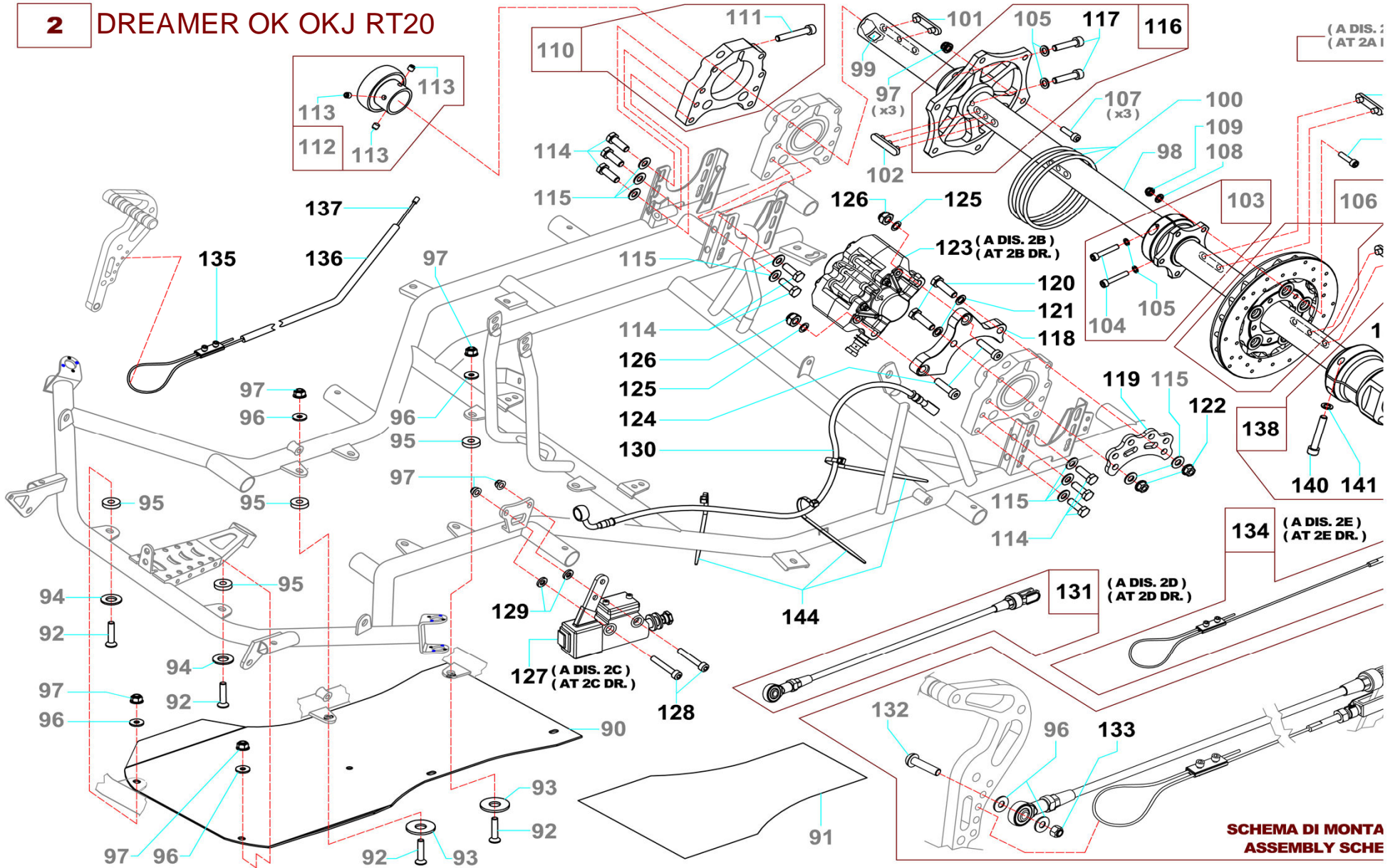
DREAMER OK OKJ RT20 (disegno 2) - (drawing 2)

Pos.	Cod.	Descrizione	Description	Qt.	Unit Price KRW
90	1000-063-31	Pedana DREAMER RT20 senza adesivi	Floor panel DREAMER RT20 without stickers	1	132,000
91	1000-072-10	Adesivo pedana TOP 20 universale	Universal floor panel sticker TOP 20	1	145,000
92	1000-101	Vite TSPEI M6x25 zincata bianca	Screw TSPEI M6x25 white galvanized	6	1,000
93	1000-031-01	Rondella piana D.10,5xD.30x2,5 zinc. bianca	Flat washer D.10,5x30x2,5 white galvanized	4	500
94	1000-021-04	Rondella piana D.10,5xD.18x2 zincata bianca	Flat washer D.10,5xD.18x2 white galvanized	2	1,000
95	1000-061	Rondella piana in gomma D.5,7xD.20x4 blu	Flat rubber washer D.5,7xD.20x4 blu	6	1,000
96	1000-062	Rondella piana D.6,5x18x2 zincata bianca	Flat washer D. 6,5x18x2 white galvanized	8	1,000
97	1000-003	Dado flangiato autobloccante M6x9	Self locking flanged nut M6x9	11	1,000
98	1000-138-27	Assale D.50x1030x2 ORO - MEDIO DURO	Rear Axle D.50x1030x2 GOLD - MEDIUM HARD	1	270,500
98A**	1000-138-24	Assale D.50x1030x2,25 BIANCO - SUP. MORB.	Rear Axle D.50x1030x2,25 WHITE - SUPER SOFT		270,500
98B**	1000-138-26	Assale D.50x1030x2 ARANCIO - MORBIDO	Rear Axle D.50x1030x2 ORANGE - SOFT		270,500
98C**	1000-138-11	Assale D.50x1030x2 BLU - MEDIO	Rear Axle D.50x1030x2 BLUE - MEDIUM		270,500
98D**	1000-138-28	Assale D.50x1030x2 VERDE - DURO	Rear Axle D.50x1030x2 GREEN - HARD		270,500
99**	1000-072-20	Bollino adesivo CIK-FIA assale	CIK-FIA rear axle sticker		24,000
100	1000-917	OR Ø120x5 NBR	OR Ø120x5 NBR	3	5,000
101	1000-153-01	Chiavetta a 2 pioli Ø7,2 - 8x60	Key 2 pegs Ø7,2 - 8x60	3	21,000
102	1000-153-02	Chiavetta a 3 pioli Ø7,2 - 8x60	Key 3 pegs Ø7,2 - 8x60	1	23,000
103	1010-FBG-03	Mozzo porta disco D.50 completo alluminio V05/09/11 - FMN.00238	Complete D.50 aluminum disc hub V05/09/11 - FMN.00238	1	109,000
104	1000-049	Vite TCEI M6x40 zincata bianca	Screw TCEI M6x40 white galvanized	2	1,000
105	1000-150-01	Rondella piana D.6,5xD.10x1,5 zincata bianca	Flat washer D.6,5xD.10x1,5 white galvanized	4	500
106	1010-FBG-100	Disco freno comp. autov. flott. Ø192 - V11 destro	Complete right vent./float. disc Ø192 - V11	1	291,000
	**	VEDERE OPTIONAL 3 PAG. 41/42	SEE OPTIONAL 3 PAGE. 41/42		
107	NORM-098-01	Vite TCEI M6x20 brunita	Screw TCEI M6x20 burnished	8	1,500
108	1000-133	Rondella ondulata D.6xD.12x0,5	Wave washer D.6xD.12x0,5	5	1,000
109	1000-158	Dado autobloccante M6x6 metal block	Self locking nut M6x6 metal block	5	1,000
110	1000-139-12	Flangia in magnesio D.int.80 compl. march.	Compl.magnesium flange int. D.80 marked	3	116,500
111	1000-004	Vite TCEI M6x30 zincata bianca	Screw TCEI M6x30 white galvanized	3	1,000
112	1000-135-08	Cuscinetto assale D.50xD.80x36,5 C4	Axle bearing D.50xD.80x36,5 C4	3	53,500
113	1000-146-03	Grano M8x1x8 estremità conica zigrinata	Headless screw M8x1x8 conical knurled edge	9	7,500
114	NORM-054	Vite TE M8x25 zincata bianca	Screw TE M8x25 white galvanized	16	1,000
115	1000-078-01	Rondella piana D.8xD.18x3 zincata bianca	Flat washer D.8xD.18x3 white galvanized	18	1,000

** OPTIONAL - Non fornito con il telaio/Not supplied with the chassis

continua a pag. 14
continues on pag. 14

DREAMER OK OKJ RT20 (disegno 2) - (drawing 2)



DREAMER OK OKJ RT20 (disegno 2) - (drawing 2)

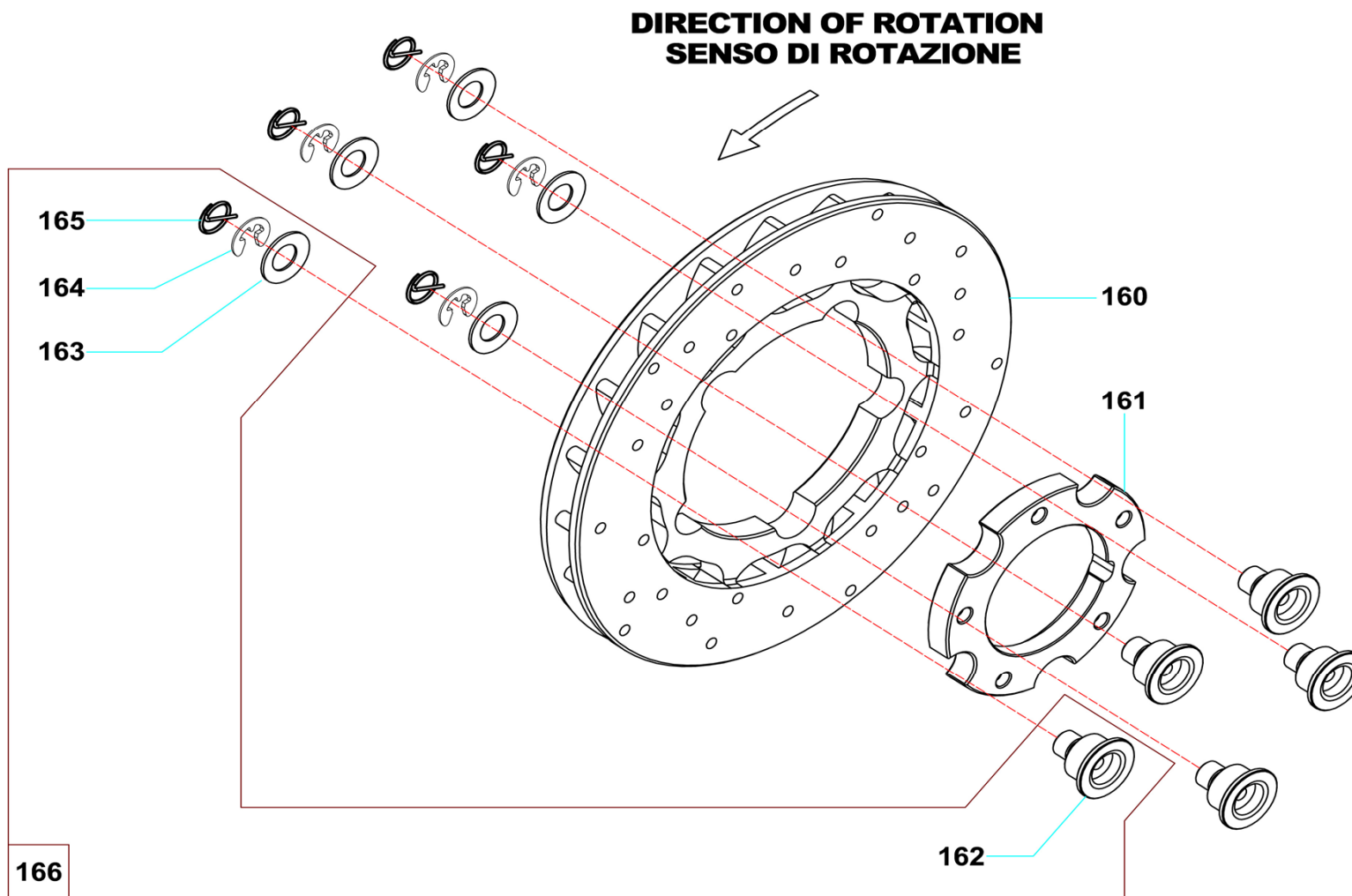
Pos.	Cod.	Descrizione	Description	Qt.	Unit Price KRW
116	1000-151-14	Mozzo p/cor. ergal D.50 comp. nero e march.	Compl. ergal raer sproket hub D.50 black and mark.	1	117,500
117	1000-004-01	Vite TCEI M6x30 brunita	Screw TCEI M6x30 burnished	2	1,000
118	1000-502-02	Supp. pinza freno V05/09/11 ergal nero e march.	Brake caliper support V05/09/11 ergal black and marked	1	53,000
119	1000-034-07	Supporto staffe sedile in acciaio	Steel brackets seat support	1	16,500
120	1000-140-05	Vite TE M8x60 zincata bianca	Screw TE M8x60 white galvanized	2	1,000
121	1000-152-03	Rondella piana D.8,4x15x1,5 zincata bianca	Flat washer D. 8,4x15x1,5 white galvanized	2	1,000
122	1000-015-01	Dado flangiato autobloccante M8x10,8	Self locking flanged nut M8x10,8	2	1,000
123	1010-FBG-31	Pinza freno posteriore completa V09/11 FM0.01800	Complete rear brake caliper V09/11 FM0.01800	1	627,500
124	1000-036-06	Vite testa ribassata TCEI M8x35 zinc. bianca	Lowered head screw TCEI M8x35 white galvan.	2	1,500
125	1000-133-01	Rondella ondulata D.8xD.15x0,5	Wave washer D.8xD.15x0,5	2	1,000
126	1000-158-01	Dado autobloccante M8x8 metal block	Self locking nut M8x8 metal block	2	1,000
127	1010-FBG-57	Pompa freno completa V05/09 FM0.00192	Complete brake pump V05/09 FM0.00192	1	400,500
128	1000-753	Vite TCEI M6x45 zincata bianca	Screw TCEI M6x45 white galvanized	2	1,000
129	1010-FBG-115	Spessore D.6,5xD.15x3 - SBN.00220	Spacer D.6,5xD.15x3 - SBN.00220	2	6,500
130	1010-FBG-74	Tubo freno posteriore V05/11 L=825mm AFS.00374	Rear brake tube V05//11 L=825mm AFS.00374	1	66,500
131	1000-230-11	Asta freno completa L=420mm INOX	Complete brake bar L=420mm INOX	1	7,000
132	NORM-003-07	Vite TBEI M6x30 zincata bianca	Screw TBEI Mx30 white galvanized	1	1,000
133	1000-016	Dado autobloccante M6x6	Self locking nut M6x6	1	1,000
134	1000-211	Cavo sicurezza freno completo	Complete safety brake cable	1	28,500
135	1000-008-01	Morsetto per cavo con viti	Clamp for cable with screws	1	15,500
136	1000-043-02	Guaina cavo acceler. D.5,3 L = 1110mm nera	Acceler. cable sheath D.5,3 L = 1110mm black	1	6,900
137	1000-042	Cavo acceleratore millefili L = 1600mm	Accelerator cable L = 1600mm	1	7,500
138	1000-143-21	Mozzo post. ruota compl. D.50x93 magn. march.	Compl. rear magn. wheel hub D.50x93 marked	2	133,500
138A**	1000-143-40	Mozzo post. ruota compl. D.50x87 magn. march.	Compl. rear magn. wheel hub D.50x87 marked		121,500
139	1000-152	Prigioniero ruote M8x37	Wheel stud M8x37	6	3,000
140	NORM-030-01	Vite TCEI M8x40 zincata bianca	Screw TCEI M8x40 white galvanized	2	1,000
141	1000-056	Rondella in ottone D.8,3xD.13,5x3	Brass washer D.8,3xD,13,5x3	2	3,500
142	NORM-235-08	Grano M6x16 estremità conica zincato bianco	Headless screw M6x16 conical edge white galvan.	2	3,000
143	1000-015-03	Dado flangiato autobloccante M8 ch.10	Self locking flanged nut M8 key 10	6	4,500
144	1000-177	Fascetta plastica 4,5 L=200	Plastic cable tie 4,5 L=200	3	1,000
144A**	1000-177-01	Confezione di n°100 fascette plastiche 4,5 L=200	Package of n°100 plastic cable ties 4,5 L=200		37,000

** OPTIONAL - Non fornito con il telaio/Not supplied with the chassis

DREAMER OK OKJ RT20 (disegno 2A) - (drawing 2A)

2A DREAMER OK OKJ RT20

106 Ø192

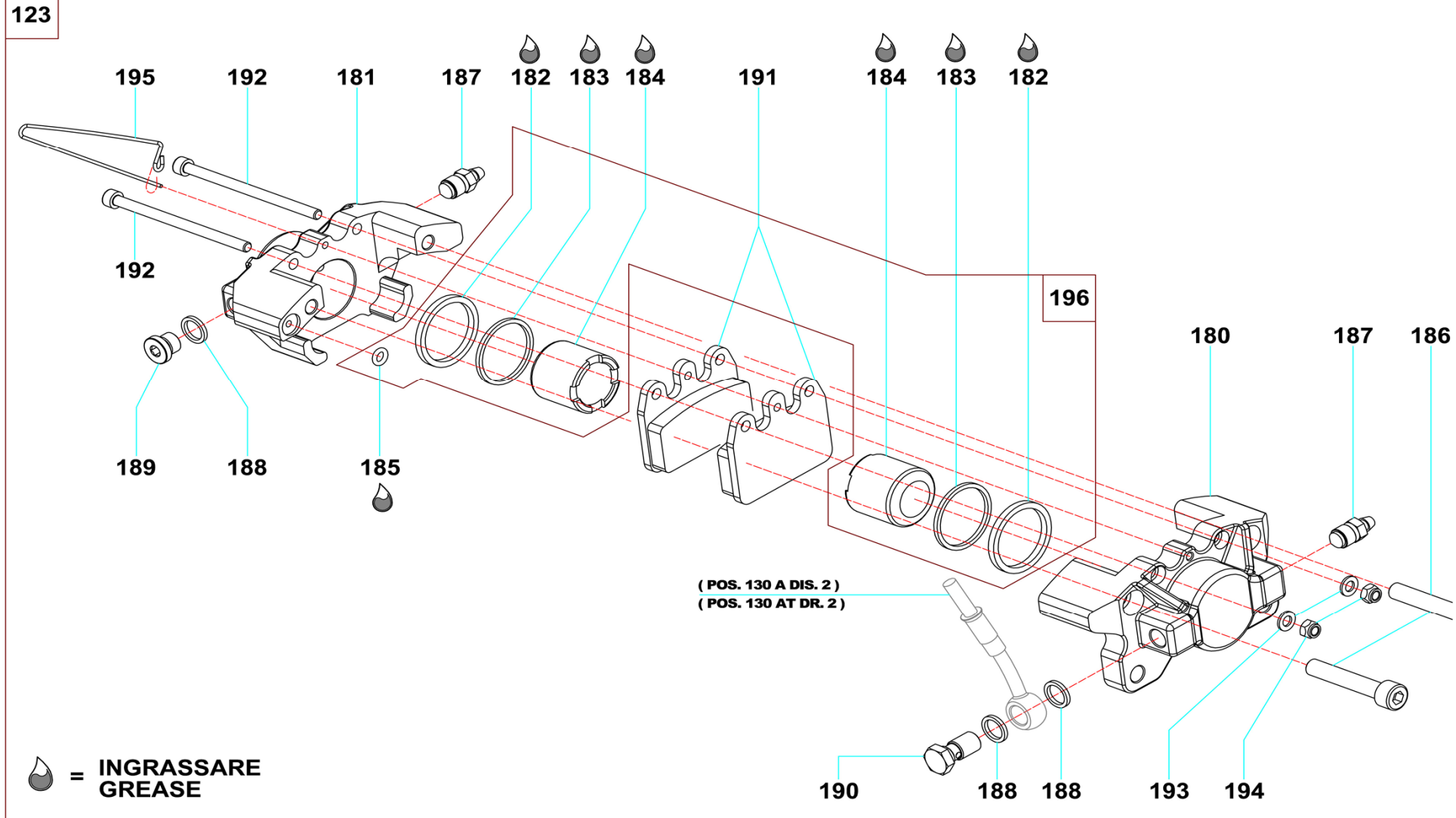


DREAMER OK OKJ RT20 (disegno 2A) - (drawing 2A)

Pos.	Cod.	Descrizione	Description	Qt.	Unit Price KRW
160	1010-FBG-58	Disco freno poster. nudo autov. flott. Ø192x18 V11 - FL1.04224	Rear ventilated floating disc Ø192x18 only V11 - FL1.04224	1	241,000
161	1010-FBG-05	Flangia disco posteriore V05/09 - SAN.01592	Rear disc flange V05/09 - SAN.01592	1	44,500
162	1010-FBG-24	Bussola disco post. V05/09 - SBN.01660	Rear disc float bush V05/09 SBN.01660	5	12,000
163	1010-FBG-25	Rondella elastica D.10,2xD.23x1 disco post. V05/09 - AFN.01677	Rear disc elastic washer D.10,2xD.23X1 V05/09 - AFN.01677	5	2,000
164	1000-147-02	Anello di arresto Benzing D.8	Lock ring Benzing D.8	5	1,000
165	1000-147-05	Molla di sicurezza D.i.10x1	Safety spring D.i.10x1	5	2,500
166	1010-FBG-04	Bussola disco post. V05/09 completa - FK0.01660	Complete rear disc float bush V05/09 - FK0.01660	5	19,000

DREAMER OK OKJ RT20 (disegno 2B) - (drawing 2B)

2B DREAMER OK OKJ RT20



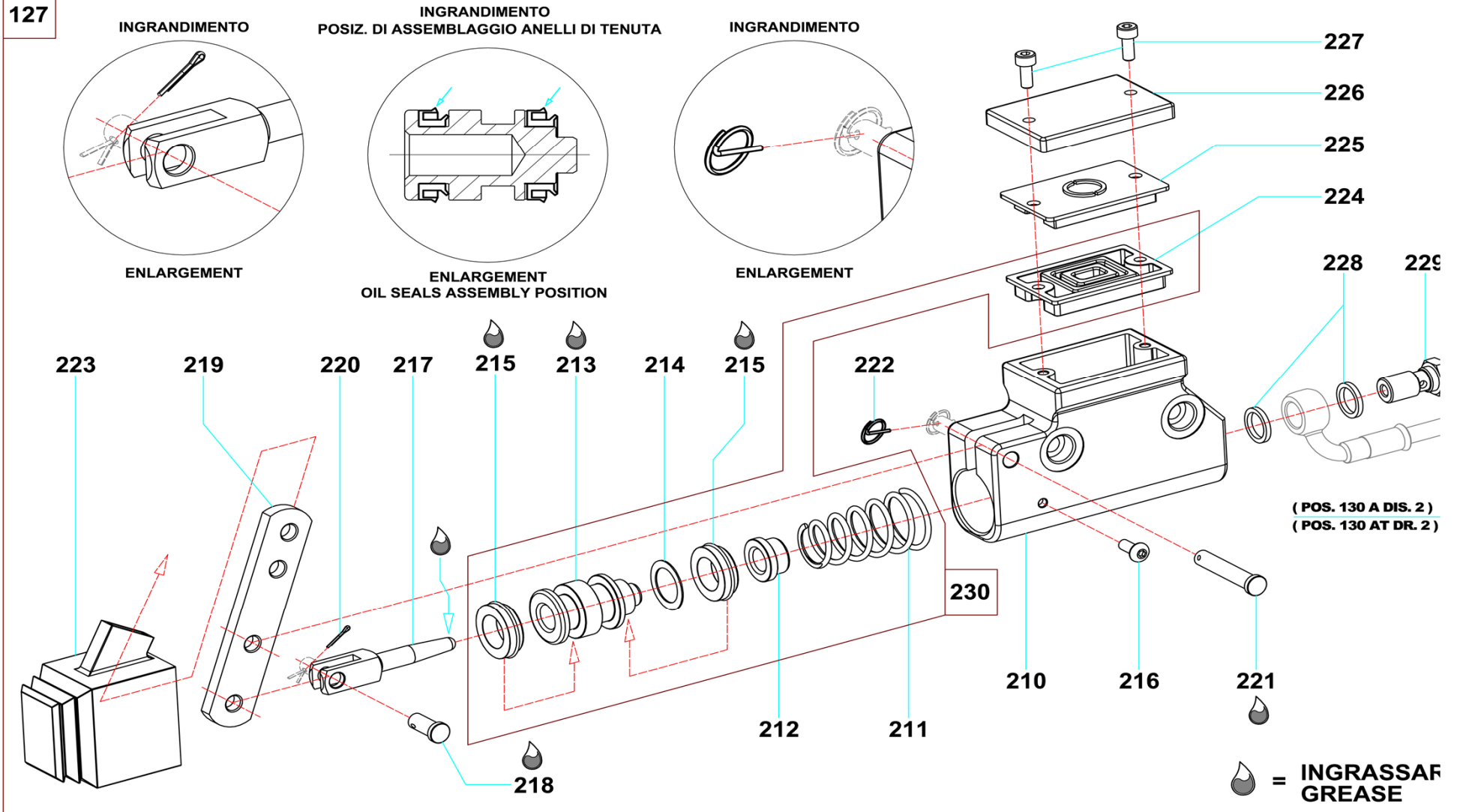
DREAMER OK OKJ RT20 (disegno 2B) - (drawing 2B)

Pos.	Cod.	Descrizione	Description	Qt.	Unit Price KRW
180	1010-FBG-103	Semicorpo pinza freno sinistro con attacchi SAN.1800S	Half rear left brake caliper with supports SAN.1800S	1	267,000
181	1010-FBG-104	Semicorpo pinza freno destro senza attacchi SAN.1800D	Half rear right brake caliper without supports SAN.1800D	1	267,000
182	1010-FBG-37	Gommino posteriore D.30 - AFS.03022	Rear seal D.30 - AFS.03022	2	9,000
183	1010-FBG-43	Gommino parapolvere D.30 - AFS.03023	Dust guard seal D.30 - AFS.03023	2	8,000
184	1010-FBG-64	Pistoncino pinza freno D.30 - SD1.01801	Brake caliper piston D.30 - SD1.01801	2	22,000
185	1010-FBG-88	O-Ring pinza freno - AFN.00182	Brake caliper O-Ring - AFN.00182	1	2,000
186	1000-105	Vite TCEI M8x45 zincata bianca - AFN.00159	Screw TCEI M8x45 white galv. - AFN.00159	2	1,000
187	1010-FBG-96	Spurgo M10 - SZ0.00184	Bleeder M10 - SZ0.00184	2	4,500
188	1010-FBG-65	Rodella in rame D.10,5xD.14x2 - AFN.00186	Copper washer D.10,5xD.14x2 - AFN.00186	3	1,000
189	1000-198	Tappo M10x1 - SBN.00369	Cap M10x1 - SBN.00369	1	2,000
190	1010-FBG-97	Raccordo M10 - SZ0.00185	Fitting M10 - SZ0.00185	1	3,000
191	1010-FBG-80	Pastiglia post. V11 ARANCIO - AFS.02404	Rear pad V11 ORANGE - AFS.02404	2	53,000
191A**	1010-FBG-98	Pastiglia post. V05/09 ROSSA - AFS.01745	Rear pad V05/09 RED - AFS.01745		56,000
192	1010-FBG-95	Vite TCEI M5x80 zincata bianca - AFN.01679	Screw TCEI M5x80 white galvan. - AFN.01679	2	1,000
193	NORM-144	Rondella piana D.5,3xD.10x1 - AFN.02264	Flat washer D.5,3xD.10x1 - AFN.02264	2	1,000
194	NORM-050	Dado Autobloccante M5x4 - AFN.00360	Self locking nut M5x4 - AFN.00360	2	2,000
195	1010-FBG-94	Spina di sicurezza - AFS.01682	Safety pin - AFS.01682	1	6,500
196	1010-FBG-38	Kit revisione pinza poster. V09/11 - CRG.0322	Repair kit rear caliper v09/11 - CRG.03022	1	75,000

** OPTIONAL - Non fornito con il telaio/Not supplied with the chassis

DREAMER OK OKJ RT20 (disegno 2C) - (drawing 2C)

2C DREAMER OK OKJ RT20

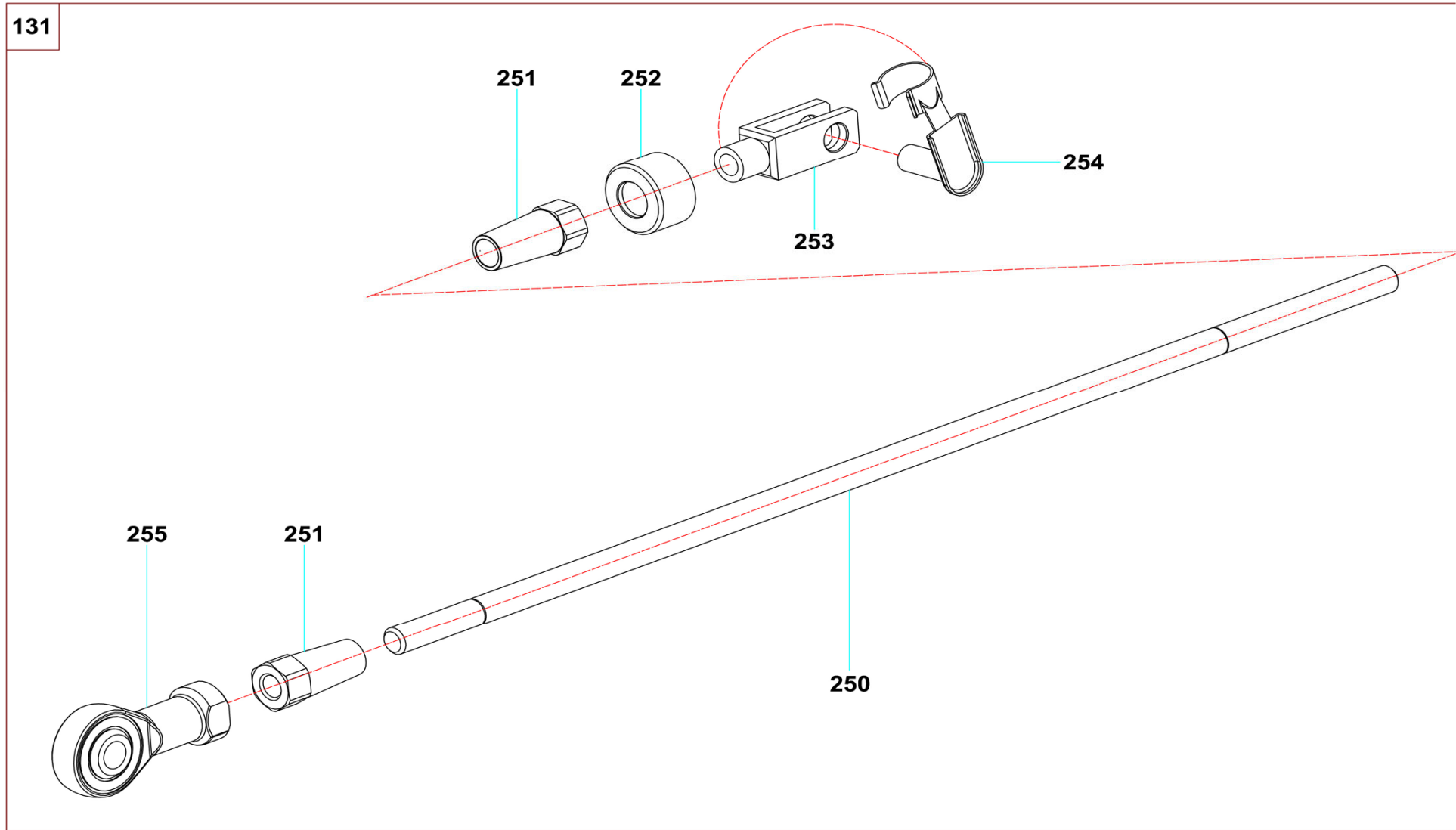


DREAMER OK OKJ RT20 (disegno 2C) - (drawing 2C)

Pos.	Cod.	Descrizione	Description	Qt.	Unit Price KRW
210	1010-FBG-105	Corpo pompa freno- SAN.00192	Brake body pump - SAN.00192	1	252,000
211	1010-FBG-106	Molla pompa freno - SZ0.00193	Brake pump spring - SZ0.00193	1	4,500
212	1010-FBG-107	Tappo molla pompa - SL1.00208	Spring pump cap - SL1.00208	1	10,000
213	1010-FBG-108	Pistone pompa - SAN.00210	Pump piston - SAN.00210	1	17,500
214	1010-FBG-109	Distanziale pistone - AFN.00195	Piston spacer - AFN.00195	1	2,000
215	1010-FBG-110	Gommino pompa - AFS.00194	Pump rubber - AFS.00194	2	9,000
216	1010-FBG-111	Vite TBEI M4x16 zinc. bianca - AFN.02262	Screw TBEI M4x6 white galvan. - AFN.02262	1	1,500
217	1010-FBG-87	Puntale pompa - AFS.00196	Pump plunger - AFS.00196	1	13,500
218	1010-FBG-63	Spina 16mm puntale - SBN.00200	Plunger pin 16mm - SBN.00200	1	2,000
219	1010-FBG-85	Leva pompa freno - SBN.00197	Brake pump lever - SBN.00197	1	32,000
220	1010-FBG-112	Copiglia - AFN.00201	Split pin - AFN.00201	1	1,000
221	1010-FBG-86	Spina 35,5mm leva pompa freno - SBN.00202	Brake pump lever 35,5mm - SBN.00202	1	3,000
222	1010-FBG-66	Spina di sicurezza D.8 - AFS.00981	Safety pin D.8 - AFS.00981	1	3,000
223	1010-FBG-83	Cuffia parapolvere pompa - AFS.00199	Dust cover pump - AFS.00199	1	15,000
224	1010-FBG-113	Membrana pompa - AFS.00205	Pump membrane - AFS.00205	1	8,000
225	1010-FBG-114	Tappo membrana - AFS.00204	Membrane cap - AFS.00204	1	7,000
226	1010-FBG-18	Coperchio pompa freno - SAN.00212	Brake pump cap - SAN.00212	1	16,000
227	1000-182-01	Vite TCEI M4x10 zinc. Bianca - AFN.02148	Screw TCEI M4x10 white galvan. - AFN.02148	2	1,000
228	1010-FBG-65	Rodella in rame D.10,5xD.14x2 - AFN.00186	Copper washer D.10,5xD.14x2 - AFN.00186	2	1,000
229	1010-FBG-97	Raccordo M10 - SZ0.00185	Fitting M10 - SZ0.00185	1	3,000
230	1010-FBG-84	Kit revisione pompa freno - CRG.00192	Repair brake pump kit - CRG.00192	1	68,000

DREAMER OK OKJ RT20 (disegno 2D) - (drawing 2D)

2D DREAMER OK OKJ RT20



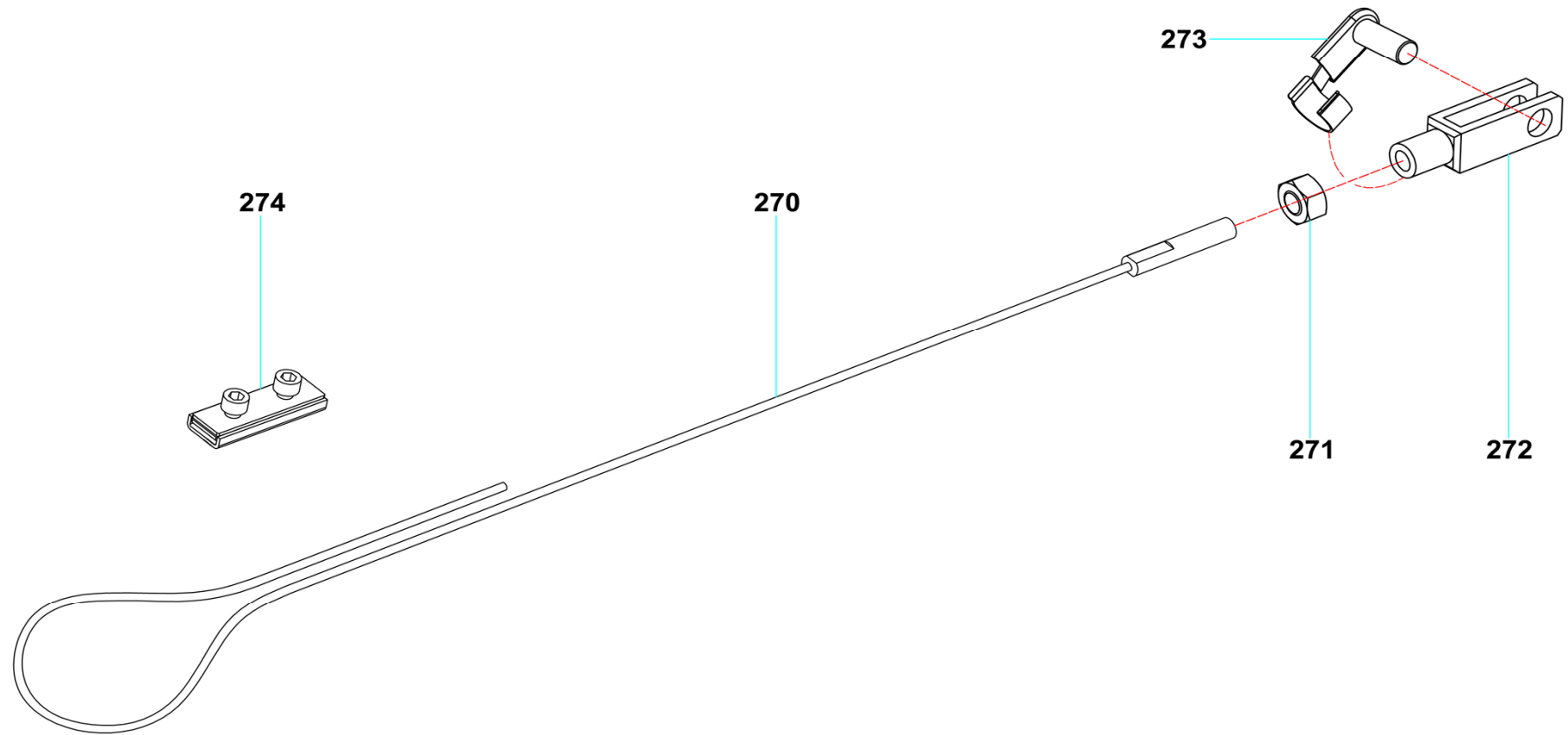
DREAMER OK OKJ RT20 (disegno 2D) - (drawing 2D)

<i>Pos.</i>	<i>Cod.</i>	<i>Descrizione</i>	<i>Description</i>	<i>Qt.</i>	<i>Unit Price KRW</i>
250	1000-229-07	Asta freno L=420mm INOX	Brake bar L=420mm INOX	1	30,000
251	1000-219	Dado asta freno M6x22 zincato bianco	Brake bar nut M6x22 white galvanized	2	4,500
252	1000-220	Boccola di sicurezza	Safety bush	1	4,000
253	1000-224	Forcella D.6x24	Fork D.6x24	1	18,500
254	1000-223	Clip per forcella D.6x24	Fork clip D.6x24	1	5,500
255	1000-110-04	Uniball D.6 - filetto M6 femmina	Uniball D.6 - M6 female thread	1	31,500

DREAMER OK OKJ RT20 (disegno 2E) - (drawing 2E)

2E DREAMER OK OKJ RT20

134



DREAMER OK OKJ RT20 (disegno 2E) - (drawing 2E)

Pos.	Cod.	Descrizione	Description	Qt.	Unit Price KRW
270	1000-194	Cavo sicurezza D.1,9x590 con filetto M5x30	Safety cable D.1,9x590 with thread M5x30	1	8,000
271	1000-193	Dado esagonale M5x5	Exhagonal nut M5x5	1	1,000
272	1000-192	Forcella D.5x20	Fork D.5x20	1	7,000
273	1000-191	Clip per forcella D.5x20	Fork clip D.5x20	1	5,500
274	1000-008-01	Morsetto per cavo	Clamp for cable	1	6,500

DREAMER OK OKJ RT20 (disegno 3) - (drawing 3)

Pos.	Cod.	Descrizione	Description	Qt.	Unit Price KRW
290	1000-013-09	Protezione catena completo in plastica BLU	Complete plastic BLU chainguard	1	165,000
291	1000-013-07	Protezione catena nudo in plastica BLU	Plastic BLU chain guard only	1	61,000
292	1000-013-08	Kit staffaggio protezione catena in plastica	Plastic chainguard fixing kit	1	58,000
293	1000-089-19	Serbatoio compl. capacità 9Lt. senza ades.	Compl. fuel tank capacity 9Lt. without stickers	1	123,000
294	1000-088	Pescante carburante	Fuel dip pipe	1	8,500
295	1000-085-03	Molletta strigi tubo	Locking tube spring	2	1,500
296	1000-085-06	Tubo per pescante D.5xD.9 L=230mm verde	Dip pipe tube D.5xD.9 L=230mm green	1	1,000
297	1000-086-09	OR in viton D.9x2	OR D.9x2 viton	2	4,000
298	1000-086-08	Raccordo per tubo di alimenatazione	Junction for feed tube	1	14,000
299	1000-086-06	Tappo in plastica rossa per raccordo	Red plastic cap for junction	2	3,000
300	1000-086-07	Raccordo per tubo sfiato/recupero	Junction for breather/recovery tube	1	9,000
301	1000-084-04	Tappo serbatoio in plastica nero con guarniz.	Black plastic fuel tank cap with gasket	1	18,000
302	1000-085-07	Tubo D.5xD.9 alimentazione L = 1100mm bianco	Feeding tube D.5xD.9 L = 1100mm white	1	6,500
303	1000-085-09	Tubo D.5xD.9 sfiato/recupero L = 300mm bianco	Breather/recovery tube D.5xD.9 L = 300mm white	1	2,000
304	1000-089-20	Spess. in allum. D.8,5xD.24,5x15,5	Alumin. Spacer D.8,5xD.24,5x15,5	1	14,000
305	1000-074-32	Manopola in plast. compl. rossa L =21x46mm	Complete plastic red handle L =21x46mm	1	11,500
306	NORM-228	Vite TE M8x35 zincata bianca	Screw TE M8x35 white galvanized	1	500
307	1000-074-94	Manopola in plastica rossa L = 21mm	Red plastic handle L = 21mm	1	6,000
308	1000-060-42	Supporto spoiler superiore	Upper spoiler support	1	80,500
309	1000-001	Vite TSPEI M6x20 zincata bianca	Screw TSPEI M6x20 white galvanized	2	1,000
310	1000-002	Rondella conica svasata D.6 alluminio	Conical countersunk aluminum washer D.6	2	4,000
311	NORM-038	Rondella piana D.6,5xD.12x1,6 zincata bianca	Flat washer D.6,5xD.12x1,6 white galvanized	4	1,000
312	1000-016	Dado autobloccante M6x6	Self locking nut M6x6	4	1,000
313	1000-060-43	Supporto spoiler inferiore	Lower spoiler support	1	41,500
314	1000-045	Vite ribassata TCEI M6x30 zincata bianca	Low head screw TCEI M6x30 white galvanized	2	1,000
315	1010-FBG-72	Supporto marm. TOP17 compl. acciaio brun.	Complete steel TOP17 pipe support burnished	1	73,000
316	1010-FBG-71/1	Staffa supp. marmitta TOP17 acciaio brunito	TOP17 steel pipe support burnished	1	56,500
317	1010-FBG-21	Prolunga supp. marm. TOP17 all. anod. nero	Extension for TOP17 alum. pipe support black anod.	1	10,000
318	1000-019-01	Vite TSPEI M8x35 zincata bianca	Screw TSPEI M8x35 white galvanized	1	1,000
319	1000-078	Rondella conica svasata D.8 alluminio	Conical countersunk aluminum washer D.8	1	4,500
320	1000-015-01	Dado flangiato autobloccante M8x10,8	Self locking flanged nut M8x10,8	10	1,000
321	1000-863	Vite TBEI M8x25 zincata bianca	Screw TBEI M8x25 white galvanized	2	1,000
322	1000-152-03	Rondella piana D.8,4x15x1,5 zincata bianca	Flat washer D. 8,4x15x1,5 white galvanized	2	1,000

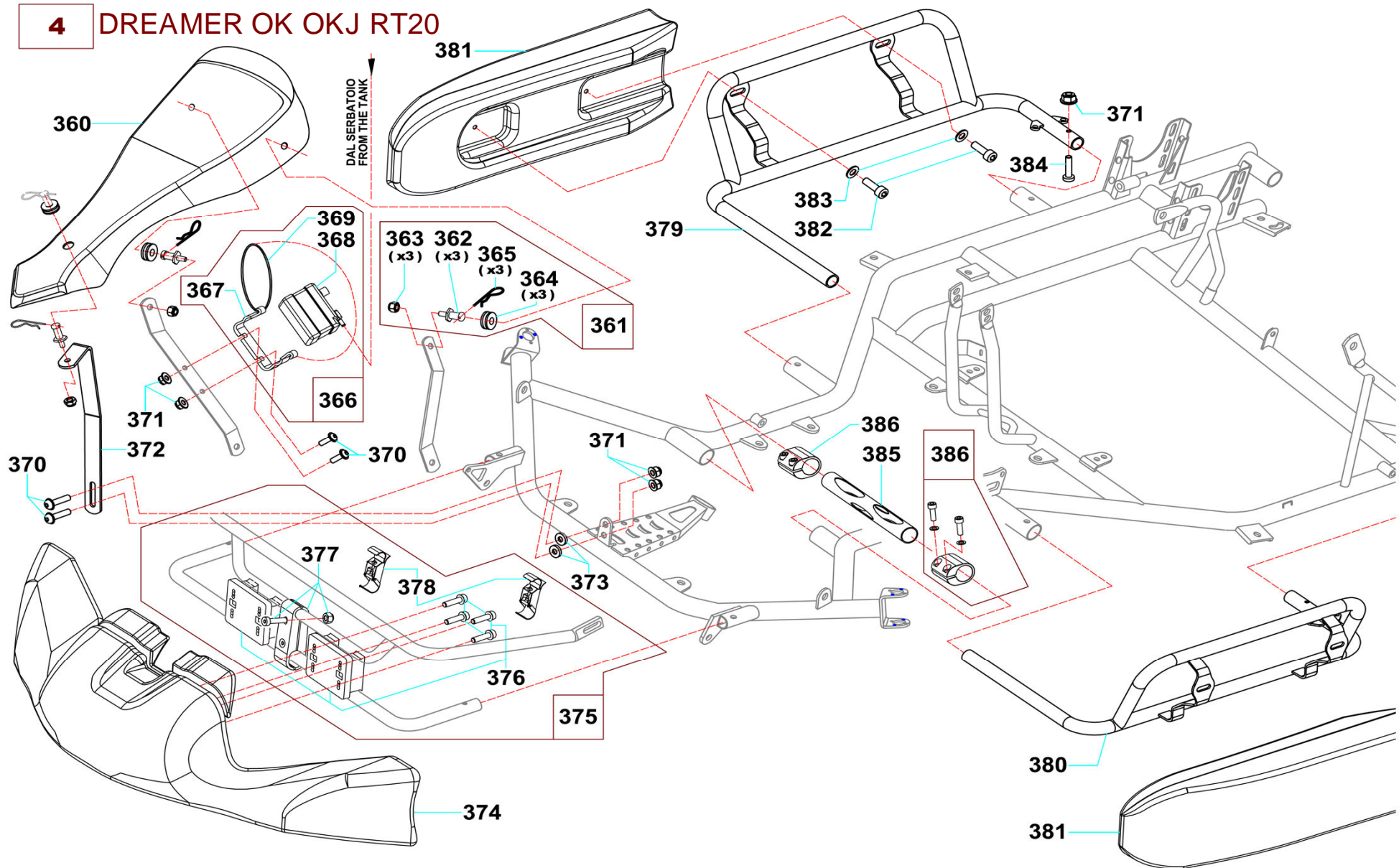
continua a pag. 28
continues on pag. 28

DREAMER OK OKJ RT20 (disegno 3) - (drawing 3)

Pos.	Cod.	Descrizione	Description	Qt.	Unit Price KRW
323	1000-028-01	Culla marmitta completa	Complete muffler cradle	1	40,500
324	1000-028	Culla marmitta nuda	Muffler cradle only	1	24,000
325	1000-029	Vite TSPEI M10x45 zincata bianca	Screw TSPEI M10x45 white galvanized	1	2,000
326	1000-031	Rondella conica svasata D.10 alluminio	Conical countersunk aluminum washer D.10	1	5,000
327	1000-030	Gomminio antivibrante D.12xD.35x10	Antivibrating rubber D.12xD.35x10	1	5,500
328	1000-031-01	Rondella piana D.10,5xD.30x2,5 zinc. bianca	Flat washer D.10,5x30x2,5 white galvanized	1	1,000
329	1000-031-08	Rondella dentellata D.10,5xD.18x0,9	Toothed washer D.10,5xD.18x0,9	1	1,000
330	1000-031-02	Dado autobloccante M10x10	Self locking nut M10x10	1	1,500
331	1000-027	Molla marmitta	Exhaust pipe spring	2	4,000
332	1000-020-11	Sedile IMAF F6 SILVER ROMBO D3 - mis. 1	IMAF F6 SILVER ROMBO D3 seat - size 1	1	246,000
**		VEDERE OPTIONAL 4 PAG. 43/44	SEE OPTIONAL 4 PAGE 43/44		
333	1000-019	Vite TSPEI M8x30 zincata bianca	Screw TSPEI M8x30 white galvanized	4	1,000
334	1000-018-05	Rondella alu. conica D.14xD.30x3 anod. nera	Alu. conical washer D.14xD.30x3 black anod.	6	11,000
335	1000-017-01	Rondella D.8xD.40x3 zincata bianca	Washer D.8xD.40x3 white galvanized	6	500
335A**	1000-118-09	Rondella D.8xD.40x2 in alluminio	Aluminum washer D.8xD.40x2		4,500
336	1000-041-02	Distanziale in teflon nero D.8xD.40x20	Black teflon spacer D.8xD.40x20	4	17,000
337	1000-041-01	Distanziale in teflon nero D.8xD.40x10	Black teflon spacer D.8xD.40x10	2	17,000
338	NORM-026-04	Vite TSPEI M8x80zincata bianca	Screw TSPEI M8x80 white galvanized	2	2,500
339	1000-034-04	Staffa sedile curva L TOT. 330mm	Bended seat strut LTOT. 330mm	1	16,000
**		VEDERE OPTIONAL 5 PAG. 45/46	SEE OPTIONAL 5 PAGE 45/46		
340	1000-033	Distanziale in alluminio D.8xD.20x12	Aluminum spacer D.8xD.20x12	2	10,500
341	1000-078-01	Rondella piana D.8xD.18x3 zincata bianca	Flat washer D.8xD.18x3 white galvanized	3	1,000
342	1000-140-02	Vite TE M8x55 zincata bianca	Screw TE M8x55 white galvanized	1	2,000
343	1000-140-01	Vite TE M8x40 zincata bianca	Screw TE M8x40 white galvanized	1	2,000
344	1000-034-03	Staffa sedile diritta L TOT. 300mm	Sraight seat strut L TOT. 300mm	1	16,000
**		VEDERE OPTIONAL 5 PAG. 45/46	SEE OPTIONAL 5 PAGE 45/46		
345	NORM-054	Vite TE M8x25 zincata bianca	Screw TE M8x25 white galvanized	1	1,000
346	1000-152-03	Rondella piana D.8,4x15x1,5 zincata bianca	Flat washer D. 8,4x15x1,5 white galvanized	2	1,000
347	1000-015	Dado autobloccante M8x8	Self locking nut M8x8	1	1,000

** OPTIONAL - Non fornito con il telaio/Not supplied with the chassis

DREAMER OK OKJ RT20 (disegno 4) - (drawing 4)



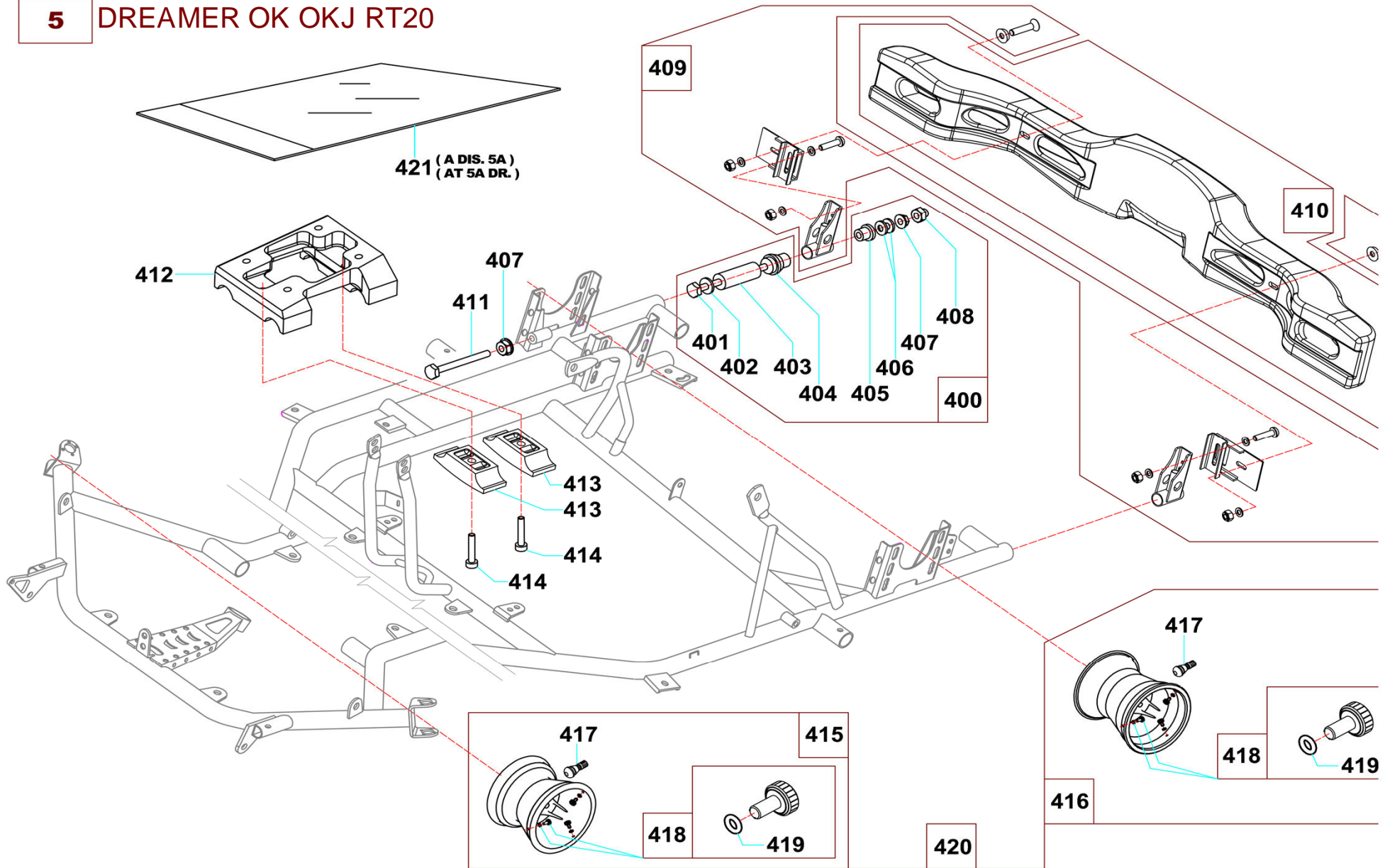
DREAMER OK OKJ RT20 (disegno 4) - (drawing 4)

Pos.	Cod.	Descrizione	Description	Qt.	Unit Price KRW
360	1000-121-24	Frontalino porta numero 506 bianco perla senza adesivi	Pearl white front number plate without sticker	1	74,500
361	1000-121-06	Kit attacco rapido	Rapid attack kit	1	34,000
362	1000-804	Perno per attacco rapdo D.8,5xM6x26,5	Rapid attack pin D.8,5xM6x26,5	3	6,000
363	1000-016	Dado autobloccante M6x6	Self locking nut M6x6	3	1,000
364	1000-935	Gommino passacavo D.7,5xD.13,5xD.19,5x9	Cable gland rubber D.7,5xD.13,5xD.19,5x9	3	5,000
365	NORM-147-03	Copiglia a "R" D.2x48	"R" clip D.2x48	3	1,500
366	1000-087-03	Bocchetto sfiato/recupero completo	Complete breather/recovery bowl	1	15,000
367	1000-087-01	Supporto bocchetto sfiato/recupero	Breather/recovery bowl support	1	8,000
368	1000-087	Bocchetto sfiato/recupero	Breather/recovery bowl	1	7,500
369	1000-087-02	OR D.47x3	OR D.47x3	1	2,500
370	1000-073	Vite flangiata TBEI M6x20 zincata bianca	Flanged srew TBEI M6x20 white galvanized	4	1,500
371	1000-003	Dado flangiato autobloccante M6x9	Self locking flanged nut M6x9	6	1,000
372	1000-121-27	Staffa inferiore frontalino portanumero	Lower front number plate support	1	22,500
373	1000-061	Rondella piana in gomma D.5,7xD.20x4 blu	Flat rubber washer D.5,7xD.20x4 blu	2	1,000
374	1000-074-64	Spoiler anter. 506 bianco perla senza adesivo	Front pearl white 506 spoiler without sticker	1	211,000
375	1000-074-55	Kit completo fissaggio spoiler CIK	Complete fastening kit for spoiler CIK	1	129,000
**		VEDERE OPTIONAL 5 PAG. 45/46	SEE OPTIONAL 5 PAGE 45/46		
376	1000-074-52	Coppia placche fissaggio spoiler CIK con 8 viti	Couple of spolier fixing plate with 8 screws CIK	1	49,000
377	1000-074-53	Morsetto rosso CIK con 2 viti e dadi	Red CIK clamp with 2 screws and nuts	1	19,500
378	1000-074-54	Coppia ganci a scatto spoiler	Couple of snap spoiler fastener	1	73,000
379	1000-067-63	Supporto carena 506 destra	Right pod 506 support	1	104,000
380	1000-067-64	Supporto carena 506 sinistra	Left pod 506 support	1	104,000
381	1000-094-15	Carena des./sin. 506 bianco perla senza ades.	White pearl right/left 506 side pod without sticker	1	131,000
382	1000-936	Vite TCEI M8x16 zincata bianca	Screw TCEI M8x16 white galvanized	4	1,000
383	1000-152-03	Rondella piana D.8,4x15x1,5 zincata bianca	Flat washer D. 8,4x15x1,5 white galvanized	4	1,000
384	1000-120-01	Vite ribassata TCEI M6x35 zincata bianca	Low head screw TCEI M6x35 white galvanized	2	1,000
385	1000-156-17	Barra tors. acciaio forata D.30x285x2,3 crom.	Steel holed torsion bar D.30x285x2,3 chromed	1	119,000
**		VEDERE OPTIONAL 5 PAG. 45/46	SEE OPTIONAL 5 PAGE 45/46		
386	1000-156-11	Morsetto D.30 in allum. anod. nero completo	Complete D.30 alumin. Clamp black anodized	2	25,500

** OPTIONAL - Non fornito con il telaio/Not supplied with the chassis

DREAMER OK OKJ RT20 (disegno 5) - (drawing 5)

5 DREAMER OK OKJ RT20



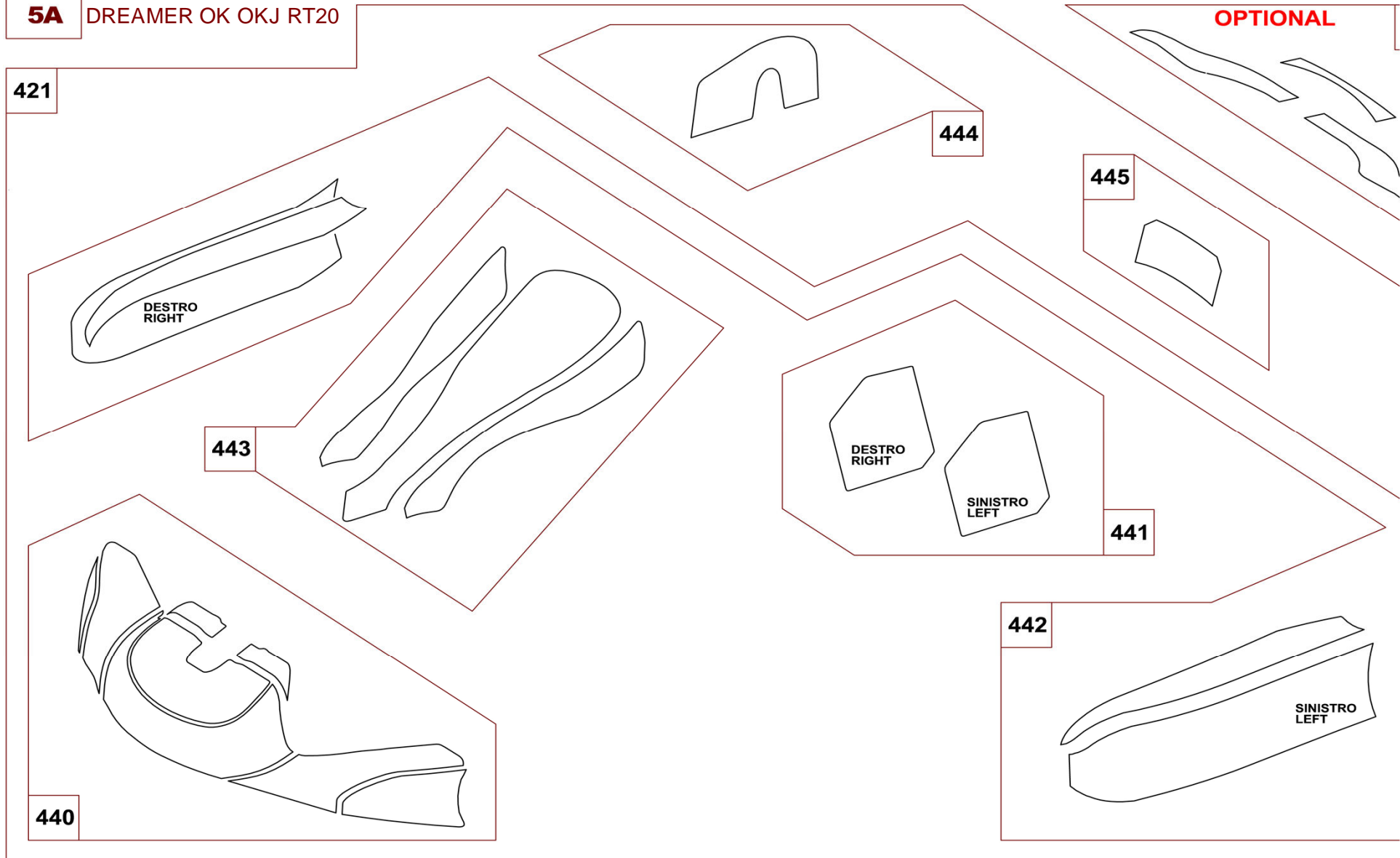
DREAMER OK OKJ RT20 (disegno 5) - (drawing 5)

Pos.	Cod.	Descrizione	Description	Qt.	Unit Price KRW
400	1000-025-61	Kit vite fissaggio paraurti posteriore D.30x150	Locking screw kit for rear bumper D.30x150	2	40,500
401	1000-024-03	Vite TE M10x150 zincata bianca	Screw TE M10x150 white galvanized	2	9,500
402	1000-023-10	Rondella in alluminio D.10xD.25x5	Aluminum washer D.10xD.25x5	2	1,500
403	1000-022-02	Gommino paraurti giallo D.25,5x65	Yellow bumper rubber D.25,5x65	2	6,000
404	1000-023-06	Boccola centraggio D.25 in alluminio	Aluminum centering bush D.25	2	13,000
405	1000-023-08	Boccola standard in alluminio	Standard aluminum bush	2	10,500
406	1000-021-02	Rondella piana D.10,5xD.24x2 zincata bianca	Flat washer D.10,5xD.24x2 white galvanized	4	3,000
407	1000-021-03	Dado flangiato zigrinato M10x10	Knurled flange nut M10x10	3	1,500
408	1000-021	Dado cieco M10x18	Blind nut M10x18	2	1,500
409	1000-025-27	Attacco completo per paraurti posteriore	Complete fastening for rear bumper	1	153,000
410	1000-025-22	Paraurti post. CLOB nero senza adesivi	Rear bumper CLOB black without stickers	1	226,500
411	1000-762-01	Vite TE M10x100 brunita	Screw TE M10x100 burnished	1	3,500
412	1000-035-30	Piastra mot. magnesio D.30/32 forat.115x80	Magnesium engine mount D.30/32 holed 115x80	1	117,000
412A**	1000-035-11	Piastra mot. magnesio D.30/32 forat.102x80	Magnesium engine mount D.30/32 holed 102x80		117,000
412B**	1000-035-98	Piastra motore magn. D30 grezza senza fori	Row magnesium D.30 engine mount without holes		73,000
413	1000-037-07	Cavallotto piastra motore	Engine mount bracket	2	30,000
414	1000-038	Vite TCEI M10x40 brunita	Screw TCEI M10x40 burnished	2	4,000
415	1000-875-07	Cerchio in magn. TOP-KART 130 completo di valvola e viti anti stallonamento	TOP-KART magn.wheel rim 130 complete with valve and bead locks	2	129,000
416	1000-090-07	Cerchio in magn. TOP-KART 210 completo di valvola e viti anti stallonamento	TOP-KART magn.wheel rim 210 complete with valve and bead locks	2	155,000
417	1000-091	Valvola per cerchio ruota tubeless	Tubeless wheel rim valve	4	3,500
418	1000-876	Vite anti stallonamento completa di OR	Complete with OR bead locks	12	7,000
**		VEDERE OPTIONAL 6 PAG. 47/48	SEE OPTIONAL 6 PAGE 47/48		
419	1000-877	OR 2015 D.3,69x1,78	OR 2015 D.3,69x1,78	12	500
420	1000-875-25	Set cerchi in magn. TOP-KART 130-210 completi di valvola e viti anti stallonamento	TOP-KART magn.wheel rims set 130-210 complete with valve and bead locks	1	395,000
**		VEDERE OPTIONAL 6 PAG. 47/48	SEE OPTIONAL 6 PAGE 47/48		
421	1000-072-16	Set completo adesivi 506	Complete stickers set 506	1	329,400

** OPTIONAL - Non fornito con il telaio/Not supplied with the chassis

DREAMER OK OKJ RT20 (disegno 5A) - (drawing 5A)

5A DREAMER OK OKJ RT20



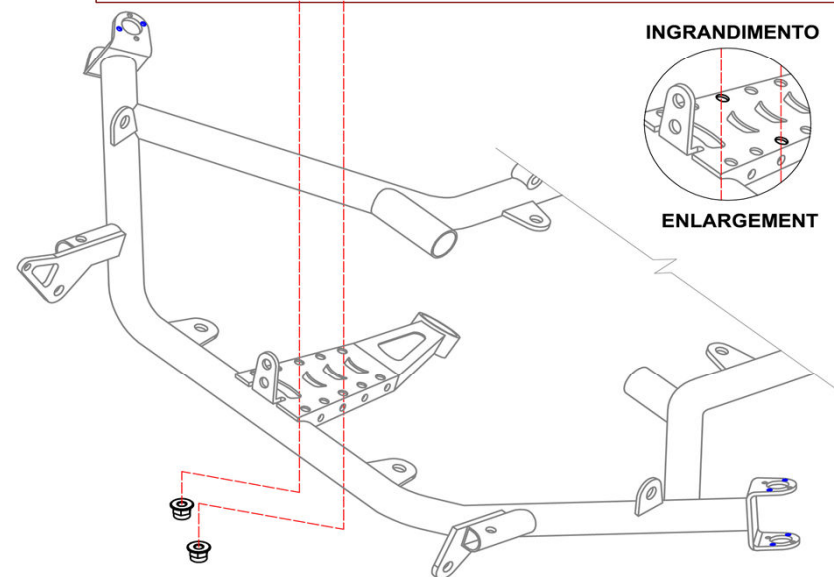
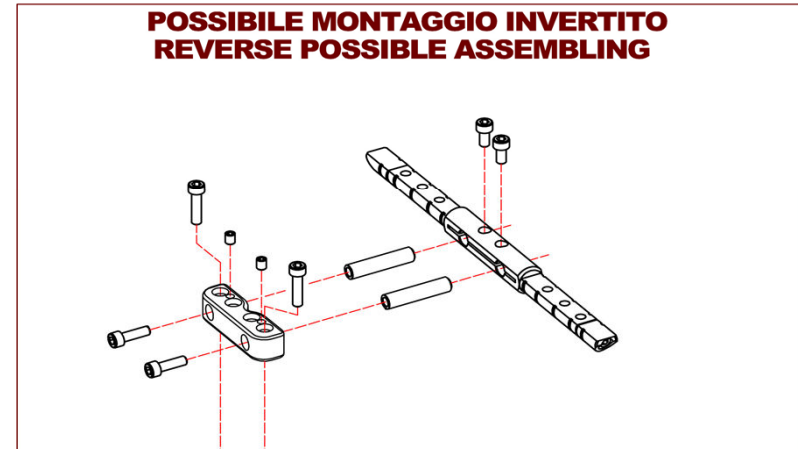
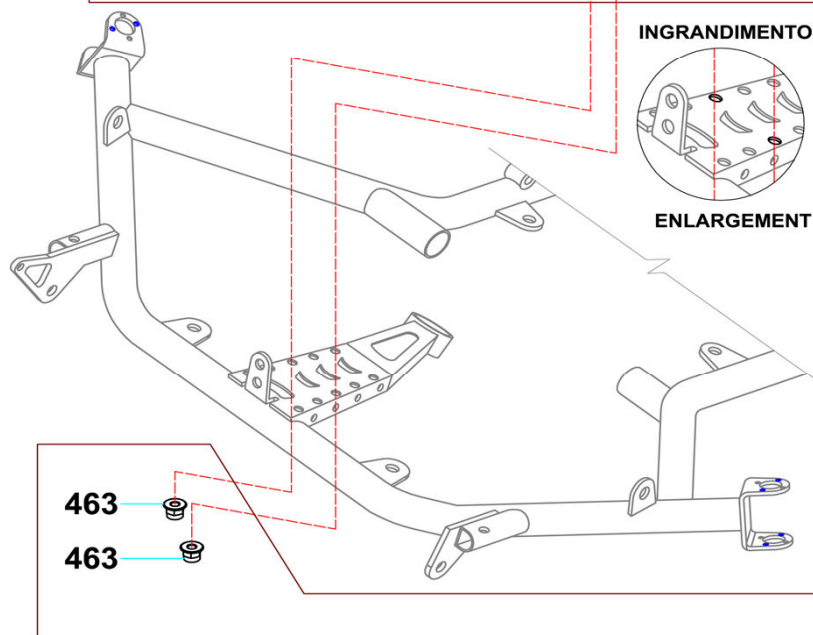
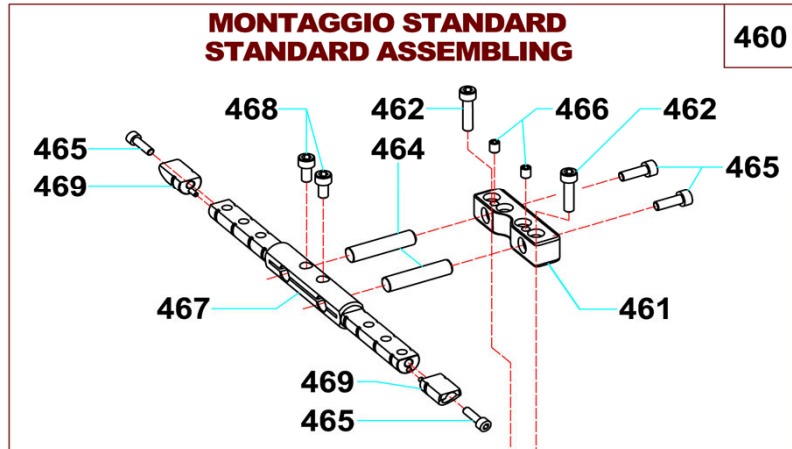
DREAMER OK OKJ RT20 (disegno 5A) - (drawing 5A)

Pos.	Cod.	Descrizione	Description	Qt.	Unit Price KRW
440	1000-072-17	Adesivo spoiler 506	Spoiler 506 sticker	1	149,000
441	1000-072-09	Set universale adesivi serbatoio	Universal fuel tank stickers set	1	37,000
442	1000-072-18	Sed adesivi 506 carene laterali	Side pods 506 stickers set	1	149,000
443	1000-072-19	Adesivo frontalino 506	Front panel plate sticker	1	82,000
444	1000-072-11	Adesivo protezione catena universale	Universal chain guard sticker	1	52,000
445	1000-072-14	Adesivo portanumero paraurti poster. CLOB	Number plate rear CLOB bumper sticker	1	37,000
446**	1000-072-12	Adesivo paraurti posteriore CLOB	Rear CLOB bumper sticker		45,000

** OPTIONAL - Non fornito con il telaio/Not supplied with the chassis

DREAMER OK OKJ RT20 (disegno 6) - (drawing 6)

6 DREAMER OK OKJ RT20

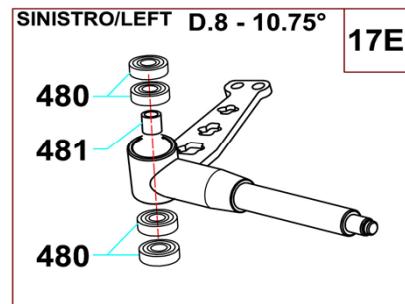
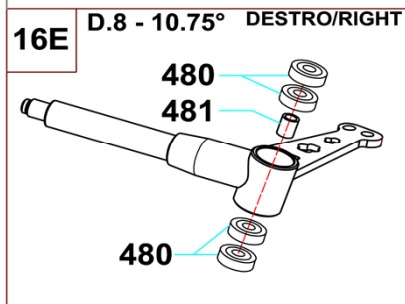
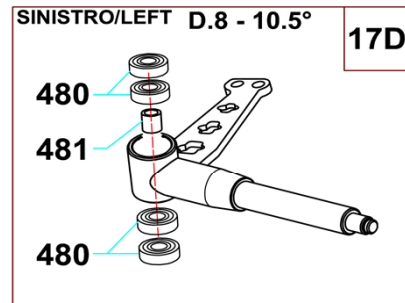
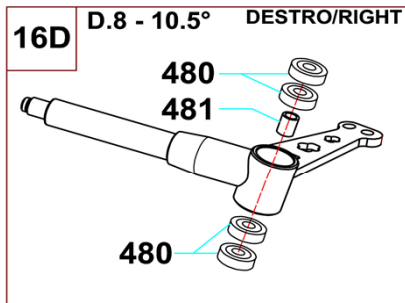
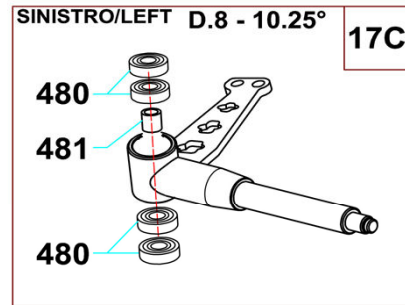
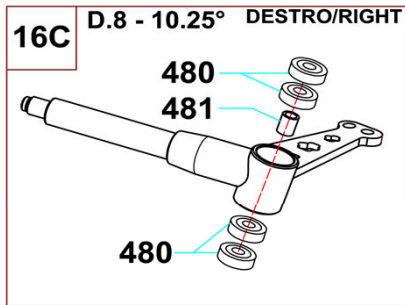


DREAMER OK OKJ RT20 (disegno 6) - (drawing 6)

Pos.	Cod.	Descrizione	Description	Qt.	Unit Price KRW
460	1000-076-28	Barra appoggiapiede completa D.18x300	Complete footrest bar D.18x300	1	243,000
461	1000-076-27	Supporto per barra appoggiapiede anod. nera	Footrest bar support black anodized	1	86,000
462	NORM-070-01	Vite TCEI M6x35 brunita	Screw TCEI M6x35 burnished	2	500
463	1000-003	Dado flangiato autobloccante M6x9	Self locking flanged nut M6x9	2	1,000
464	1000-076-96	Perno scorrimento poggiaiedi	Footrest scrolling pin	2	17,000
465	NORM-046-01	Vite TCEI M6x25 brunita	Screw TCEI M6x25 burnished	4	1,500
466	NORM-235-09	Grano M6x10estremità conica zigrinata	Headless screw M6x10 conical knurled edge	2	3,500
467	1000-076-23	Barra appoggiapiede D.18x240 anod. nera	Footrest bar D.18x240 black anodized	1	147,000
468	1000-064-01	Vite TCEI M6x12 brunita	Screw TCEI M6x12 burnished	2	1,000
469	1000-076-25	Boccola terminale anodizz. Bianca con spina	Terminal bush white anodized with pin	2	53,500

DREAMER OK OKJ RT20 - OPTIONAL 1

OPTIONAL 1 DREAMER OK OKJ RT20

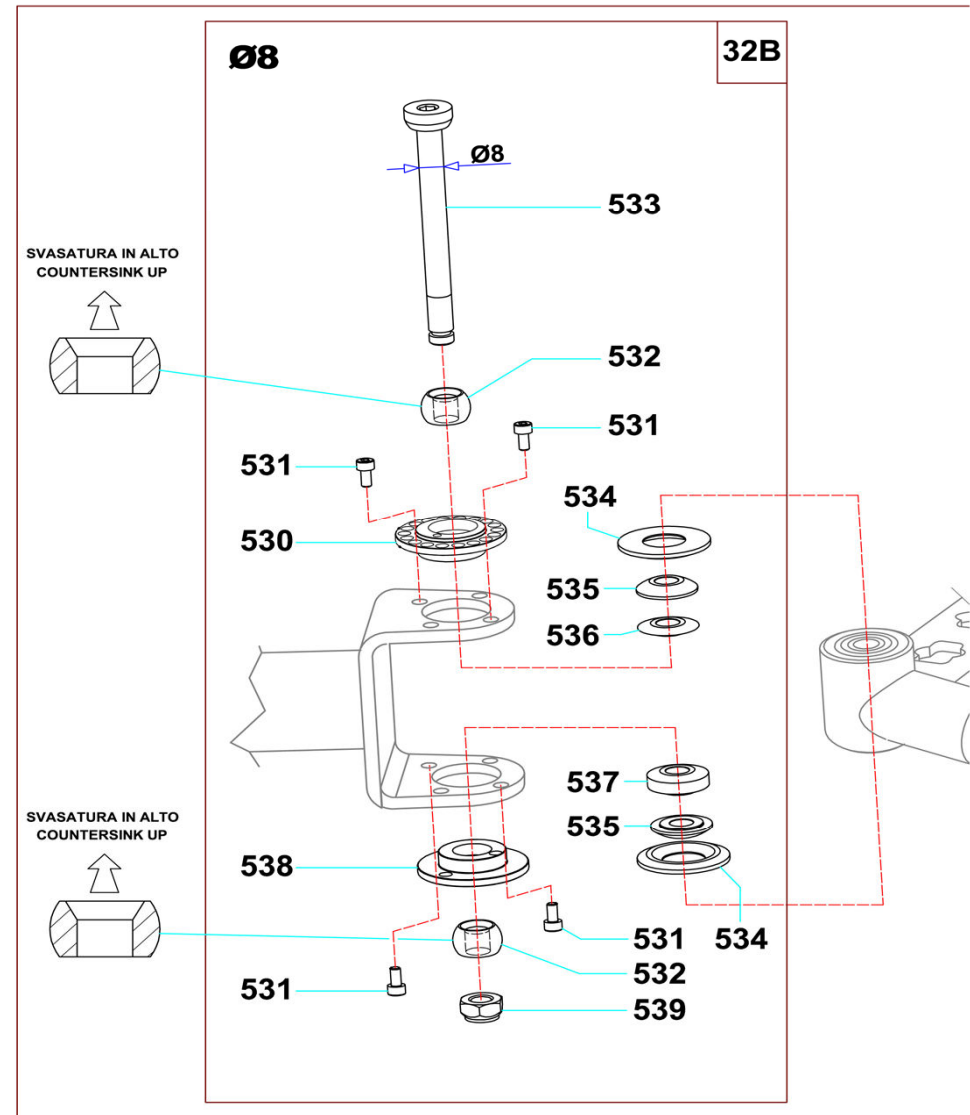
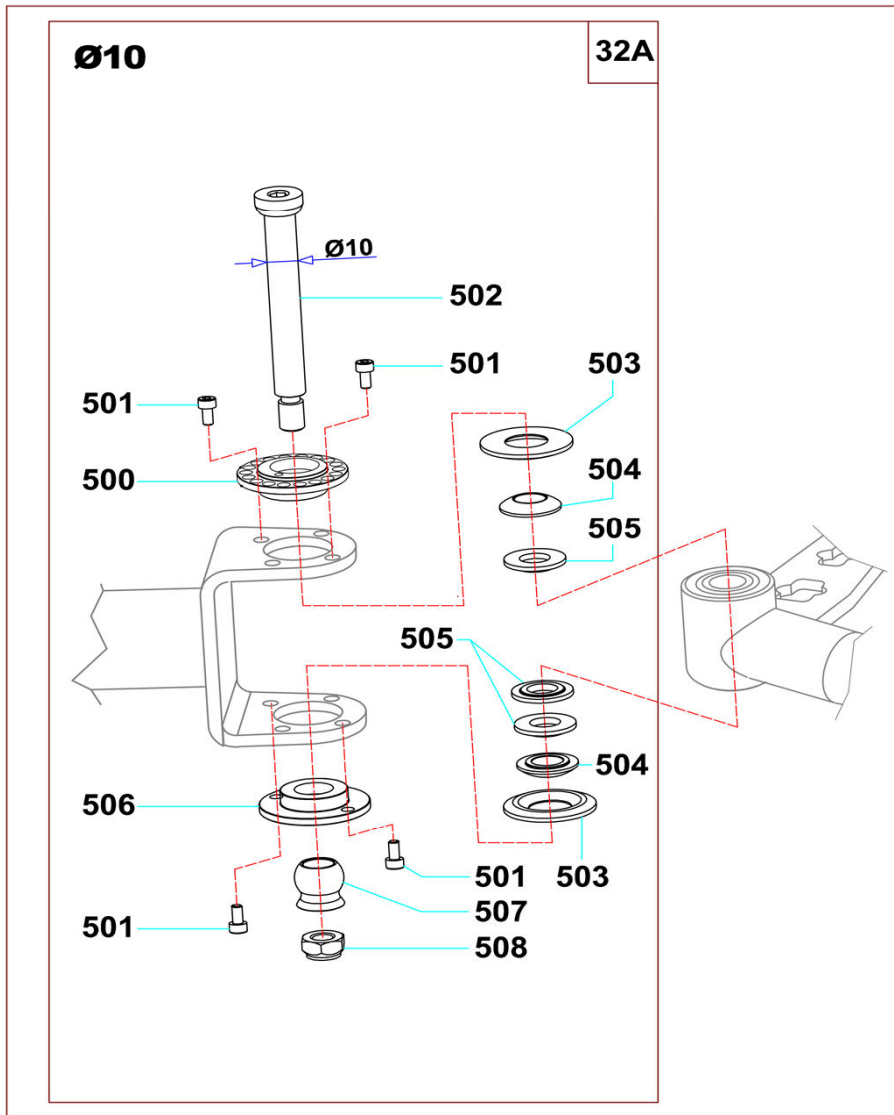


DREAMER OK OKJ RT20 - OPTIONAL 1

Pos.	Cod.	Descrizione	Description	Qt.	Unit Price KRW
16C	1000-114-26	Fus. compl. destro vite M8 D.25x92,5 10,25°	Compl. right spindle wheel M8 screw D.25x92,5 10,25°		247,000
16D	1000-114-24	Fus. compl. destro vite M8 D.25x92,5 10,5°	Compl. right spindle wheel M8 screw D.25x92,5 10,5°		247,000
16E	1000-114-28	Fus. compl. destro vite M8 D.25x92,5 10,75°	Compl. right spindle wheel M8 screw D.25x92,5 10,75°		247,000
17C	1000-114-27	Fus. compl. sinistro vite M8 D.25x92,5 10,25°	Compl. left spindle wheel M8 screw D.25x92,5 10,25°		247,000
17D	1000-114-25	Fus. compl. sinistro vite M8 D.25x92,5 10,5°	Compl. left spindle wheel M8 screw D.25x92,5 10,5°		247,000
17E	1000-114-29	Fus. compl. sinistro vite M8 D.25x92,5 10,75°	Compl. left spindle wheel M8 screw D.25x92,5 10,75°		247,000
480	1000-117	Cuscinetto D.8xD.22x7 608 2RS	Bearing D.8xD.22x7 608 2RS	4	10,500
481	1000-118-03	Distanz. cuscinetti fusello D.8,2xD.12X11,9	Spacer D.8,2xD.12x11,9 for spindle bearings	1	13,000

DREAMER OK OKJ RT20 - OPTIONAL 2

OPTIONAL 2 DREAMER OK OKJ RT20



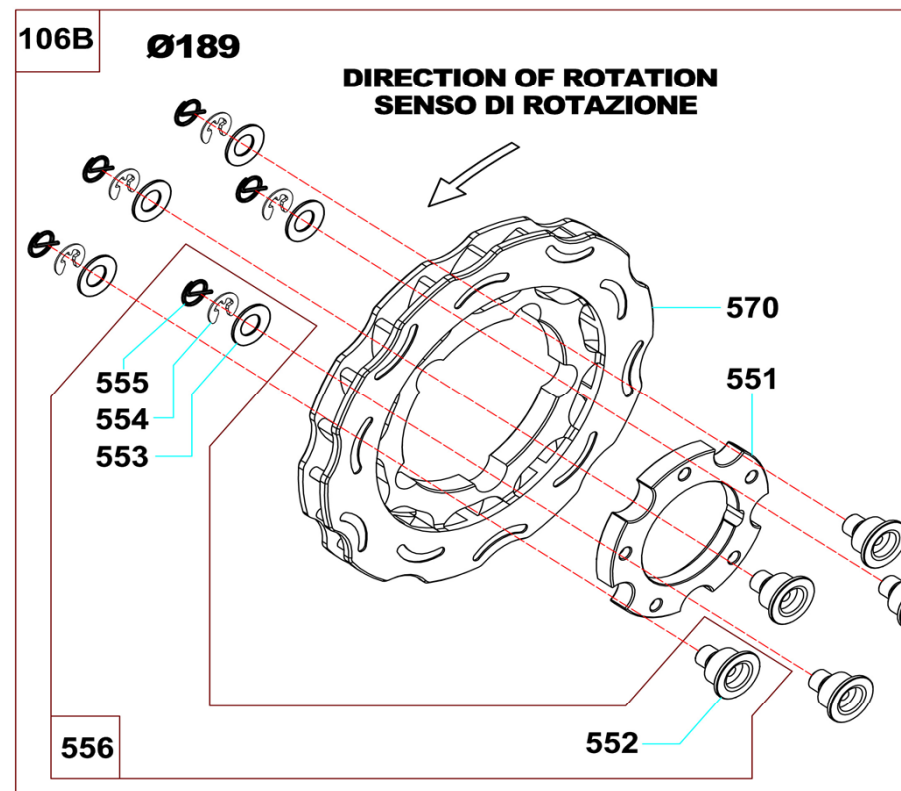
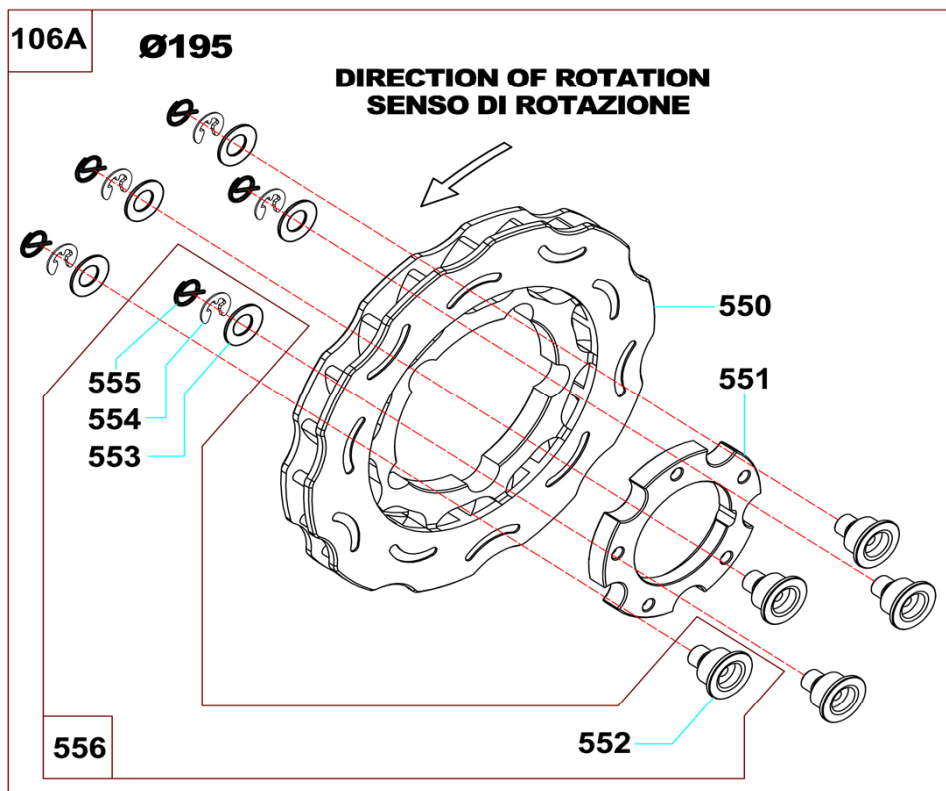
TOP-Kart

DREAMER OK OKJ RT20 - OPTIONAL 2

Pos.	Cod.	Descrizione	Description	Qt.	Unit Price KRW
32A	1000-023-29	Kit singolo vite fusello D.10	Single kit spindle wheel screw D.10	1	233,000
500	1000-116-16	Boccola eccent. flott. caster 3° - 10RF06B/B	Floating spindle bush caster 3° - 10RF06B/B	1	67,000
501	1000-182	Vite TCEI M4x8 zincata bianca	Screw TCEI M4x8 white galvanized	4	1,000
502	1000-106-09	Vite D.10 - M8 testa semiferica - 20VTF11	Semispherical head D.10-M8 screw - 20VTF11	1	42,000
503	1000-073-04	Rondella bombata D.30x2,9 - 10RBF01/B	Rounded washer D.30x2,9 - 10RBF01/B	2	9,000
504	1000-118-14	Distanziale bombato D.10xD.20x4,4 - 10DBFE1001/B	Rounded spacer D.10xD.20x4,4 - 10DBFE1001/B	2	6,000
505	1000-118-15	Distanziale D.10xD.20x2 - 10DBR10A/Z	Spacer D.10xD.20x2 - 10DBR10A/Z	3	6,000
506	1000-116-17	Boccola flottante fissa - 10RF06A/B	Not adjustable floating spindle bush - 10RF06A/B	1	58,000
507	1000-116-19	Sfera D.10x15,5 - 10VTFS10S	Sphere D.10x15,5 - 10VTFS10S	1	18,000
508	1000-015	Dado autobloccante M8x8	Self locking nut M8x8	1	1,000
32B	1000-023-28	Kit singolo vite fusello flott. D.8	Single kit floating spindle D.8 kit	1	204,000
530	1000-116-16	Boccola eccent. flott. caster 3° - 10RF06B/B	Floating spindle bush caster 3° - 10RF06B/B	1	67,000
531	1000-182	Vite TCEI M4x8 zincata bianca	Screw TCEI M4x8 white galvanized	4	1,000
532	1000-116-18	Sfera D.8x9 - 10VTFSE8A/Z	Sphere D.8x9 - 10VTFSE8A/Z	2	9,500
533	1000-106-05	Vite M8x89 testa semisferica e cava seeger	M8x89 semispherical head nut with seeger groove	1	19,500
534	1000-073-04	Rondella bombata D.30x2,9 - 10RBF01/B	Rounded washer D.30x2,9 - 10RBF01/B	2	9,000
535	1000-118-13	Distanz. bombato D.8xD.20x4,4 - 10DBFE0801/B	Rounded spacer D.8xD.20x4,4 - 10DBFE0801/B	2	6,000
536	1000-118-06	Distanziale fusello D.8xD.30x2,25	Spindle spacer D.8xD.30x2,25	1	9,000
537	1000-051	Distanziale fusello D.8xD.20x3,4 zinc. bianco	Spindle spacer D.8xD.20x3,4 white galvaniz.	1	4,000
538	1000-116-17	Boccola flottante fissa - 10RF06A/B	Not adjustable floating spindle bush - 10RF06A/B	1	58,000
539	1000-015	Dado autobloccante M8x8	Self locking nut M8x8	1	1,000

DREAMER OK OKJ RT20 - OPTIONAL 3

OPTIONAL 3 DREAMER OK OKJ RT20



DREAMER OK OKJ RT20 - OPTIONAL 3

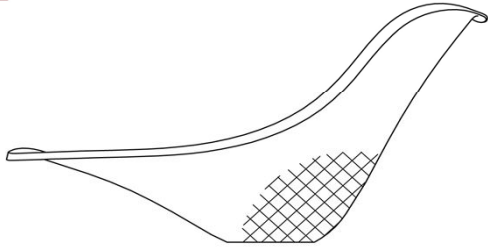
Pos.	Cod.	Descrizione	Description	Qt.	Unit Price KRW
106A	1010-FBG-101	Disco freno completo autoventilante flottante Ø195 - V09/10 destro	Complete right ventilated/floating disc Ø195 - V09/10		
550	1010-FBG-36	Disco freno poster. nudo autov. flott. Ø195x18 V09/10 - AFS.01727	Rear ventilated floating disc Ø195x18 only V09/10 - AFS.01727	1	267,500
551	1010-FBG-05	Flangia disco posteriore V05/09 - SAN.01592	Rear disc flange V05/09 - SAN.01592	1	44,500
552	1010-FBG-24	Bussola disco post. V05/09 - SBN.01660	Rear disc float bush V05/09 SBN.01660	5	12,000
553	1010-FBG-25	Rondella elastica D.10,2xD.20x1 disco post. V05/09 - AFN.01677	Rear disc elastic washer D.10,2xD.20X1 V05/09 - AFN.01677	5	2,000
554	1000-147-02	Anello di arresto Benzing D.8	Lock ring Benzing D.8	5	1,000
555	1000-147-05	Molla di sicurezza D.i.10x1	Safety spring D.i.10x1	5	25,000
556	1010-FBG-04	Bussola disco post. V05/09 completa - FK0.01660	Complete rear disc float bush V05/09 - FK0.01660	1	19,000
106B	1010-FBG-102	Disco freno completo autoventilante flottante Ø189 - V05/09/10 destro	Complete right ventilated/floating disc Ø189 - V05/09/10		
570	1010-FBG-02	Disco freno poster. nudo autov. flott. Ø189x18 V05/09/10 - AFS.03281	Rear ventilated floating disc Ø189x18 only V05/09/10 - AFS.03281	1	267,500

DREAMER OK OKJ RT20 - OPTIONAL 4

OPTIONAL 4

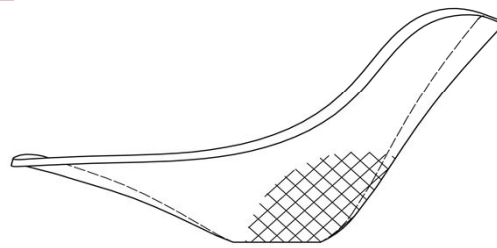
DREAMER OK OKJ RT20

590

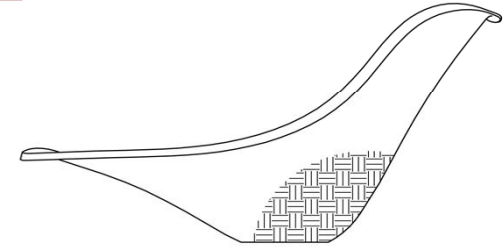


591

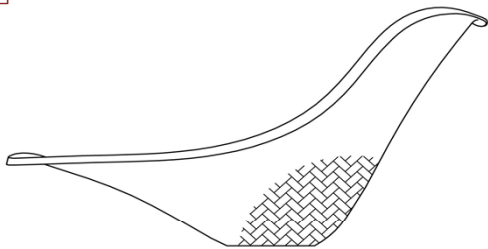
OPEN



592



593

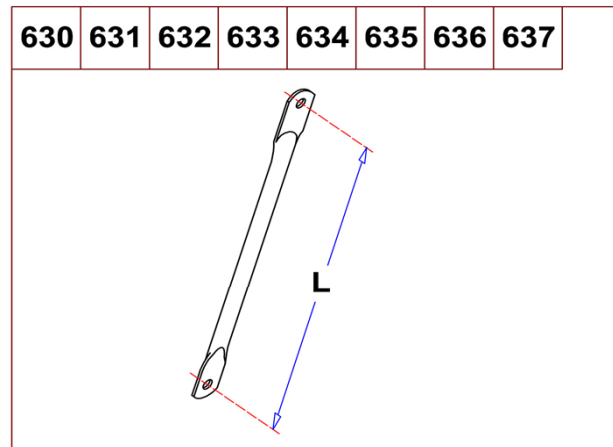
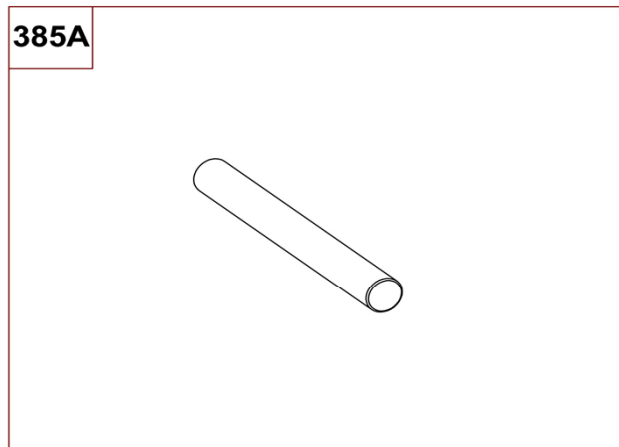
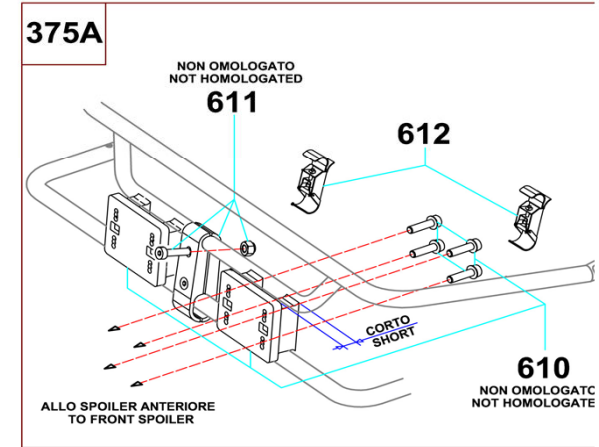
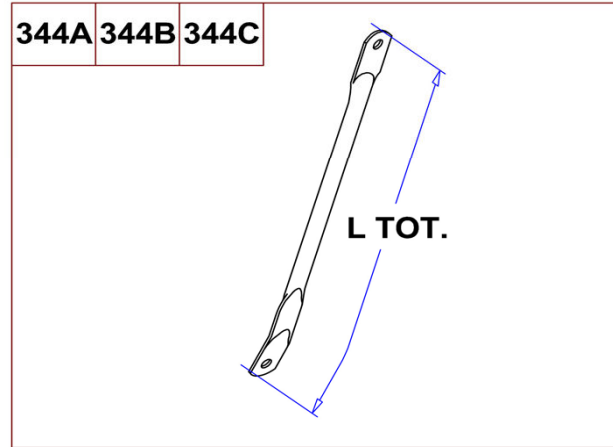
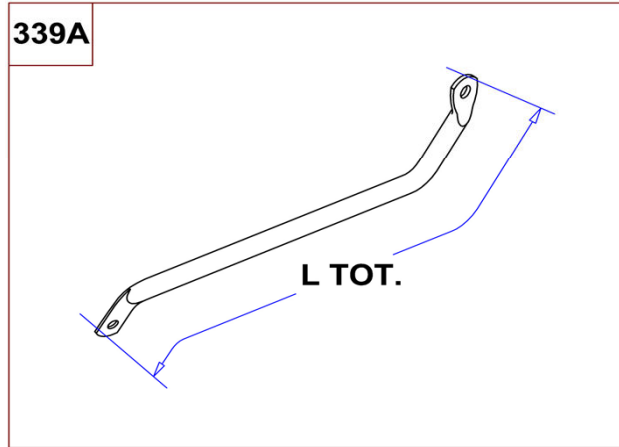


DREAMER OK OKJ RT20 - OPTIONAL 4

SEDILI F6 FONDO PIATTO ROMBO SILVER D3 - SEATS F6 FLAT BOTTOM ROMBO SILVER D3					
Pos.	Cod.	Descrizione	Description	Qt.	Unit Price KRW
590	1000-020-13	Sedile IMAF F6 SILVER ROMBO D3 - mis. XS	IMAF F6 SILVER ROMBO D3 seat - size XS		246,500
	1000-020-11	Sedile IMAF F6 SILVER ROMBO D3 - mis. 1	IMAF F6 SILVER ROMBO D3 seat - size 1		246,500
	1000-020-14	Sedile IMAF F6 SILVER ROMBO D3 - mis. 1+	IMAF F6 SILVER ROMBO D3 seat - size 1+		246,500
	1000-020-15	Sedile IMAF F6 SILVER ROMBO D3 - mis. 2	IMAF F6 SILVER ROMBO D3 seat - size 2		246,500
	1000-020-16	Sedile IMAF F6 SILVER ROMBO D3 - mis. 3	IMAF F6 SILVER ROMBO D3 seat - size 3		246,500
	1000-020-17	Sedile IMAF F6 SILVER ROMBO D3 - mis. 4	IMAF F6 SILVER ROMBO D3 seat - size 4		246,500
	1000-020-18	Sedile IMAF F6 SILVER ROMBO D3 - mis. 5	IMAF F6 SILVER ROMBO D3 seat - size 5		246,500
591	1000-020-19	Sedile IMAF F6 SILVER ROMBO D3 APERTO - misura 1+	IMAF F6 SILVER ROMBO D3 seat OPEN - size 1+		246,500
	1000-020-20	Sedile IMAF F6 SILVER ROMBO D3 APERTO misura 2	IMAF F6 SILVER ROMBO seat OPEN - size 2		246,500
	1000-020-21	Sedile IMAF F6 SILVER ROMBO D3 APERTO misura 3	IMAF F6 SILVER ROMBO seat OPEN - size 3		246,500
SEDLI F6 FONDO PIATTO VETRORESINA - SEATS F6 FLAT BOTTOM FIBERGLASS					
592	1000-020-02	Sedile IMAF F6 VETRORESINA SOFT - mis. 1	IMAF F6 FIBERGLASS SOFT seat - size 1		187,000
	1000-020-22	Sedile IMAF F6 VETRORESINA SOFT - mis. 1+	IMAF F6 FIBERGLASS SOFT seat - size 1+		187,000
	1000-020-23	Sedile IMAF F6 VETRORESINA SOFT - mis. 2	IMAF F6 FIBERGLASS SOFT seat - size 2		187,000
593	1000-020-24	Sedile IMAF F6 VETROR. EXTRA SOFT - mis. 1	IMAF F6 FIBERGLASS EXTRA SOFT seat - size 1		187,000
	1000-020-25	Sedile IMAF F6 VETROR. EXTRA SOFT - mis. 1+	IMAF F6 FIBERGLASS EXTRA SOFT seat - size 1+		187,000
	1000-020-26	Sedile IMAF F6 VETROR. EXTRA SOFT - mis. 2	IMAF F6 FIBERGLASS EXTRA SOFT seat - size 2		187,000

DREAMER OK OKJ RT20 - OPTIONAL 5

OPTIONAL 5 DREAMER OK OKJ RT20

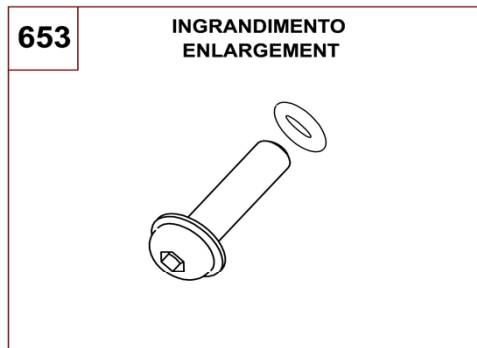
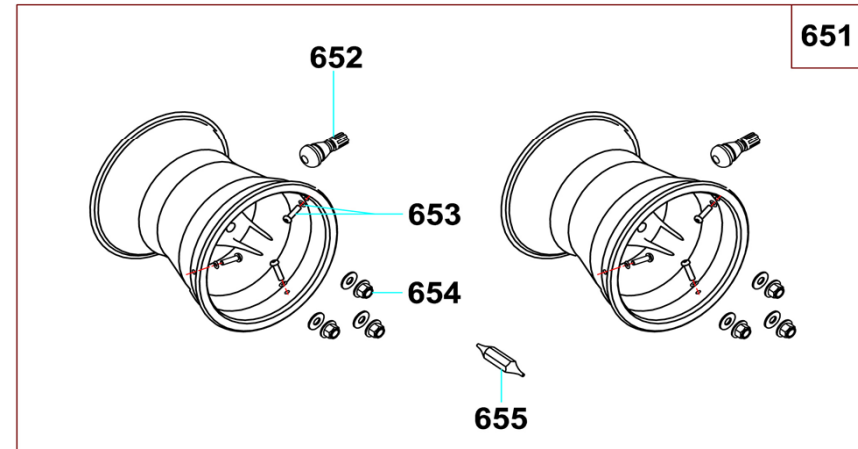
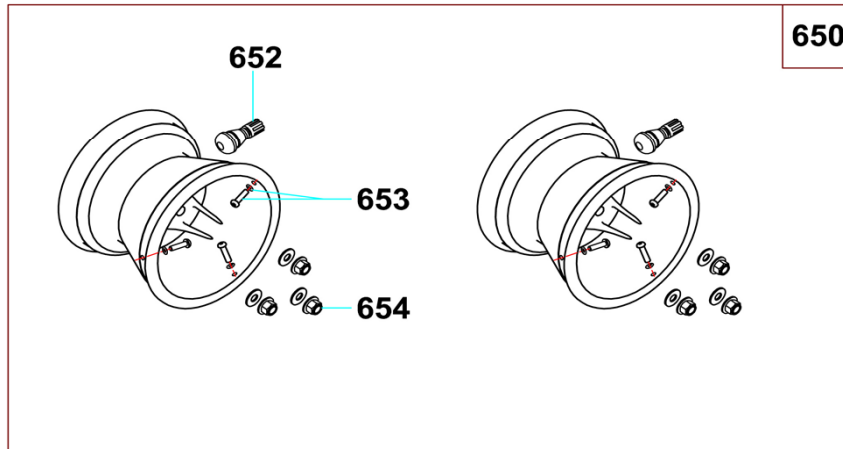


DREAMER OK OKJ RT20 - OPTIONAL 5

Pos.	Cod.	Descrizione	Description	Qt.	Unit Price KRW
339A	1000-034	Staffa sedile curva L TOT. 410mm	Bended seat strut L TOT. 410mm		16,000
344A	1000-034-06	Staffa sedile diritta L TOT. 325mm	Straight seat strut L TOT. 325mm		16,000
344B	1000-034-02	Staffa sedile diritta L TOT. 350mm	Straight seat strut L TOT. 350mm		16,000
344C	1000-034-01	Staffa sedile diritta L TOT. 400mm	Straight seat strut L TOT. 400mm		16,000
375A	1000-074-57	Kit completo fissagg. spoiler NON OMOLOG.	Complete fastening kit for spoiler NOT HOMOLOGATED		103,000
385A	1000-156-20	Barra torsione In Nylon D.30x285 cilindrica	Cylindrical nylon torsion bar D.30x285		107,000
610	1000-074-56	Coppia placche corte fiss. spoiler con 8 viti	Short couple of spoiler fixing plate with 8 screws	1	24,000
611	1000-074-21	Morsetto azzurro con 2 viti e dadi	Blue clamp with 2 screws and nuts	1	10,500
612	1000-074-54	Coppia ganci a scatto spoiler	Couple of snap spoiler fastener	1	73,000
630	1000-034-16	Staffa sedile diritta interasse 220mm	Straight seat strut w.b. 220mm		19,500
631	1000-034-17	Staffa sedile diritta interasse 230mm	Straight seat strut w.b. 230mm		19,500
632	1000-034-11	Staffa sedile diritta interasse 240mm	Straight seat strut w.b. 240mm		19,500
633	1000-034-12	Staffa sedile diritta interasse 250mm	Straight seat strut w.b. 250mm		19,500
634	1000-034-13	Staffa sedile diritta interasse 260mm	Straight seat strut w.b. 260mm		19,500
635	1000-034-14	Staffa sedile diritta interasse 270mm	Straight seat strut w.b. 270mm		19,500
636	1000-034-15	Staffa sedile diritta interasse 280mm	Straight seat strut w.b. 280mm		19,500
637	1000-034-18	Staffa sedile diritta interasse 300mm	Straight seat strut w.b. 300mm		19,500

DREAMER OK OKJ RT20 - OPTIONAL 6

OPTIONAL 6 DREAMER OK OKJ RT20



DREAMER OK OKJ RT20 - OPTIONAL 6

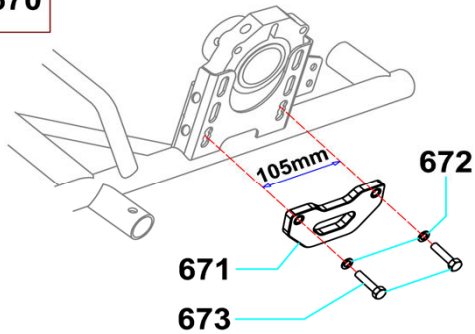
Pos.	Cod.	Descrizione	Description	Qt.	Unit Price KRW
650	1000-875-30	Coppia cerchi DOUGLAS MG 5" 132LV comp.	Couple wheel rims DOUGLAS MG 5" 132 LV compl.		196,000
651	1000-875-31	Coppia cerchi DOUGLAS MG 5" 212LV comp.	Couple wheel rims DOUGLAS MG 5" 212LV compl.		205,000
652	1000-091	Valvola per cerchio ruota tubeless	Tubeless wheel rim valve		3,500
653	1000-876-04	Vite anti stallon. con OR DOUGLAS (conf. 100PZ)	Bead locks with OR DOUGLAS (package of 100PCS)	100 min	149,000
654	1000-021-05	Dado flangiato ch.10 DOUGLAS (confez. 50PZ)	Flanged nut hexag. 10 DOUGLAS (package of 50PCS)	50 min	27,000
655	1000-218-10	Chiave DOUGLAS smontaggio valvola	DOUGLAS valve disassembly key		6,000

DREAMER OK OKJ RT20 - ACCESSORI - ACCESSORIES

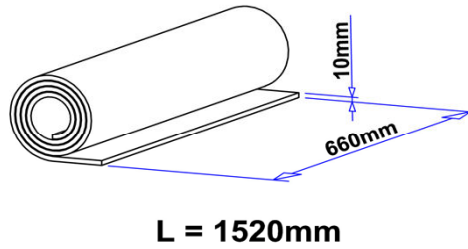
ACCESSORI - ACCESSORIES

DREAMER OK OKJ RT20

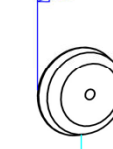
670



674

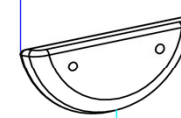


Ø88x20mm



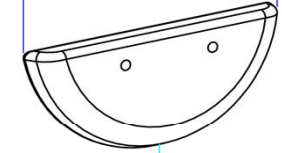
675
1Kg

165x21mm



676
2Kg

218x26mm



677
4Kg

678 679

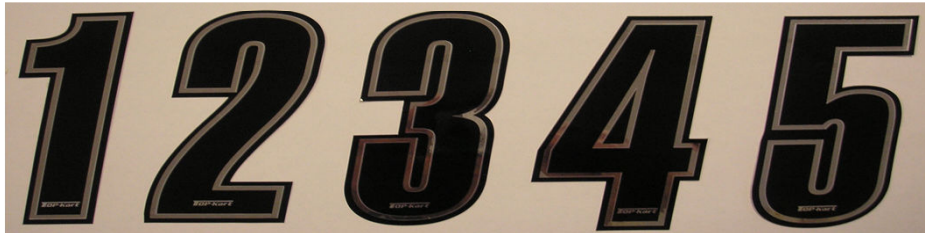
680

681

682

683

684



685

686

687

688

689

690

NOME SUGLI ADESIVI A RICHIESTA
NAME ON THE STICKERS AT REQUEST

DESTRO - RIGHT



SINISTRO - LEFT



DREAMER OK OKJ RT20 - ACCESSORI - ACCESSORIES

Pos.	Cod.	Descrizione	Description	Qt.	Unit Price KRW
670	1000-149-03	Kit protezione plastica disco freno	Plastic brake disc protection kit	1	75,000
671	1000-149-03/2	Protezione plastica disco freno	Plastic brake disc protection	1	73,000
672	1000-078-01	Rondella piana D.8xD.18x3 zincata bianca	Flat washer D.8xD.18x3 white galvanized	2	1,000
673	NORM-228	Vite TE M8x35 zincata bianca	Screw TE M8x35 white galvanized	2	5,000
674	KACC-046	Rotolo spugna adesiva per sedile	Adhesive sponge roll for seat		90,000
675	1000-214	Zavorra circolare 1Kg	Circular ballast 1Kg		37,000
676	1000-214-01	Zavorra mezza luna 2Kg	Half moon ballast 2Kg		74,000
677	1000-214-02	Zavorra mezza luna 4Kg	Half moon ballast 4Kg		147,000
678	1000-098-14	Set numeri adesivi racing "0-9" totale 100 pz. Include : n° 10 adesivi di ogni numero	Set racing sticker number "0-9" total 100 pcs. Includes : N° 10 stickers of each number	1	237,000
679	1000-098-15	Set numeri adesivi racing "0-9" totale 500 pz. Include : n° 50 adesivi di ogni numero	Set racing sticker number "0-9" total 500 pcs. Includes : N° 50 stickers of each number	1	1,038,000
680	1000-098-04	Numero adesivo singolo racing "1"	Single racing sticker number "1"	1	3,600
681	1000-098-05	Numero adesivo singolo racing "2"	Single racing sticker number "2"	1	3,600
682	1000-098-06	Numero adesivo singolo racing "3"	Single racing sticker number "3"	1	3,600
683	1000-098-07	Numero adesivo singolo racing "4"	Single racing sticker number "4"	1	3,600
684	1000-098-08	Numero adesivo singolo racing "5"	Single racing sticker number "5"	1	3,600
685	1000-098-09	Numero adesivo singolo racing "6"	Single racing sticker number "6"	1	3,600
686	1000-098-10	Numero adesivo singolo racing "7"	Single racing sticker number "7"	1	3,600
687	1000-098-11	Numero adesivo singolo racing "8"	Single racing sticker number "8"	1	3,600
688	1000-098-12	Numero adesivo singolo racing "9"	Single racing sticker number "9"	1	3,600
689	1000-098-13	Numero adesivo singolo racing "0"	Single racing sticker number "0"	1	3,600
690	1000-072-13	Set adesivi con nome pilota Include : n° 5 adesivi destri n° 5 adesivi sinistri	Stickers set with driver name Includes : n° 5 right stickers n° 5 left stickers	1	119,000

ACCESSORI/ACCESSORIES - Non forniti con il telaio/Not supplied with the chassis



DREAMER OK OKJ RT20 INFORMAZIONI GENERALI
DREAMER OK OKJ RT20 GENERAL INFO

Pos.	Cod.	Descrizione	Description	Qt.	Unit Price KRW
1	1000-T04-01	Telaio Nuovo Top-Kart Dreamer OK OKJ- RT20 Magnesio Telaio Completo modello omologato CIK FIA	Chassis New Top-Kart Dreamer OK OKJ - RT20 Magnesium Complete chassis model CIK FIA approved	1	5,900,000

Attenzione ! : Il telaio sopra indicato e relativo prezzo si intende SEMPRE SENZA pneumatici.

Attention ! :The above indicated chassis and price is intended ALWAYS WITHOUT tires.

Attenzione ! : L' imballo può contenere fino a 2 telai. Le dimensioni e i pesi indicati sono comprensivi di pallet in legno.

Attention ! : The box contents up to 2 chassis. The indicated dimensions and weights include wood pallet.

Top-Kart S.R.L. si riserva il diritto di effettuare modifiche ai propri prodotti e ai propri prezzi in qualsiasi momento e senza preavviso.

Top-Kart S.R.L. non si ritiene responsabile per eventuali differenze fra informazioni del catalogo e i relativi prodotti.

I prezzi indicati sono IVA ESCLUSA e franco fabbrica.

Top-Kart S.R.L. reserves the right to make modifications on the products and on the prices at any moment without notice.

Top-Kart S.R.L. is not responsible for eventual differences between the catalogue information and the products.

The indicated prices are without VAT and ex-works.



4-3, Pyeongchon 2-ro 1beon-gil, Giheung-gu, Yongin-si Gyeonggi-do, Republic of Korea

Tel. 070 4353 6600 - Fax 0303 3130 6600

Email. admin@dma.ac.kr